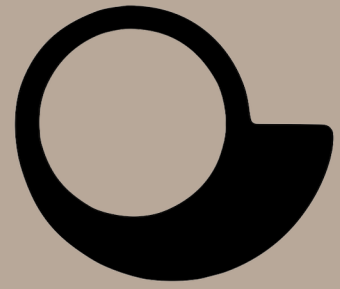


# AIR-LIFTER

You need never lift or carry your sewing machine again.

It couldn't be easier or more effective, simply push down on the top of your sewing machine and it will lift your machine to the desired position for you.

- Our lifter system can be adjusted to fit almost all domestic sewing machines, old or new.
- The 3-step air lift allows you to go between free arm, flat bed and storage positions.



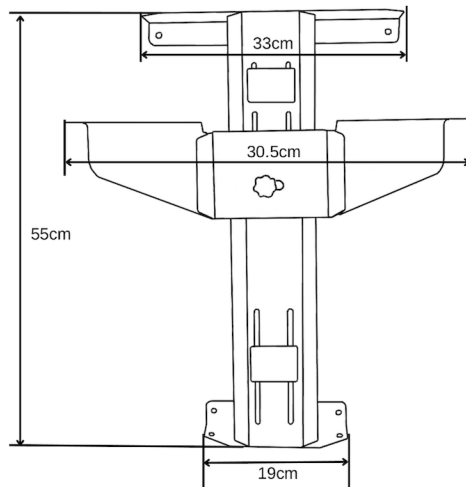
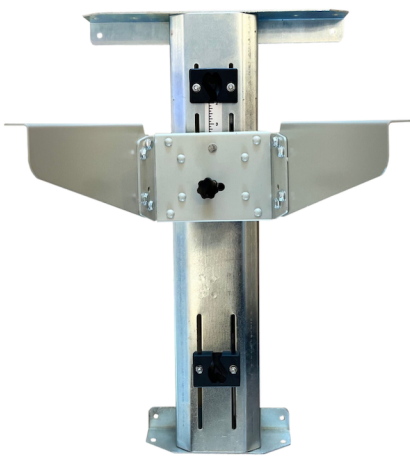
Stored position



Inset/Insert position (flat-bed)



Table-top position (free-arm)



1 Now made with a deeper drop and a more powerful gas lifter to cope with today's larger, taller and heavier sewing machines.

2 Smooth and simple to operate.

3 3 adjustable stop positions with automatic push-down release mechanism.

4 Durable zinc plated finish on the mast.

5 Solid movement on 8 steel ball roller bearings.

6 Can be purchased separately for a project of your own.