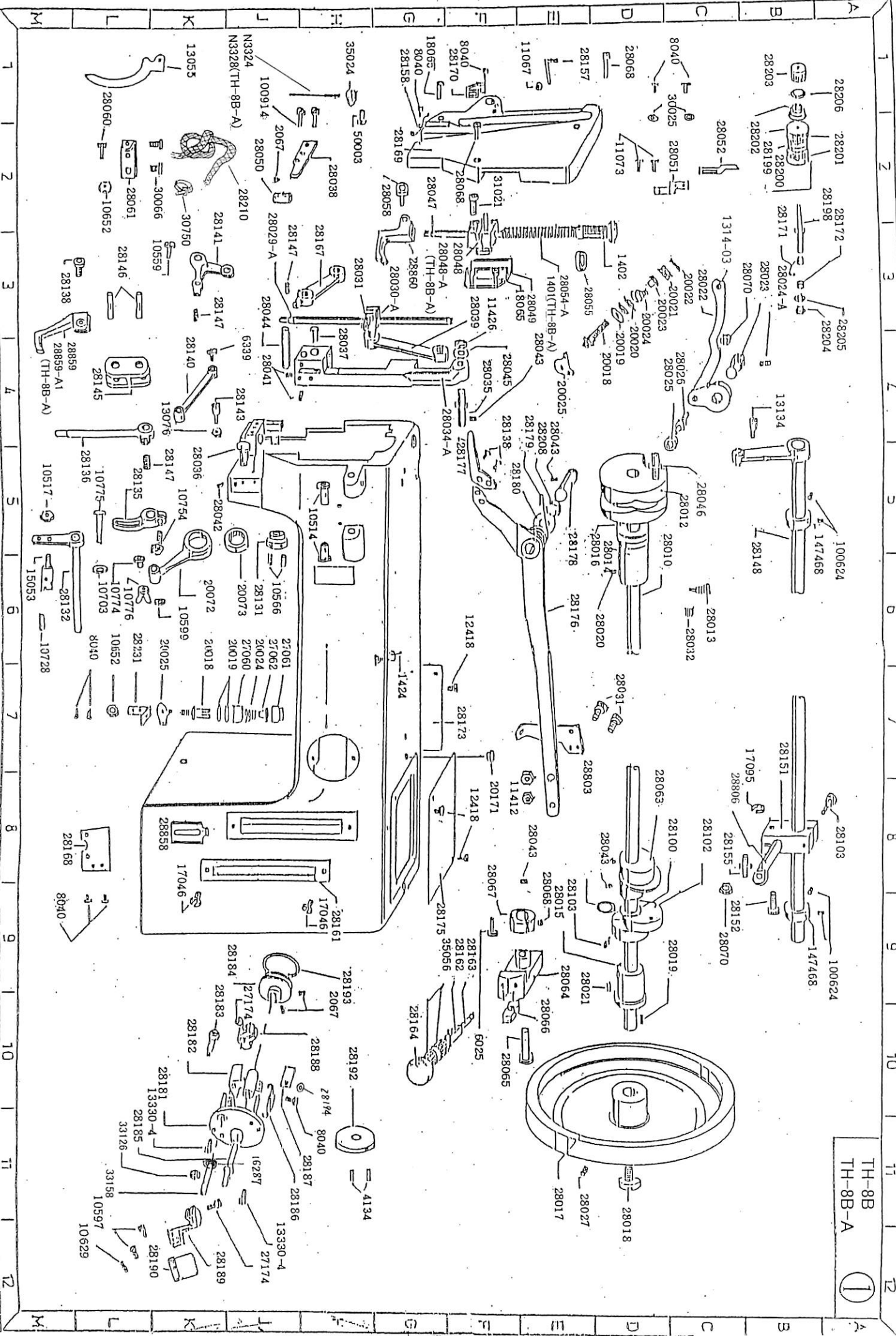


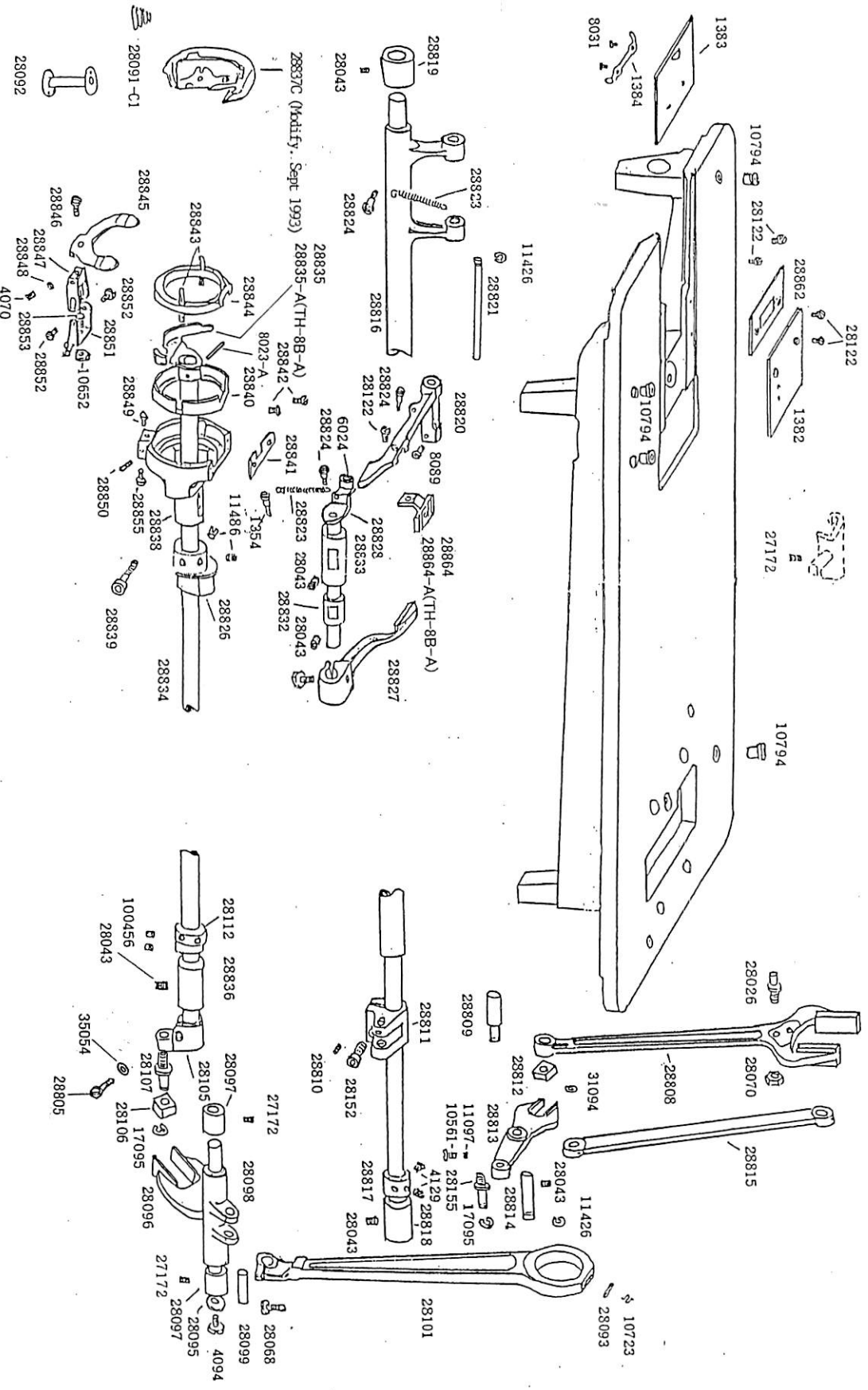
TH-8B  
TH-8B-A



# SEIKO PARTS LIST

TH-8B  
TH-8B-A

(2)

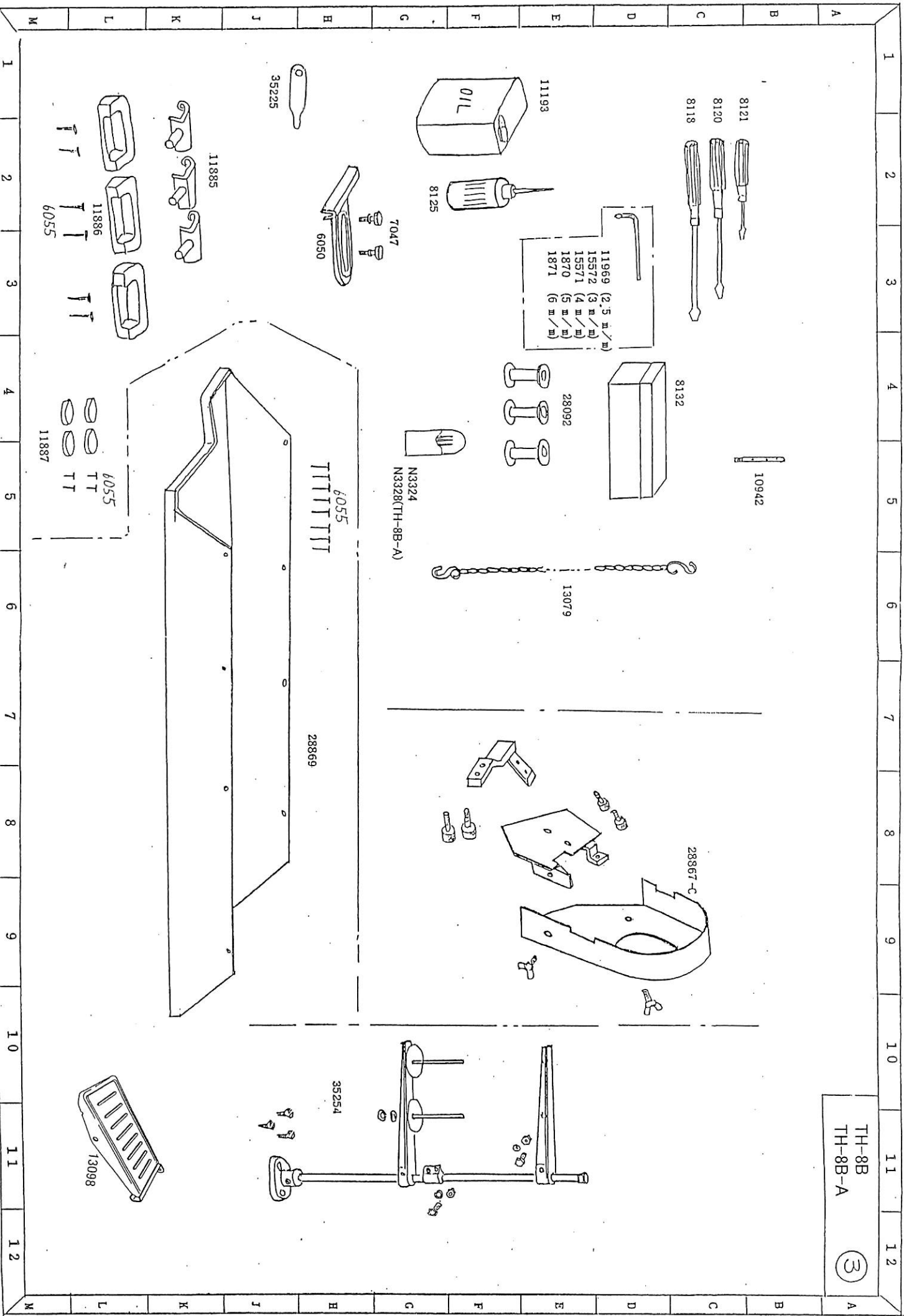


28837C (Modify. Sept 1993)

|   |   |   |   |   |   |   |   |   |   |    |    |    |
|---|---|---|---|---|---|---|---|---|---|----|----|----|
| A | 1 | 2 | 3 | 4 | 5 | 6 | 7 | 8 | 9 | 10 | 11 | 12 |
| B |   |   |   |   |   |   |   |   |   |    |    |    |
| C |   |   |   |   |   |   |   |   |   |    |    |    |
| D |   |   |   |   |   |   |   |   |   |    |    |    |
| E |   |   |   |   |   |   |   |   |   |    |    |    |
| F |   |   |   |   |   |   |   |   |   |    |    |    |
| G |   |   |   |   |   |   |   |   |   |    |    |    |
| H |   |   |   |   |   |   |   |   |   |    |    |    |
| J |   |   |   |   |   |   |   |   |   |    |    |    |
| K |   |   |   |   |   |   |   |   |   |    |    |    |
| L |   |   |   |   |   |   |   |   |   |    |    |    |
| M |   |   |   |   |   |   |   |   |   |    |    |    |

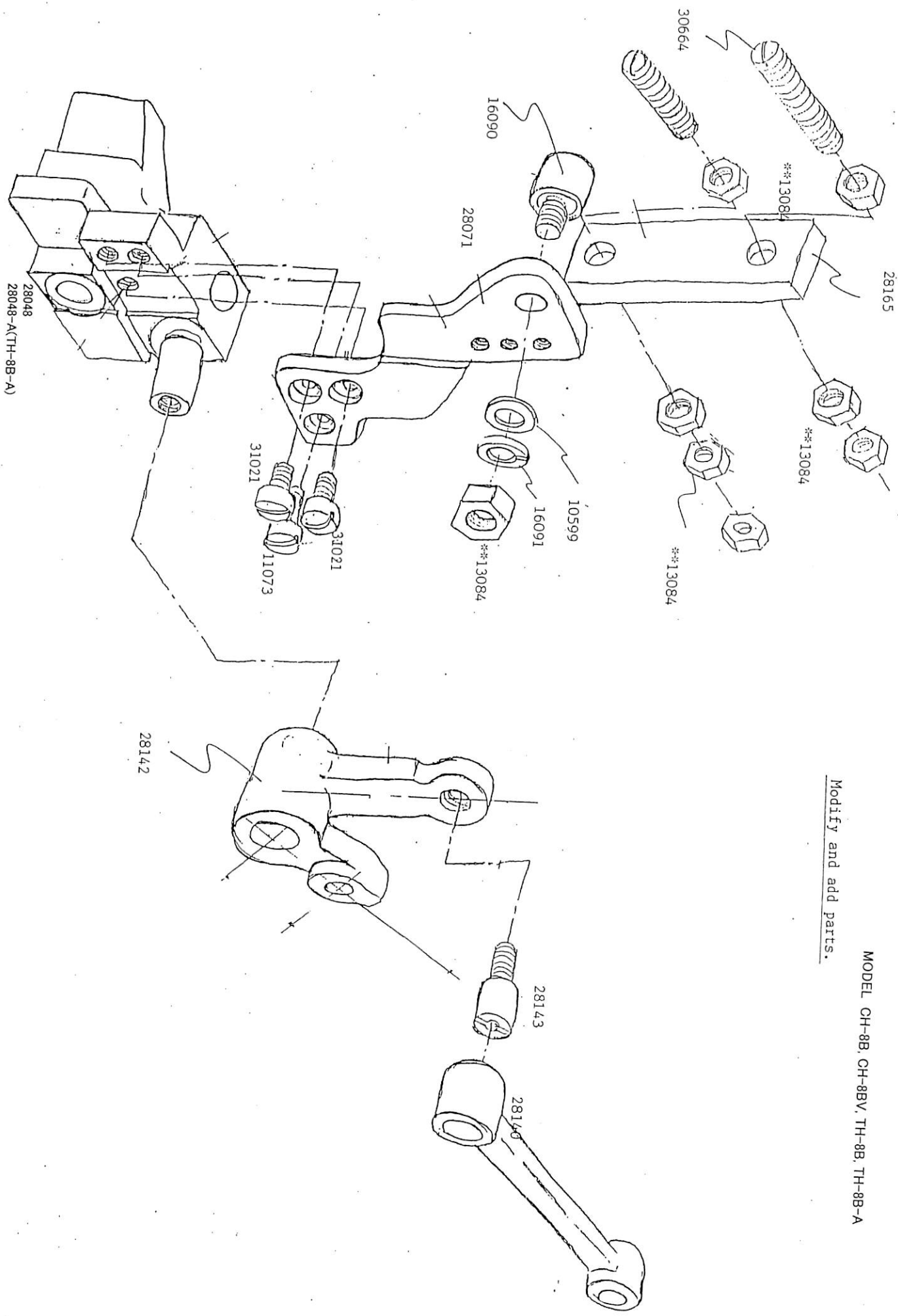
TH-8B  
TH-8B-A

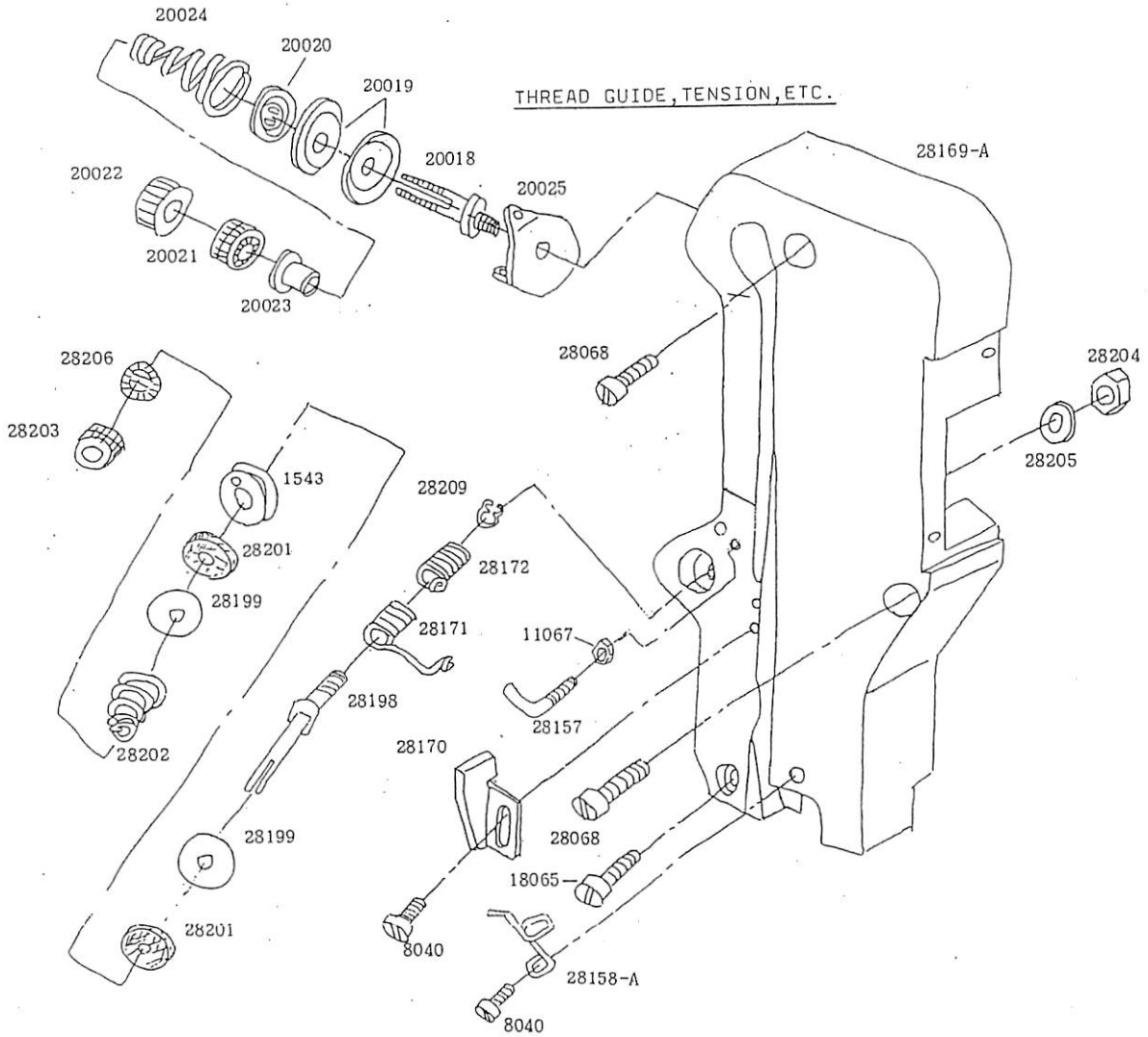
(3)



MODEL CH-8B, CH-8BV, TH-8B, TH-8B-A

Modify and add parts.





| PARTS NUMBER  | DESCRIPTION            | PARTS NUMBER  | DESCRIPTION            |
|---------------|------------------------|---------------|------------------------|
| 28168-A       | FACE PLATE             | 20018(150326) | THREAD CONTROLLER STUD |
| 20019         | TENSION DISC           | 20020         | TENSION RELEASE WASHER |
| 20021         | TENSION THUMB NUT      | 20022(153672) | NUT                    |
| 20023(143657) | WASHER                 | 20024         | RELEASE SPRING(THICK)  |
| 20025         | THREAD GUIDE           | 28068         | SCREW                  |
| 28204         | TENSION STUD NUT       | 28205         | TENSION STUD WASHER    |
| 28203         | TENSION THUMB NUT      | 28206         | T/THUMB NUT STOPPER    |
| 28202         | TENSION DISC SPRING    | 28199         | TENSION WASHER         |
| 28201         | TENSION OIL PAD        | 1543          | TENSION DISC           |
| 28199         | TENSION WASHER         | 28198         | TENSION STUD (LOWER)   |
| 28171         | THREAD TAKE UP SPRING  | 28172         | REGULATING SPRING      |
| 28209         | STOP RING              | 11067         | NUT                    |
| 28157         | THREAD GUIDE(MIDDLE)   | 8040          | PRESSER FOOT SCREW     |
| 28170         | CONTROLLER SPRING STOP | 28068         | SCREW                  |
| 18065         | SCREW                  | 28158-A       | THREAD GUIDE(LOWER)    |

