

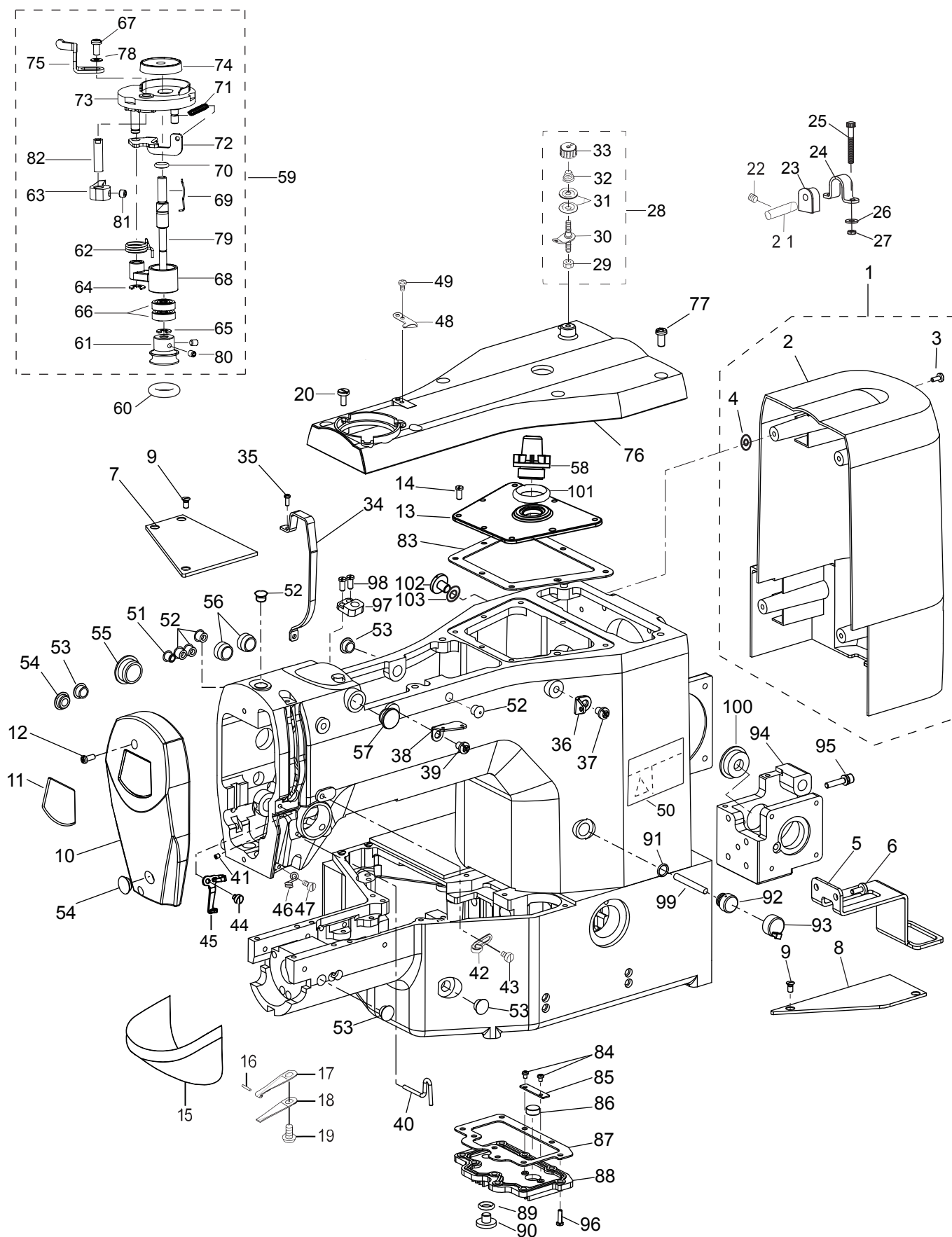
# CONTENTS

## 目 录

|  |    |
|--|----|
| 1.FRAME&MISCELLANEOUS COMPONENTS.....                      | 1  |
| 机壳部件   |    |
| 2.MAIN SHAFT&NEEDLE BAR COMPONENTS.....                    | 4  |
| 挑线刺布部件   |    |
| 3.SHUTTLE DRIVER SHAFT COMPONENTS.....                     | 7  |
| 下轴部件   |    |
| 4.LIFT PRESSERS COMPO NENT.....                            | 9  |
| 抬压部件   |    |
| 5.TENSION RELEASE&THREAD TENSION COMPONENTS.....           | 12 |
| 松线部件   |    |
| 6.TENSION RELEASE&THREAD TRIMMER MECHANISM COMPONENTS..... | 14 |
| 剪线部件   |    |
| 7.FEED MECHANISM COMPONENTS.....                           | 16 |
| 送料部件   |    |
| 8.PENUMATIC COMPONENTS.....                                | 19 |
| 气动部件   |    |
| 9.SENSOR COMPONENTS.....                                   | 21 |
| 自动控制部件   |    |
| 10. THREAD STAND COMPONENTS.....                           | 23 |
| 线架部件   |    |
| 11. ACCESSORIES PART COMPONENTS.....                       | 25 |
| 附件   |    |
| 12. WIPER MECHANISM COMPONENTS.....                        | 27 |
| 扫线部件   |    |

# 1.FRAME&MISCELLANEOUS COVER COMPONENTS

## 机壳部件



## 1、机壳部件FRAME&MISCELLANEOUS COVER COMPONENTS

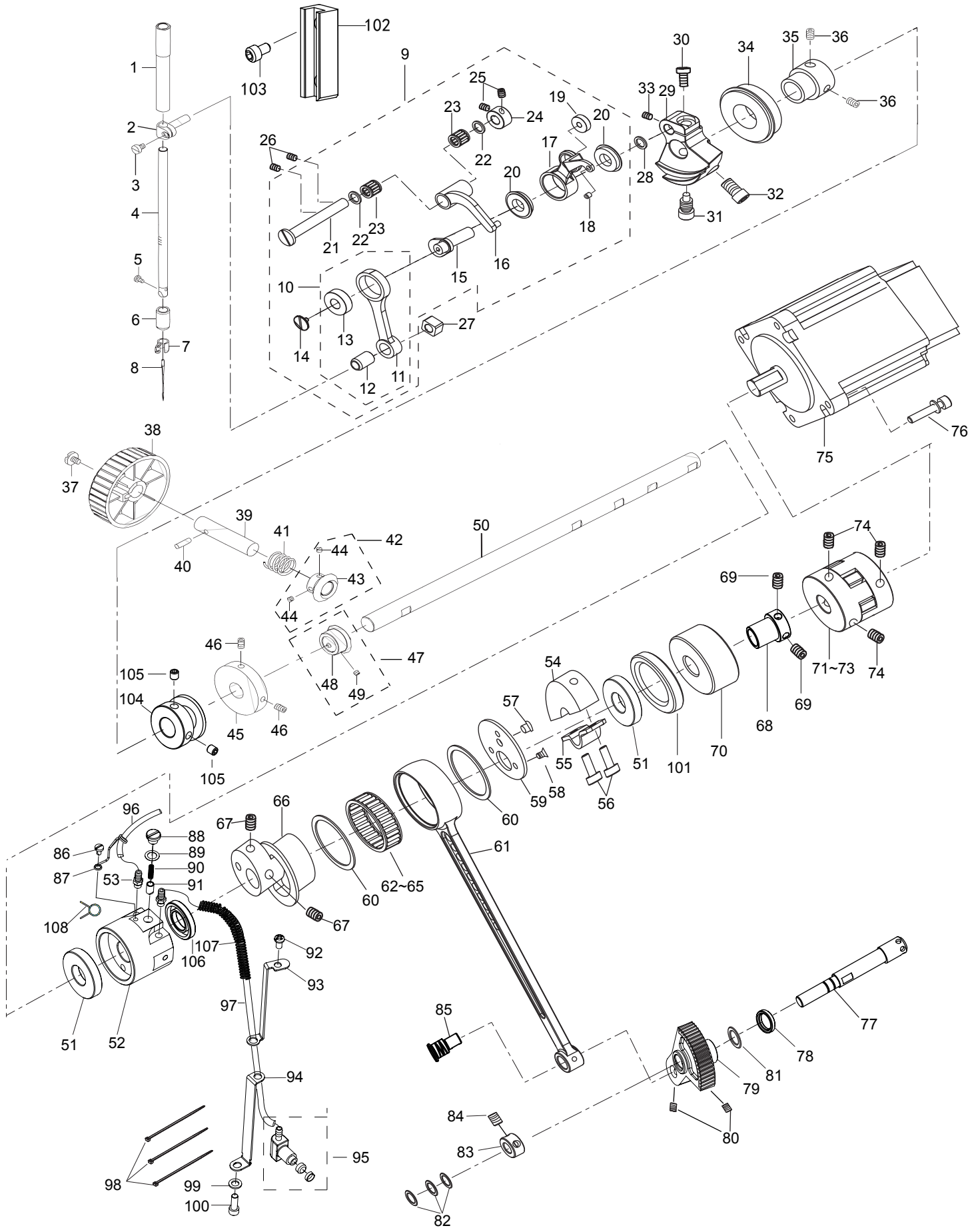
| 序号<br>Ref.No. | 件号<br>Part No. | 名 称     | Description                   | 数量<br>QTY |
|---------------|----------------|---------|-------------------------------|-----------|
| 1             | 20006929       | 后罩组件    | MOTOR COVER ASM               | 1         |
| 2             | 20004107       | 后罩      | MOTOR COVER                   | 1         |
| 3             | 10011101       | 螺钉      | SCREW                         | 4         |
| 4             | 10011135       | 垫片      | STOPPER                       | 4         |
| 5             | 10008600       | 电线固定板   | PROTECTION_PLATE              | 1         |
| 6             | 10011101       | 螺钉      | SCREW                         | 2         |
| 7             | 20004112       | 左盖板     | BED COVER LEFT                | 1         |
| 8             | 20004113       | 右盖板     | BED COVER RIGHT               | 1         |
| 9             | 10011142       | 螺钉      | SCREW                         | 5         |
| 10            | 20004104       | 面板☆     | FACE COVER                    | 1         |
| 11            | 10005468       | 面板装饰牌☆  | PLATE                         | 1         |
| 12            | 10011150       | 螺钉      | SCREW                         | 2         |
| 13            | 10037217       | 上密封盖板   | UPPER SEAL PLATE              | 1         |
| 14            | 10013567       | 螺钉      | SCREW                         | 7         |
| 15            | 20001911       | 梭床罩     | CYLINDER ARM CAP              | 1         |
| 16            | 10010815       | 销       | PIN                           | 1         |
| 17            | 10011420       | 梭床罩弹簧A  | HOOK COVER PRESSER SPRING A   | 1         |
| 18            | 10010807       | 梭床罩弹簧B  | HOOK COVER PRESSER SPRING B   | 1         |
| 19            | 10010808       | 螺钉      | SCREW                         | 1         |
| 20            | 10011101       | 螺钉      | SCREW                         | 3         |
| 21            | 10011141       | 销       | PIN                           | 2         |
| 22            | 10011232       | 螺钉      | SCREW                         | 2         |
| 23            | 10011137       | 机头胶垫    | HINGE RUBBER                  | 2         |
| 24            | 10011160       | 支撑固定架   | BED HINGE                     | 2         |
| 25            | 10011147       | 螺钉      | SCREW                         | 4         |
| 26            | 10003076       | 垫圈      | WASHER                        | 4         |
| 27            | 10003084       | 螺母      | NUT                           | 8         |
| 28            | 10011595       | 绕线夹线器   | BOBBIN THREAD TENSION ASM     | 1         |
| 29            | 10004507       | 螺母      | NUT                           | 1         |
| 30            | 10004504       | 中过线板组件  | BOBBIN THREAD TENSION ROD ASM | 1         |
| 31            | 10004393       | 夹线板     | THEAD TENSION DISK            | 2         |
| 32            | 10004391       | 弹簧      | CONNECTING ROD SPRING         | 1         |
| 33            | 10004686       | 螺母      | NUT                           | 1         |
| 34            | 20003790       | 挑线杆防护罩  | BALANCE COVER                 | 1         |
| 35            | 10011143       | 螺钉      | SCREW                         | 2         |
| 36            | 10011145       | 单眼过线板   | THREAD GUIDE NO. 1            | 1         |
| 37            | 10011158       | 螺钉      | SCREW                         | 1         |
| 38            | 10011200       | 上过线板    | THREAD GUIDE PLATE            | 1         |
| 39            | 10011158       | 螺钉      | SCREW                         | 1         |
| 40            | 10037247       | 拦线钩     | L-SHAPEDTHREAD GUIDE A        | 1         |
| 41            | 10011887       | 螺钉      | SCREW                         | 1         |
| 42            | 10008940       | 右线钩     | ARM THREAD GUIDE A            | 1         |
| 43            | 10011142       | 螺钉      | SCREW                         | 1         |
| 44            | 10011142       | 螺钉      | SCREW                         | 1         |
| 45            | 10053336       | 中线钩     | TAKE-UP THREAD GUIDE B        | 1         |
| 46            | 10037421       | 下过线板    | ARM THREAD GUIDE B            | 1         |
| 47            | 10010668       | 螺钉      | SCREW                         | 2         |
| 48            | 10011149       | 绕线切刀    | THREAD CUTTER                 | 1         |
| 49            | 10011143       | 螺钉      | SCREW                         | 1         |
| 50            | 10008936       | 机头安全提示牌 | SAFETY LABEL                  | 1         |

## 1、机壳部件FRAME&MISCELLANEOUS COVER COMPONENTS

| 序号<br>Ref.No. | 件号<br>Part No. | 名称      | Description               | 数量<br>QTY |
|---------------|----------------|---------|---------------------------|-----------|
| 51            | 10011188       | 橡胶塞     | RUBBER PLUG               | 2         |
| 52            | 10010587       | 橡胶塞     | RUBBER PLUG               | 5         |
| 53            | 10011136       | 橡胶塞     | RUBBER PLUG               | 4         |
| 54            | 10011099       | 橡胶塞     | RUBBER PLUG               | 2         |
| 55            | 10011146       | 橡胶塞     | RUBBER PLUG               | 2         |
| 56            | 10014279       | 橡胶塞     | RUBBER PLUG               | 2         |
| 57            | 10011190       | 橡胶塞     | RUBBER PLUG               | 1         |
| 58            | 10012438       | 油窗      | OIL TANK                  | 1         |
| 59            | 10031159       | 绕线器     | BOBBIN WINDER ASM         | 1         |
| 60            | 10008773       | 橡胶轮     | RUBBER RING               | 1         |
| 61            | 10027392       | 绕线轮     | BOBBIN WINDER WHEEL       | 1         |
| 62            | 10004501       | 弹簧      | SPRING                    | 1         |
| 63            | 10027395       | 绕线定位块   | BOBBIN WINDER REGULATOR   | 1         |
| 64            | 10013038       | 挡圈      | E-RING                    | 1         |
| 65            | 10007895       | 挡圈      | E-RING                    | 1         |
| 66            | 10003517       | 625ZZ轴承 | BEARING                   | 1         |
| 67            | 10009455       | 螺钉      | SCREW                     | 1         |
| 68            | 10027388       | 摆动连杆    | BOBBIN WINDER SHAFT COMPL | 1         |
| 69            | 10031058       | 弹簧      | LATCH SPRING              | 1         |
| 70            | 10027399       | O型圈     | RUBBER RING               | 1         |
| 71            | 10027394       | 弹簧      | SPRING                    | 1         |
| 72            | 10027391       | 控制板     | ADJUSTING PLATE           | 1         |
| 73            | 10031087       | 梭心卷绕体组件 | BOBBIN FITING BASIS COMPL | 1         |
| 74            | 10027390       | 卷绕轴垫    | CUSHING                   | 1         |
| 75            | 10030709       | 卷绕手柄    | BOBBIN LEVER              | 1         |
| 76            | 20018537       | 上盖      | TOP COVER                 | 1         |
| 77            | 10011161       | 螺钉      | SCREW                     | 6         |
| 78            | 10003122       | 垫圈      | WASHER                    | 1         |
| 79            | 10031163       | 梭芯卷绕轴   | BOBBIN SHAFT              | 1         |
| 80            | 10002896       | 螺钉      | SCREW                     | 2         |
| 81            | 10012014       | 螺钉      | SCREW                     | 1         |
| 82            | 10006152       | 绕线凸轮轴   | BOBBIN CAM SHAFT          | 1         |
| 83            | 10037218       | 上密封盖板垫  | UPPER SEAL GASKET         | 1         |
| 84            | 10000040       | 螺钉      | SCREW                     | 2         |
| 85            | 10001242       | 垫板      | PLATE                     | 1         |
| 86            | 10001096       | 磁铁      | MAGNET                    | 1         |
| 87            | 10037232       | 齿轮箱盖密封垫 | GEAR BOX SEAL GASKET      | 1         |
| 88            | 10037233       | 齿轮箱底盖   | GEAR BOX COVER            | 1         |
| 89            | 10010240       | O形圈     | RUBBER RING               | 1         |
| 90            | 10008783       | 螺钉      | SCREW                     | 1         |
| 91            | 10012139       | O形圈     | RUBBER RING               | 1         |
| 92            | 10002483       | 排气阀     | EXHAUST VALVE             | 1         |
| 93            | 10008771       | 橡胶盖     | RUBBER COVER              | 1         |
| 94            | 10033242       | 剪线电机固定架 | MOTOR HOLDER              | 1         |
| 95            | 10000157       | 螺钉      | SCREW                     | 4         |
| 96            | 10013567       | 螺钉      | SCREW                     | 9         |
| 97            | 10031167       | 上盖支块    | SCREW BLOCK               | 1         |
| 98            | 10011143       | 螺钉      | SCREW                     | 2         |
| 99            | 10021559       | 销       | PIN                       | 1         |
| 100           | 10003601       | 轴承      | BEARING                   | 1         |
| 101           | 10008939       | O形圈     | RUBBER RING               | 1         |
| 102           | 10051608       | 螺钉      | SCREW                     | 1         |
| 103           | 10009988       | 垫圈      | WASHER                    | 1         |

## 2.MAIN SHAFT&NEEDLE BAR COMPONENTS

### 挑线刺布部件



## 2、挑线刺布部件MAIN SHAFT & NEEDLE BAR COMPONENTS

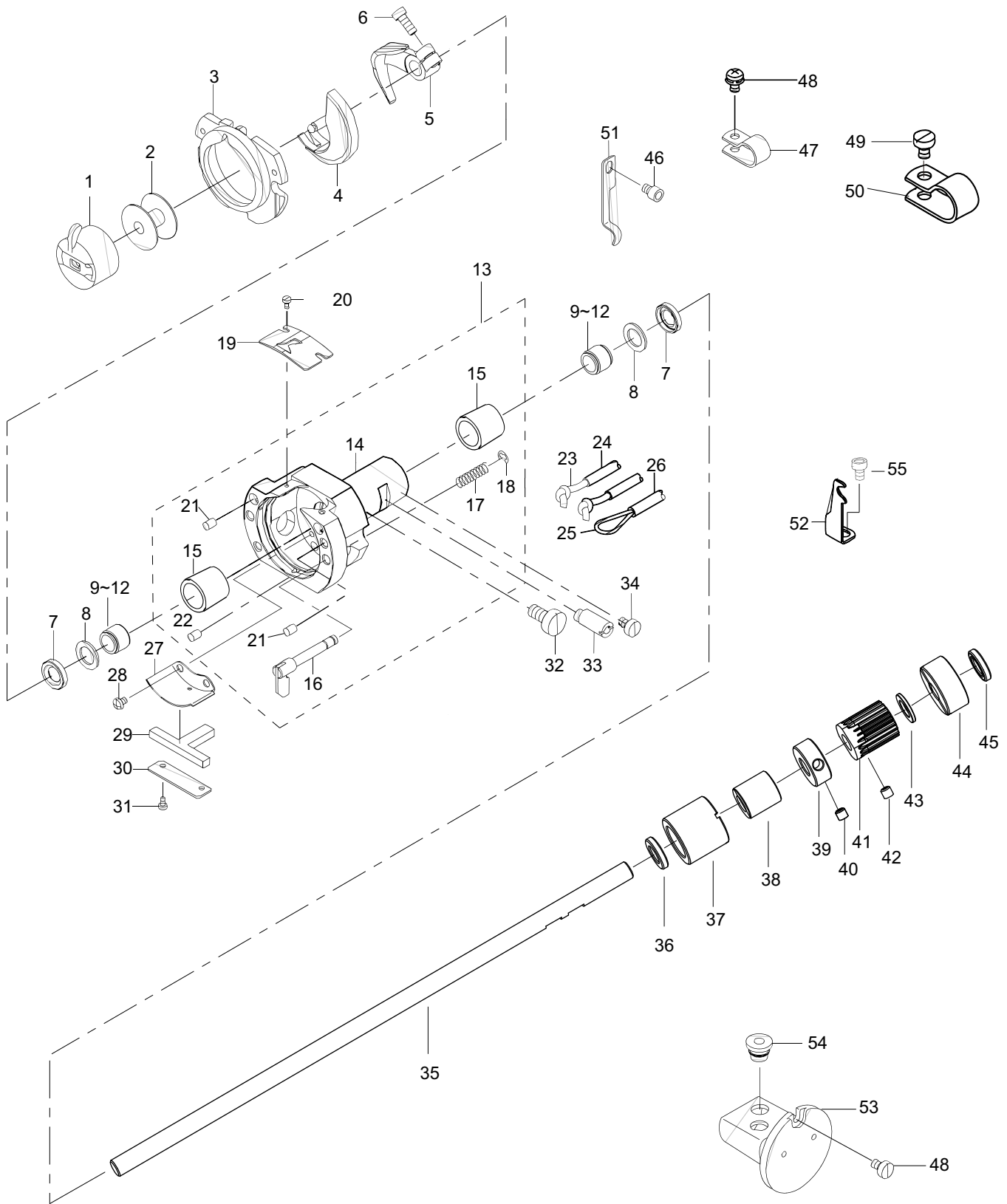
| 序号<br>Ref.No. | 件号<br>Part No. | 名 称         | Description                  | 数量<br>QTY |
|---------------|----------------|-------------|------------------------------|-----------|
| 1             | 10023528       | 轴套          | NEEDLE ROD SLEEVE            | 1         |
| 2             | 10010590       | 针杆连接柱       | NEEDLE BAR CONNECTING COLUMN | 2         |
| 3             | 10010643       | 螺钉          | SCREW                        | 1         |
| 4             | 10052907       | 针杆          | NEEDLE BAR                   | 1         |
| 5             | 10011699       | 螺钉          | SCREW                        | 1         |
| 6             | 10023529       | 轴套          | NEEDLE ROD LOWER METAL       | 1         |
| 7             | 10011701       | 针杆线钩        | THREAD GUIDE                 | 1         |
| 8             | 10023286       | 机针          | NEEDLE DP×5 #16              | 1         |
| 9             | 10021602       | 挑线杆组件       | THREAD TAKE UP COMPL         | 1         |
| 10            | 10007983       | 针杆连杆组件      | NEEDLE BAR CRANK BOD ASM     | 1         |
| 11            | 10007986       | 针杆连杆        | NEEDLE BAR CRANK ROD         | 1         |
| 12            | 10005793       | 针杆连杆轴套      | NEEDLE BAR CRANK BOD METAL   | 1         |
| 13            | 10009777       | 轴承          | BEARING                      | 1         |
| 14            | 10010537       | 螺钉          | SCREW                        | 1         |
| 15            | 10008014       | 挑线曲柄        | NEEDLE BAR CRANK             | 1         |
| 16            | 10007987       | 挑线连杆        | THREAD TAKE UP CRANK         | 2         |
| 17            | 10007985       | 挑线杆         | THREAD TAKE UP LEVER         | 1         |
| 18            | 10004161       | 挑线杆过线套      | THREAD PASS BUSH             | 1         |
| 19            | 10003591       | 轴承          | BEARING                      | 1         |
| 20            | 10051399       | 轴承          | BEARING                      | 2         |
| 21            | 10007984       | 挑线连杆销       | BALANCE CRANK PIN            | 1         |
| 22            | 10005786       | 挡圈          | THRUST COLLAR                | 2         |
| 23            | 10005747       | 轴承          | BEARING                      | 2         |
| 24            | 10005745       | 挡圈          | THRUST COLLAR                | 1         |
| 25            | 10004482       | 螺钉          | SCREW                        | 2         |
| 26            | 10000314       | 螺钉          | SCREW                        | 2         |
| 27            | 10011194       | 针杆连接柱滑块     | SQUARE BLOCK                 | 1         |
| 28            | 10011622       | 挡圈          | THRUST COLLAR                | 1         |
| 29            | 10014283       | 针杆曲柄        | COUNTER EIGHT                | 1         |
| 30            | 10014272       | 螺钉          | SCREW                        | 1         |
| 31            | 10014282       | 螺钉          | SCREW                        | 1         |
| 32            | 10014284       | 螺钉          | SCREW                        | 1         |
| 33            | 10011232       | 螺钉          | SCREW                        | 1         |
| 34            | 10003467       | 轴承          | BEARING                      | 1         |
| 35            | 10014280       | 上轴前轴套       | BEARING BUSH A               | 1         |
| 36            | 10010678       | 螺钉          | SCREW                        | 2         |
| 37            | 10011225       | 螺钉          | SCREW                        | 1         |
| 38            | 10053399       | 手轮          | PULLEY                       | 1         |
| 39            | 10011231       | 手轮轴         | HAND PULLEY SHAFT            | 1         |
| 40            | 10006073       | 销           | PIN                          | 1         |
| 41            | 10011242       | 弹簧          | SPRING                       | 1         |
| 42            | 10021312       | 弧齿锥齿轮组件_手轮轴 | GEAR ASM.                    | 1         |
| 43            | 10011235       | 齿轮          | GEAR                         | 1         |
| 44            | 10011226       | 螺钉          | SCREW                        | 2         |
| 45            | 10002392       | 绕线主动轮       | BTW DRIVING WHEEL            | 1         |
| 46            | 10011223       | 螺钉          | SCREW                        | 2         |
| 47            | 10027407       | 上轴齿轮组件      | GEAR ASM.                    | 1         |
| 48            | 10002413       | 齿轮          | GEAR                         | 1         |
| 49            | 10011226       | 螺钉          | SCREW                        | 2         |
| 50            | 10037428       | 上轴          | MAIN SHAFT                   | 2         |
| 51            | 10010507       | 油封          | OIL SEAL                     | 2         |
| 52            | 10037249       | 油泵体组件       | OIL PUMP ASM.                | 2         |
| 53            | 10008779       | 油管接头        | JOINT                        | 1         |

## 2、挑线刺布部件MAIM SHAFT & NEEDLE BAR COMPONENTS

| 序号<br>Ref.No. | 件号<br>Part No. | 名 称       | Description               | 数量<br>QTY |
|---------------|----------------|-----------|---------------------------|-----------|
| 54            | 10014337       | 上轴平衡轮     | CRANK BALANCER            | 1         |
| 55            | 10014332       | 上轴平衡轮固定板  | CRANK BALANCER FIX PLATE  | 1         |
| 56            | 10011644       | 螺钉        | SCREW                     | 2         |
| 57            | 10014266       | 橡胶塞       | PUBBER PLUG               | 1         |
| 58            | 10009626       | 螺钉        | SCREW                     | 3         |
| 59            | 10014268       | 大连杆滚针轴承盖板 | CRANK ROD SUPPORT PLATE   | 1         |
| 60            | 10014269       | 挡圈        | RETAINING COLLAR          | 2         |
| 61            | 10037219       | 大连杆       | CRANK ROD                 | 1         |
| 62            | 10023508       | 轴承        | BEARING                   | 1         |
| 63            | 10023509       | 轴承        | BEARING                   | 1         |
| 64            | 10023510       | 轴承        | BEARING                   | 1         |
| 65            | 10023511       | 轴承        | BEARING                   | 1         |
| 66            | 10014265       | 偏心轮       | ECCENTRIC WHEEL           | 1         |
| 67            | 10009187       | 螺钉        | SCREW                     | 2         |
| 68            | 10014264       | 上轴后轴承套    | BEARING BUSH              | 1         |
| 69            | 10010678       | 螺钉        | SCREW                     | 2         |
| 70            | 10025863       | 轴承        | BEARING                   | 1         |
| 71            | 10040331       | 电机端联轴器    | COUPLING                  | 1         |
| 72            | 10011227       | 传动连接橡胶块   | RELAX                     | 1         |
| 73            | 10040330       | 上轴端联轴器    | COUPLING                  | 1         |
| 74            | 10009187       | 螺钉        | SCREW                     | 4         |
| 75            | 10024981       | 上轴电机      | AC SERVO MOTOR            | 1         |
| 76            | 10000157       | 螺钉        | SCREW                     | 4         |
| 77            | 10037229       | 销         | PIN                       | 1         |
| 78            | 10010577       | 油封        | OIL SEAL                  | 1         |
| 79            | 10037230       | 齿轮        | BEARING                   | 2         |
| 80            | 10011232       | 螺钉        | SCREW                     | 2         |
| 81            | 10037231       | 垫圈        | WASHER                    | 1         |
| 82            | 10010146       | O形圈       | RUBBER RING               | 3         |
| 83            | 10004600       | 挡圈        | RETAINING COLLAR          | 1         |
| 84            | 10013590       | 螺钉        | SCREW                     | 2         |
| 85            | 10037228       | 销         | PIN                       | 1         |
| 86            | 10002129       | 螺钉        | SCREW                     | 1         |
| 87            | 10037260       | 油管定位架     | FILLER PIPE HOLDER        | 1         |
| 88            | 10013232       | 螺钉        | SCREW                     | 1         |
| 89            | 10037261       | 防油纸垫      | PAPER SPACER              | 1         |
| 90            | 10013238       | 活塞弹簧      | SPRING                    | 1         |
| 91            | 10012609       | 柱塞        | PLUNGER                   | 1         |
| 92            | 10011570       | 螺钉        | SCREW                     | 1         |
| 93            | 10037221       | 上油管架      | UPPER FILLER PIPE BRACKET | 1         |
| 94            | 10037222       | 下油管架      | LOWER FILLER PIPE BRACKET | 1         |
| 95            | 10000471       | 油管二接头     | FILLER PIPE JOINT ASM.    | 1         |
| 96            | 10007800       | φ3×φ5油管   | φ3×φ5 FILLER PIPE         | 50mm      |
| 97            | 10007800       | φ3×φ5油管   | φ3×φ5 FILLER PIPE         | 310mm     |
| 98            | 40000363       | 扎带        | BINDING TAPE              | 3         |
| 99            | 10006115       | 垫圈        | WASHER                    | 1         |
| 100           | 10013616       | 螺钉        | SCREW                     | 1         |
| 101           | 10039126       | 油封衬套      | OIL SEAL METAL            | 1         |
| 102           | 10037240       | 滑块槽       | SQUARE BLOCK TROUGH       | 1         |
| 103           | 10014477       | 螺钉        | SCREW                     | 1         |
| 104           | 10030518       | 中压脚凸轮     | DRIVING WHEEL             | 1         |
| 105           | 10011232       | 螺钉        | SCREW                     | 2         |
| 106           | 10013448       | 油封        | PIN                       | 1         |
| 107           | 10014477       | 弹簧        | SPRING                    | 1         |
| 108           | 10013448       | 弹簧        | SPRING                    | 1         |

### 3.SHUTTLE DRIVER SHAFT COMPONENTS

#### 下轴部件



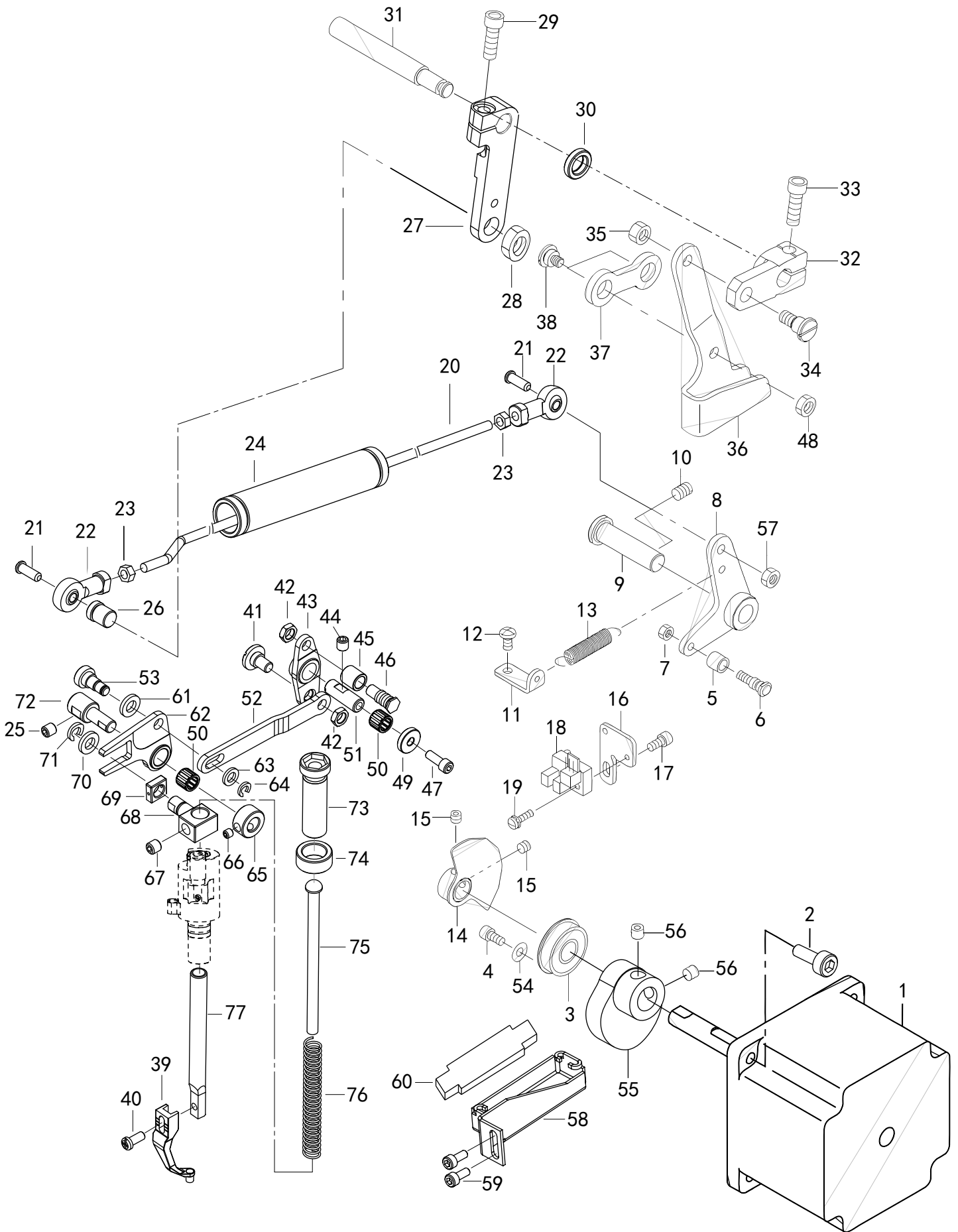


### 3、下轴部件SHUTTLE DRIVER SHAFT COMPONENTS

| 序号<br>Ref.No. | 件号<br>Part No. | 名 称      | Description                    | 数量<br>QTY |
|---------------|----------------|----------|--------------------------------|-----------|
| 1             | 10003781       | 梭壳       | BOBBIN CASE ASM                | 1         |
| 2             | 10004592       | 锁芯       | BOBBIN                         | 1         |
| 3             | 10010738       | 梭床盖组件    | SHUTTLE RACE RING ASM          | 1         |
| 4             | 10025068       | 摆梭       | INNER HOOK                     | 1         |
| 5             | 10004609       | 摆梭托      | SHUTTLE DRIVER                 | 1         |
| 6             | 10004611       | 螺钉       | SCREW                          | 1         |
| 7             | 10014297       | 油封       | SHUTTLE OIL SEAL               | 2         |
| 8             | 10014295       | 挡圈       | SHUTTLE BEARING RING           | 2         |
| 9             | 10023516       | 轴承       | BEARING                        | 2         |
| 10            | 10023517       | 轴承       | BEARING                        | 2         |
| 11            | 10023518       | 轴承       | BEARING                        | 2         |
| 12            | 10023519       | 轴承       | BEARING                        | 2         |
| 13            | 10022792       | 梭床小组件    | SHUTTLE ASM.                   | 1         |
| 14            | 10014248       | 梭床       | SHUTTLE                        | 1         |
| 15            | 10008576       | 梭床衬套     | SHUTTLE BUSH                   | 1         |
| 16            | 10004261       | 梭床锁紧钩组件  | INNER HOOK PRESSER ASM.        | 2         |
| 17            | 10004495       | 弹簧       | SPRING                         | 2         |
| 18            | 10009669       | 挡圈       | E-RING                         | 2         |
| 19            | 10004596       | 梭床簧      | SHUTTLE UPPER SPRING           | 1         |
| 20            | 10010744       | 螺钉       | SCREW                          | 2         |
| 21            | 10011077       | 毛毡       | SHUTTLE OIL FELT               | 2         |
| 22            | 10011427       | 毛毡       | SHUTTLE OIL FELT               | 1         |
| 23            | 10008103       | 油线       | OIL WICK                       | 2         |
| 24            | 10007795       | 油管       | FILLER PIPE                    | 2         |
| 25            | 10008103       | 油线       | OIL WICK                       | 1         |
| 26            | 10007795       | 油管       | FILLER PIPE                    | 1         |
| 27            | 10007926       | 油线夹板     | SHUTTLE LUBRICATING PLATE      | 1         |
| 28            | 10010797       | 螺钉       | SCREW                          | 2         |
| 29            | 10010800       | 毛毡       | SHUTTLE ONCE THROUGH OIL FELT  | 1         |
| 30            | 10010799       | 毛毡压板     | ONCE THROUGH OIL LFELT PRESSER | 1         |
| 31            | 10010744       | 螺钉       | SCREW                          | 2         |
| 32            | 10010817       | 螺钉       | SCREW                          | 1         |
| 33            | 10011426       | 螺钉       | SCREW                          | 1         |
| 34            | 10011425       | 螺钉       | SCREW                          | 1         |
| 35            | 10037224       | 下轴       | LOWER SHAFT                    | 1         |
| 36            | 10035171       | 油封       | OIL SEAL                       | 1         |
| 37            | 10037225       | 下轴前衬套    | SLEEVE A                       | 1         |
| 38            | 10037273       | 轴承       | NUT                            | 1         |
| 39            | 10037298       | 挡圈       | WASHER                         | 1         |
| 40            | 10013590       | 螺钉       | SCREW                          | 2         |
| 41            | 10037223       | 齿轮       | GEARED                         | 1         |
| 42            | 10011232       | 螺钉       | SCREW                          | 2         |
| 43            | 10037227       | 垫圈       | WASHER                         | 1         |
| 44            | 10037226       | 下轴后轴套    | SLEEVE B                       | 1         |
| 45            | 10035171       | 油封       | OIL SEAL                       | 1         |
| 46            | 10005107       | 螺钉       | SCREW                          | 1         |
| 47            | 10008228       | SN-3A夹头  | CABLE CLIP                     | 1         |
| 48            | 10012892       | 螺钉       | SCREW                          | 2         |
| 49            | 10011101       | 螺钉       | SCREW                          | 1         |
| 50            | 10008229       | SL-12N夹头 | CABLE CLIP                     | 1         |
| 51            | 10014294       | 油管限位板    | OIL_PIPE HOLDER                | 1         |
| 52            | 10014288       | 油管限位板    | TUBE_CLAMP                     | 1         |
| 53            | 10021601       | 油窗组件     | OIL TANK ASM.                  | 1         |
| 54            | 10014296       | 油塞       | RUBBER BUSH                    | 2         |
| 55            | 10010685       | 螺钉       | SCREW                          | 1         |

# 4.LEFT PRESSERS COMPONENTS

## 抬压部件



#### 4、抬压部件LIFT PRESSER COMPONENTS

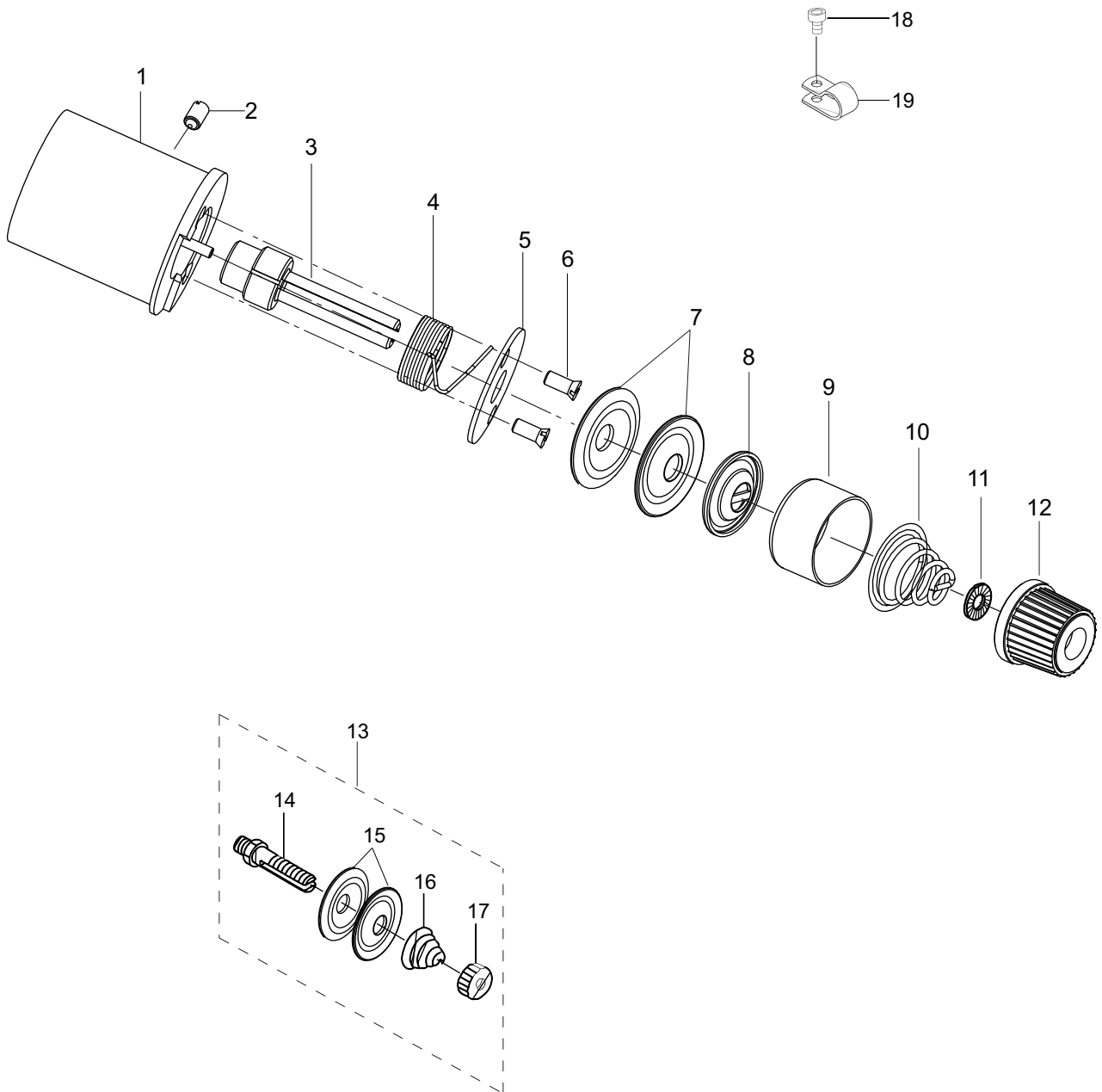
| 序号<br>Ref.No. | 件号<br>Part No. | 名 称       | Description                      | 数量<br>QTY |
|---------------|----------------|-----------|----------------------------------|-----------|
| 1             | 10024982       | 抬压电机      | PRESSER LIFTING MOTOR            | 1         |
|               | 10036280       | 闭环抬压电机    | CLOSE LOOP PRESSER LIFTING MOTOR | 1         |
| 2             | 10011644       | 螺钉        | SCREW                            | 4         |
| 3             | 10003601       | 轴承        | BEARING                          | 1         |
| 4             | 10010668       | 螺钉        | SCREW                            | 1         |
| 5             | 10028245       | 销套        | NEEDLE CAM ROLLER A              | 1         |
| 6             | 10014342       | 销         | UTT CAM ROLLER SHAFT             | 1         |
| 7             | 10014354       | 螺母        | NUT                              | 1         |
| 8             | 10037252       | 抬压曲柄组件    | LIFTER LINK A ASM                | 1         |
| 9             | 10014289       | 抬压曲柄轴     | THREAD TRIMMER SHAFT             | 1         |
| 10            | 10011232       | 螺钉        | SCREW                            | 1         |
| 11            | 10014343       | 拉板        | SIDE COVER THREAD GUIDE          | 1         |
| 12            | 10012892       | 螺钉        | SCREW                            | 1         |
| 13            | 10014356       | 弹簧        | SPRING                           | 1         |
| 14            | 10014293       | 抬压电机传感片组件 | SENSOR SLIT                      | 1         |
| 15            | 10011518       | 螺钉        | SCREW                            | 2         |
| 16            | 10014291       | 抬压传感器安装板  | SENSOR_INSTALLING_BASE           | 1         |
| 17            | 10010668       | 螺钉        | SCREW                            | 1         |
| 18            | 10026622       | 抬压传感器     | PHOTO SENSOR                     | 1         |
| 19            | 10010667       | 螺钉组件      | SCREW                            | 1         |
| 20            | 10037234       | 抬压拉杆      | LIFTER LINK B                    | 1         |
| 21            | 10037250       | 螺钉        | SCREW                            | 2         |
| 22            | 10011586       | 万能接头组件    | UNIVERSAL CONTACT JOINT          | 2         |
| 23            | 10003075       | 螺母        | NUT                              | 2         |
| 24            | 10037235       | 抬压拉杆套     | PULL-ROD BUSH                    | 1         |
| 25            | 10005295       | 螺钉        | SPRING                           | 1         |
| 26            | 10037238       | 螺钉        | SCREW                            | 1         |
| 27            | 10037236       | 拨线曲柄      | CONNECTING ARM                   | 1         |
| 28            | 10037825       | 螺母        | NUT                              | 1         |
| 29            | 10010735       | 螺钉        | SCREW                            | 1         |
| 30            | 10037237       | 垫圈        | WASHER                           | 1         |
| 31            | 10011914       | 曲柄轴       | CONNECTING SHAFT                 | 1         |
| 32            | 10014340       | 抬压驱动曲柄    | LOWERING ARM                     | 1         |
| 33            | 10010735       | 螺钉        | SCREW                            | 1         |
| 34            | 10010674       | 螺钉        | SCREW                            | 1         |
| 35            | 10010725       | 螺母        | NUT                              | 1         |
| 36            | 10014355       | 抬压传动板     | LOWERING FOOT                    | 1         |
| 37            | 10010684       | 抬压脚定位连杆   | CONNECTING LINK                  | 1         |
| 38            | 10010727       | 螺钉        | SCREW                            | 2         |
| 39            | 10030536       | 中压脚       | MID FEET                         | 1         |
| 40            | 10010650       | 螺钉        | SCREW                            | 1         |
| 41            | 10014344       | 螺钉        | SCREW                            | 1         |
| 42            | 10010725       | 螺母        | NUT                              | 2         |
| 43            | 10030519       | 中压脚曲柄     | WINCH                            | 1         |
| 44            | 10022863       | 螺钉        | SCREW                            | 2         |
| 45            | 10030525       | 销套        | PIN SET                          | 1         |
| 46            | 10030523       | 销         | PIN                              | 1         |
| 47            | 10000342       | 螺钉        | SCREW                            | 1         |
| 48            | 10010725       | 螺母        | NUT                              | 1         |
| 49            | 10030521       | 中压脚曲柄盖板   | COVER BOARD                      | 1         |

#### 4、抬压部件LIFT PRESSER COMPONENTS

| 序号<br>Ref.No. | 件号<br>Part No. | 名 称     | Description           | 数量<br>QTY |
|---------------|----------------|---------|-----------------------|-----------|
| 50            | 10003971       | 轴承      | BEARING               | 2         |
|               | 10003972       | 轴承      | BEARING               | 2         |
| 51            | 10030520       | 销       | PIN                   | 1         |
| 52            | 10030526       | 中压脚摆动拉杆 | ASWAY POLE            | 1         |
| 53            | 10030531       | 螺钉      | SCREW                 | 1         |
| 54            | 10010741       | 垫圈      | WASHER                | 1         |
| 55            | 10014287       | 抬压凸轮    | LIFT TO PRESS THE CAM | 1         |
| 56            | 10011232       | 螺钉      | SCREW                 | 2         |
| 57            | 10010133       | 螺母      | NUT                   | 1         |
| 58            | 10028675       | 抬压凸轮油槽  | GREASE SLOT           | 1         |
| 59            | 10010685       | 螺钉      | SCREW                 | 2         |
| 60            | 10010685       | 毛毡      | OIL FLET              | 1         |
| 61            | 10030529       | 左垫圈     | LEFT WASHER           | 1         |
| 62            | 10030527       | 中压脚摆动曲柄 | ASWAY WINCH           | 1         |
| 63            | 10030530       | 右垫圈     | RIGHT WASHER          | 1         |
| 64            | 10009653       | 卡簧      | RETAINING RING        | 1         |
| 65            | 10005745       | 挡圈      | THRUST COLLAT         | 1         |
| 66            | 10013590       | 螺钉      | SCREW                 | 2         |
| 67            | 10013444       | 螺钉      | SCREW                 | 1         |
| 68            | 10030535       | 压杆导架    | ORIENTED PIECE        | 1         |
| 69            | 10030534       | 摆动曲柄滑块  | SLIP PIECE            | 1         |
| 70            | 10030524       | 垫圈      | WASHER                | 1         |
| 71            | 10007859       | 卡簧      | RETAINING RING        | 1         |
| 72            | 10030528       | 销       | PIN                   | 1         |
| 73            | 10031165       | 调压螺钉    | ADJUSTIVE SCREW       | 1         |
| 74            | 10031166       | 调压螺母    | ADJUSTIVE NUT         | 1         |
| 75            | 10012426       | 调压导杆    | ADJUSTIVE LEADER      | 1         |
| 76            | 10004505       | 弹簧      | SPRING                | 1         |
| 77            | 10010646       | 压杆      | POLE                  | 1         |

# 5.THREAD TENSION COMPONENTS

## 松线器组件

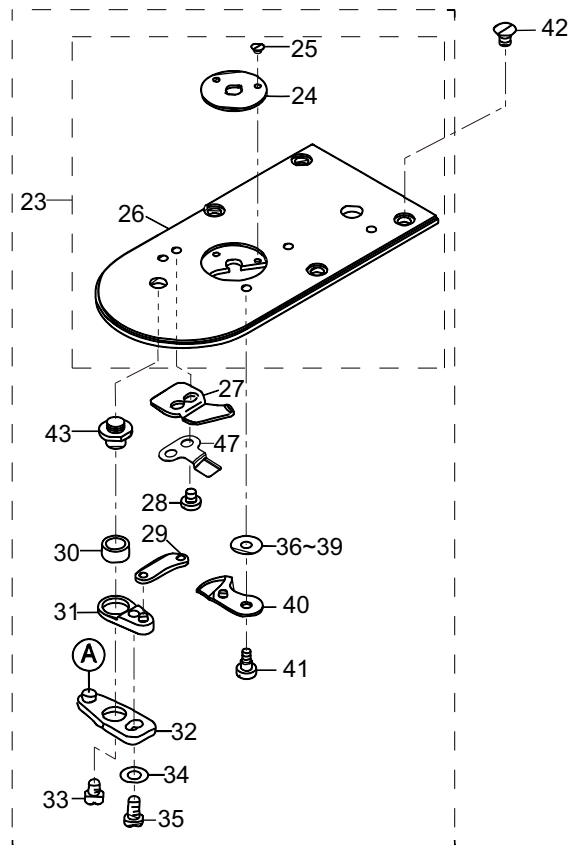
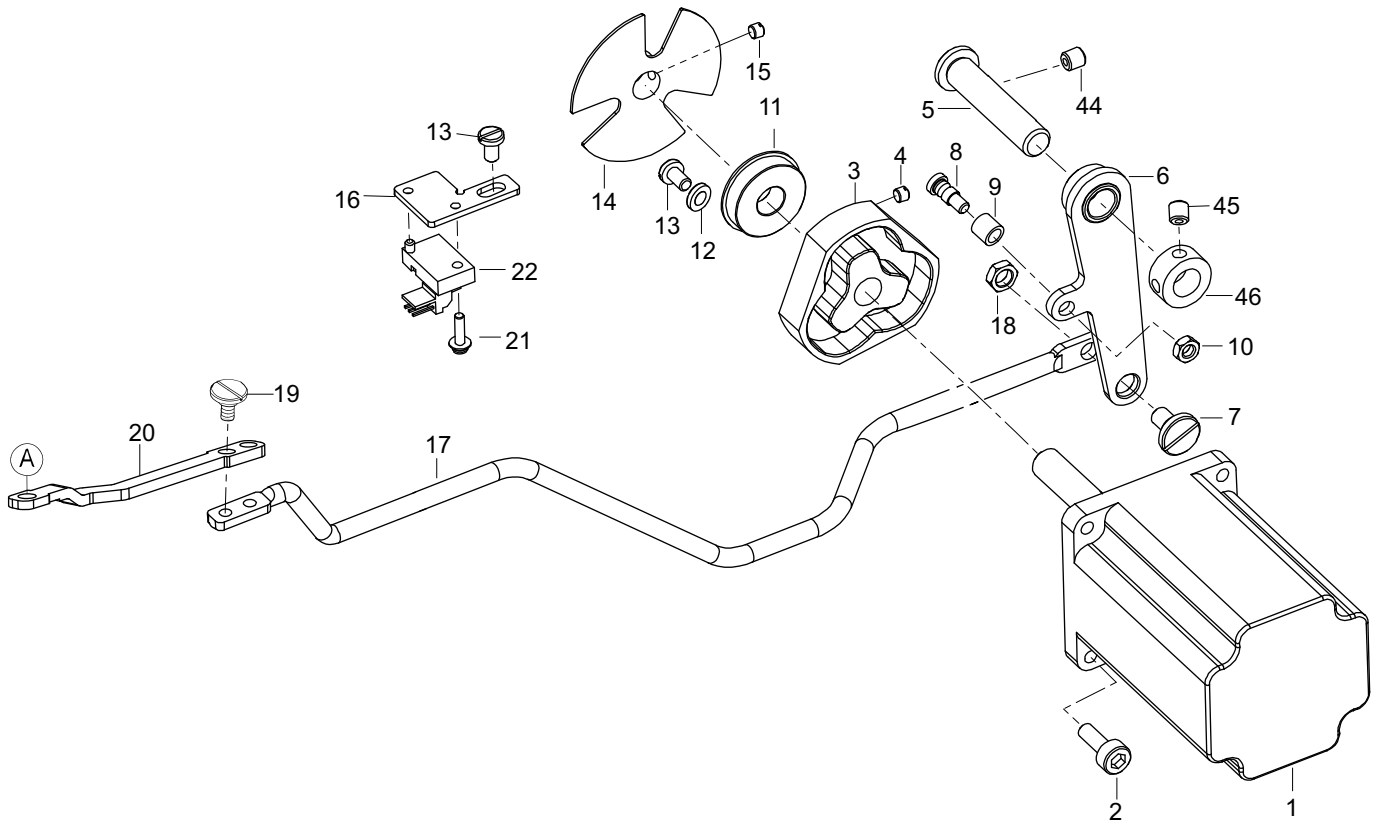


### 5、松线部件THREAD TENSION COMPONENTS

| 序号<br>Ref.No. | 件号<br>Part No. | 名称      | Description                  | 数量<br>QTY |
|---------------|----------------|---------|------------------------------|-----------|
| 1             | 10037241       | 电磁铁组件   | THREAD TENSION ELECTROMAGNET | 1         |
| 2             | 10026903       | 螺钉      | SCREW                        | 1         |
| 3             | 10037581       | 夹线螺钉    | SCREW                        | 1         |
| 4             | 10039203       | 弹簧      | SPRING                       | 1         |
| 5             | 10037243       | 锁紧块     | LOCK PLATE                   | 1         |
| 6             | 10052062       | 螺钉      | SCREW                        | 2         |
| 7             | 10005489       | 过线板     | THREAD TENSION DISK          | 2         |
| 8             | 10004625       | 松线板     | THREAD TENSION DISK PRESSER  | 1         |
| 9             | 10004598       | 夹线簧座    | TENSION NUT                  | 1         |
| 10            | 10004626       | 弹簧      | SPRING                       | 1         |
| 11            | 10004633       | 夹线制动板   | ROTATING STOPPER             | 1         |
| 12            | 10004783       | 夹线螺母    | THREAD TENSION NUT           | 1         |
| 13            | 10011493       | 夹线组件    | FIRST THREAD TENSION ASM     | 1         |
| 14            | 10004666       | 螺钉      | SCREW                        | 1         |
| 15            | 10004393       | 夹线板     | THREAD TENSION DISK          | 2         |
| 16            | 10004669       | 弹簧      | SPRING                       | 1         |
| 17            | 10004664       | 夹线螺母    | TENSION NUT                  | 1         |
| 18            | 10010685       | 螺钉      | SCREW                        | 2         |
| 19            | 10008228       | SN-3A夹头 | CABLE CLIP                   | 3         |

# 6.THREAD TRIMMER MECHANISM COMPONENTS

## 剪线部件



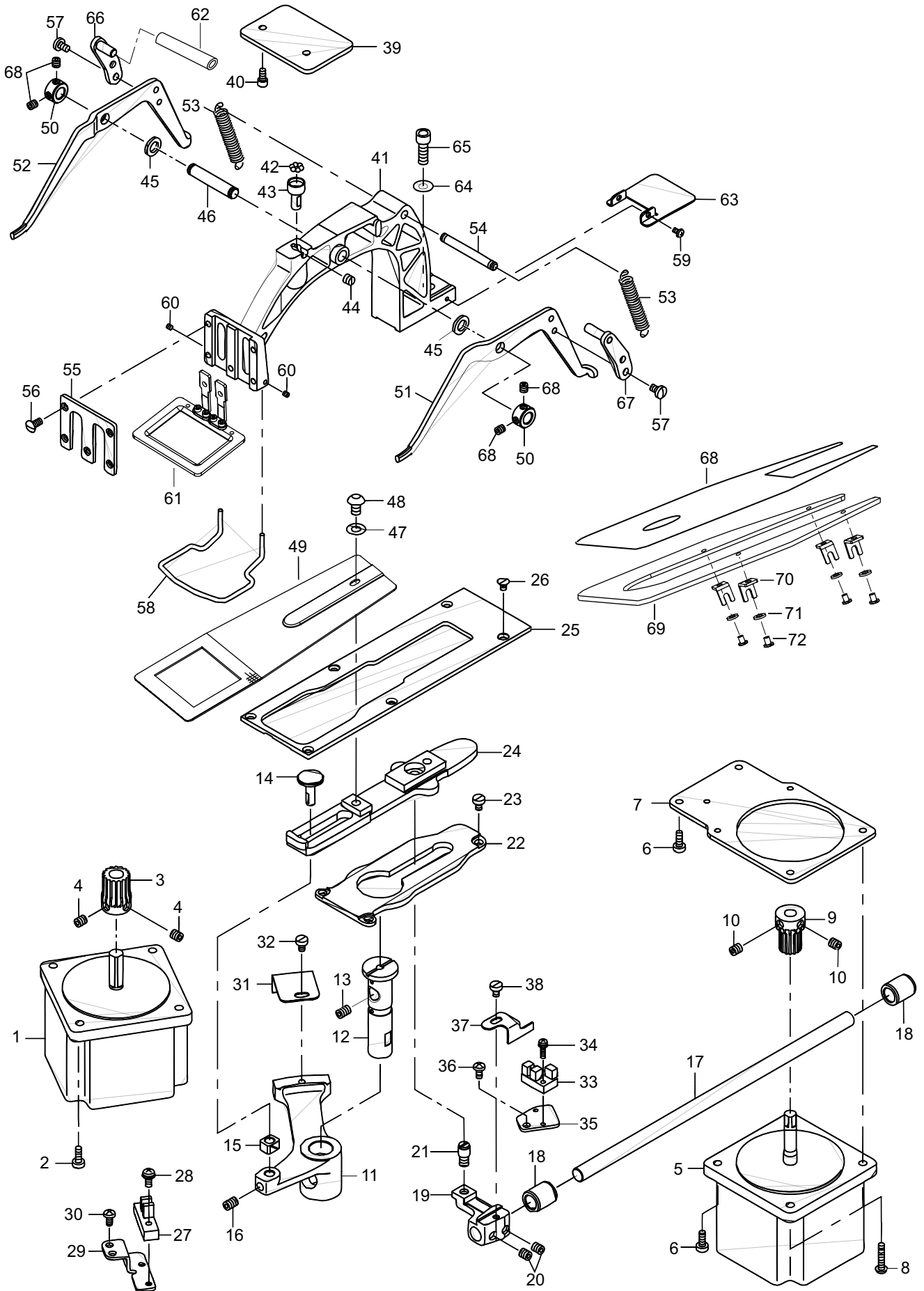
## 6、剪线部件 THREAD TRIMMER MECHANISM COMPONENTS

| 序号<br>Ref.No. | 件号<br>Part No. | 名称        | Description                          | 数量<br>QTY |
|---------------|----------------|-----------|--------------------------------------|-----------|
| 1             | 10033243       | 剪线电机      | SHEAR-LINE MOTOR                     | 1         |
| 2             | 10009103       | 螺钉        | SCREW                                | 4         |
| 3             | 10037294       | 剪线凸轮      | TRIMMING CAM                         | 1         |
| 4             | 10011232       | 螺钉        | SCREW                                | 2         |
| 5             | 10033244       | 抬压曲柄轴     | THREAD TRIMMER SHAFT                 | 1         |
| 6             | 10014339       | 剪线曲柄组件    | THREAD TRIMMER LINK                  | 1         |
| 7             | 10014344       | 螺钉        | SCREW                                | 1         |
| 8             | 10014342       | 销         | PIN                                  | 1         |
| 9             | 10028245       | 销套        | PIN SET                              | 1         |
| 10            | 10014354       | 螺母        | NUT                                  | 1         |
| 11            | 10003601       | 轴承        | BEARING                              | 1         |
| 12            | 10010741       | 垫圈        | WASHER                               | 1         |
| 13            | 10010668       | 螺钉        | SCREW                                | 2         |
| 14            | 10037295       | 剪线电机传感片组件 | SENSOR SLIT ASM                      | 1         |
| 15            | 10011518       | 螺钉        | SCREW                                | 2         |
| 16            | 10037741       | 剪线传感器安装板  | SHRAR-LINE SENSOR INSTALLATION SHEET | 1         |
| 17            | 10008078       | 剪线拉杆      | CONNECTING BAR                       | 1         |
| 18            | 10010725       | 螺母        | NUT                                  | 1         |
| 19            | 10011142       | 螺钉        | SCREW                                | 2         |
| 20            | 10008006       | 剪线拉杆接头    | SHEAR-LINE ROD CONNECTOR             | 1         |
| 21            | 10010667       | 传感器螺钉组件   | SENSOR SCREW COMPONENTS              | 1         |
| 22            | 10026622       | 传感器       | SENSORS                              | 1         |
| 23            | 10014298       | 针板组件      | NEEDLE PATE ASM.                     | 1         |
| 24            | 10047532       | 小针板       | NEEDLE HOLE GUIDE                    | 1         |
| 25            | 10011509       | 螺钉        | SCREW                                | 2         |
| 26            | 10008027       | 针板        | NEEDLE PLATE                         | 1         |
| 27            | 10011501       | 定刀        | FIXING KNIFE                         | 1         |
| 28            | 10011499       | 螺钉        | SCREW                                | 2         |
| 29            | 10011453       | 动刀连杆      | MOVING KNIFE LINK                    | 1         |
| 30            | 10011502       | 动刀杆销衬套    | THREAD CUTTING LEVER RING            | 1         |
| 31            | 10010733       | 动刀曲柄分组件   | THREAD CUTTER LEVER ASM., SMAL       | 1         |
| 32            | 10010737       | 动刀传动杆分组件  | THREAD CUTTER LEVER ASM., LARG       | 1         |
| 33            | 10011503       | 螺钉        | SCREW                                | 1         |
| 34            | 10011506       | 垫圈        | WASHER                               | 1         |
| 35            | 10009906       | 螺钉        | SCREW                                | 1         |
| 36            | 10007183       | 垫圈        | WASHER                               | 1         |
| 37            | 10007361       | 垫圈        | WASHER                               | 1         |
| 38            | 10007362       | 垫圈        | WASHER                               | 1         |
| 39            | 10007363       | 垫圈        | WASHER                               | 1         |
| 40            | 10011513       | 动刀分组件     | MOVING KNIFE ASM.                    | 1         |
| 41            | 10011500       | 螺钉        | SCREW                                | 1         |
| 42            | 10011511       | 螺钉        | SCREW                                | 1         |
| 43            | 10011455       | 螺钉        | SCREW                                | 1         |
| 44            | 10011232       | 螺钉        | SCREW                                | 1         |
| 45            | 10013590       | 螺钉        | SCREW                                | 2         |
| 46            | 10010803       | 挡圈        | RETAINING COLLAR                     | 1         |
| 47            | 10037254       | 底线夹线弹簧片   | LOWER THREAD CLAMP SRING             | 1         |



# 7.FEED MECHANISM COMPONENTS

## 送料部件



## 7、送料部件FEED MECHANISM COMPONENTS

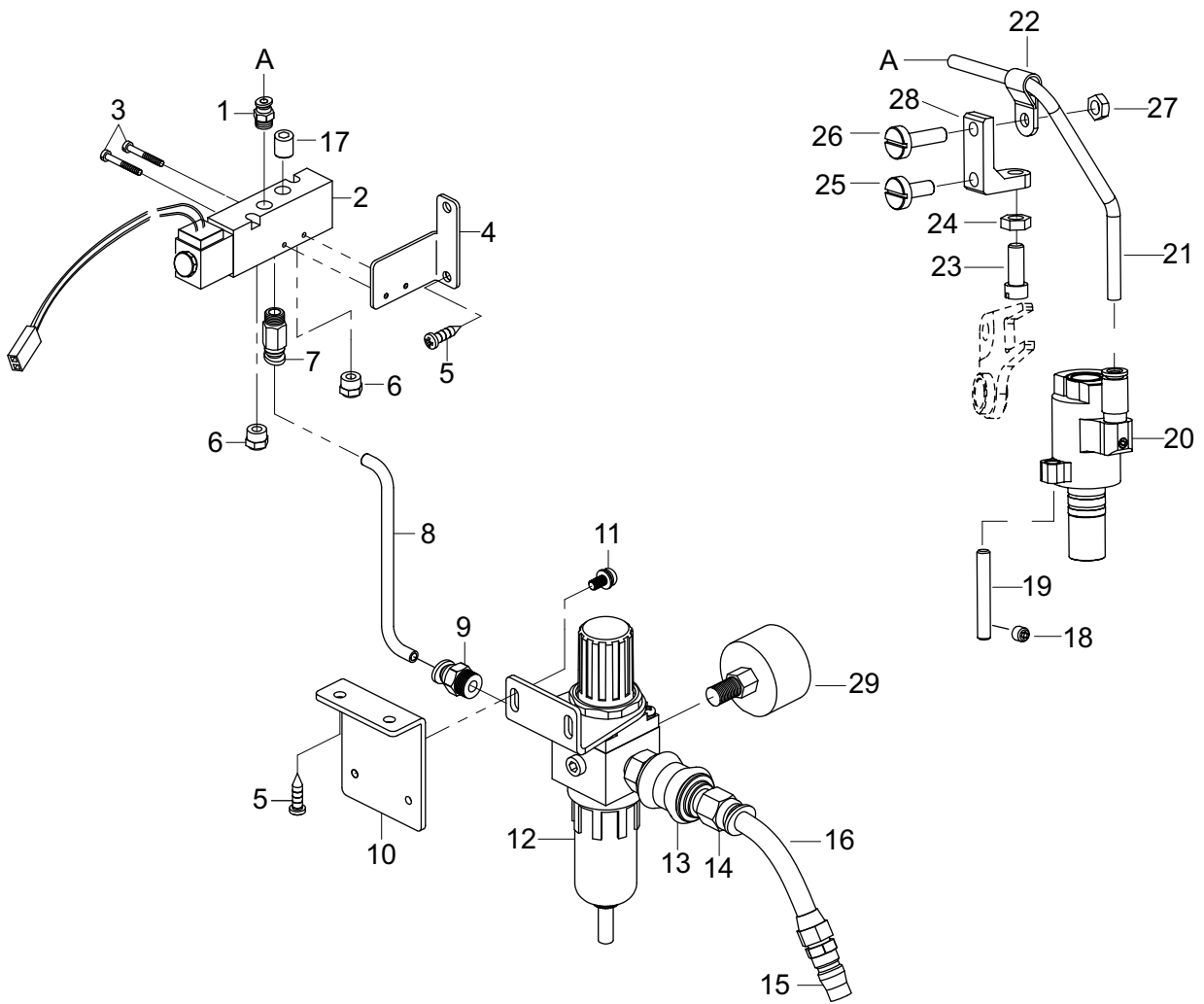
| 序号<br>Ref.No. | 件号<br>Part No. | 名 称       | Description                         | 数量<br>QTY |
|---------------|----------------|-----------|-------------------------------------|-----------|
| 1             | 10024984       | X轴步进电机    | X FEED STEPPING MOTOR               | 1         |
|               | 10036282       | 闭环X轴步进电机  | CLOSE LOOP X FEED STEPPING MOTOR    | 1         |
| 2             | 10000157       | 螺钉        | SCREW                               | 4         |
| 3             | 10011638       | 齿轮        | GEAR                                | 1         |
| 4             | 10011232       | 螺钉        | SCREW                               | 2         |
| 5             | 10024985       | Y轴步进电机    | Y FEED STEPPING MOTOR               | 1         |
|               | 10036283       | 闭环Y轴步进电机  | CLOSE LOOP Y FEED STEPPING MOTOR    | 1         |
| 6             | 10011644       | 螺钉        | SCREW                               | 2         |
| 7             | 10014358       | Y轴步进电机安装板 | Y-AXIS STEPPER MOTOR MOUNTING PLATE | 1         |
| 8             | 10000157       | 螺钉        | SCREW                               | 4         |
| 9             | 10011640       | 齿轮        | GEAR                                | 1         |
| 10            | 10011232       | 螺钉        | SCREW                               | 2         |
| 11            | 10014318       | 齿轮        | GEAR                                | 1         |
| 12            | 10011573       | X向铰轴      | X HINGE AXIS                        | 1         |
| 13            | 10010678       | 螺钉        | SCREW                               | 1         |
| 14            | 10030541       | X向滑块轴     | SLIDE BLOCK STUD                    | 1         |
| 15            | 10030540       | X向滑块      | SQUARE BLOCK                        | 1         |
| 16            | 10010678       | 螺钉        | SCREW                               | 1         |
| 17            | 10014326       | Y向驱动轴     | BUSHING, REAR                       | 1         |
| 18            | 10011571       | 轴套        | BUSHING, REAR                       | 2         |
| 19            | 10030539       | Y向驱动轴夹头   | LENGTHWISE FEED ARM                 | 1         |
| 20            | 10011642       | 螺钉        | SCREW                               | 2         |
| 21            | 10011568       | 螺钉        | SCREW                               | 1         |
| 22            | 10030538       | 送料托架支撑板   | CLOTH FEED SUPPORT PLATE            | 1         |
| 23            | 10011142       | 螺钉        | SCREW                               | 3         |
| 24            | 10030537       | 送料托架      | CLOTH FEED PLATE                    | 1         |
| 25            | 10030545       | 盖板        | CLOTH FEED PRESSER PLATE            | 1         |
| 26            | 10011566       | 螺钉        | SCREW                               | 6         |
| 27            | 10026623       | X向传感器     | PHOTO SENSOR                        | 1         |
| 28            | 10010667       | 螺钉组件      | SCREW COMPONENTS                    | 1         |
| 29            | 10011592       | X向传感器安装板  | SENSOR INSTALING BASE               | 1         |
| 30            | 10011570       | 螺钉        | SCREW                               | 2         |
| 31            | 10011517       | X向传感片     | CROSSFEED SENSOR SLIT               | 1         |
| 32            | 10011142       | 螺钉        | SCREW                               | 1         |
| 33            | 10026622       | Y向传感器     | PHOTO SINSOR                        | 1         |
| 34            | 10010667       | 螺钉组件      | SCREW COMPONENTS                    | 1         |
| 35            | 10011572       | Y向传感器安装板  | SENSOR INSTALLING BASE              | 1         |
| 36            | 10011570       | 螺钉        | SCREW                               | 1         |
| 37            | 10030542       | Y向传感片     | LENGTHWISE FEED SENSOR SLIT         | 1         |
| 38            | 10011590       | 螺钉        | SCREW                               | 1         |
| 39            | 10030544       | 送料架支撑板    | SUPPORT PLATE                       | 1         |
| 40            | 10011559       | 螺钉        | SCREW                               | 2         |
| 41            | 10031161       | 送料架       | FEED BRACKET                        | 1         |
| 42            | 10011574       | 钢球        | WORK CLAMP FOOT MONTING BASE        | 7         |
| 43            | 10011561       | 钢球座       | BALL RETAINER                       | 1         |
| 44            | 10011564       | 螺钉        | SCREW                               | 1         |
| 45            | 10014394       | 垫圈        | WASHER                              | 2         |
| 46            | 10011507       | 提升架轴      | LIFTING LEVER SHAFT                 | 1         |
| 47            | 10011646       | 垫圈        | WASHER                              | 2         |
| 48            | 10011569       | 螺钉        | SCREW                               | 1         |

## 7、送料部件FEED MECHANISM COMPONENTS

| 序号<br>Ref.No. | 件号<br>Part No. | 名 称       | Description                | 数量<br>QTY |
|---------------|----------------|-----------|----------------------------|-----------|
| 49            | 10030549       | 送料板       | FEED PLATE                 | 1         |
| 50            | 10004600       | 挡圈        | THRUST COLLAR              | 2         |
| 51            | 10011454       | 右压脚提升架    | LIFTING LEVER, RIGHT       | 1         |
| 52            | 10011567       | 左压脚提升架    | LIFTING LEVER, LEFT        | 1         |
| 53            | 10011558       | 弹簧        | CLOTH PRESSER SPRING       | 2         |
| 54            | 10011456       | 拉簧支轴柱     | SPRING SUSPENSION          | 1         |
| 55            | 10011557       | 压脚面板      | WORK CLAMP FOOT FACE PLATE | 1         |
| 56            | 10011150       | 螺钉        | SCREW                      | 5         |
| 57            | 10009906       | 螺钉        | SCREW                      | 4         |
| 58            | 10011556       | 护手圈       | FINGER GUARDE              | 1         |
| 59            | 10011143       | 螺钉        | SCREW                      | 2         |
| 60            | 10003383       | 螺钉        | SCREW                      | 2         |
| 61            | 10030546       | 布压脚组件     | WORK CLAMP FOOT ASM.       | 1         |
| 62            | 10030550       | 提升架套      | SET UP SHELF SLEEVE        | 1         |
| 63            | 10014359       | 送料架后拖板    | HIDDEN_PLATE               | 1         |
| 64            | 10006013       | 垫圈        | WASHER                     | 1         |
| 65            | 10010735       | 螺钉        | SCREW                      | 1         |
| 66            | 10024705       | 左压脚提升导板组件 | LEVER DRIVING PLATE ASM.   | 1         |
| 67            | 10024706       | 右压脚提升导板组件 | LEVER DRIVING PLATE ASM.   | 1         |
| 68            | 10031169       | 布压脚托板保护膜  | PROTECTIVE FILM            | 1         |
| 69            | 10030551       | 压脚托板      | FEET SPLINT                | 1         |
| 70            | 10030552       | 压脚托板座     | FEET SPLINT PEDESTAL       | 4         |
| 71            | 10010741       | 垫圈        | WASHER                     | 4         |
| 72            | 10011142       | 螺钉        | SCREW                      | 4         |

## 8. PNEUMATIC COMPONENTS

### 气动部件

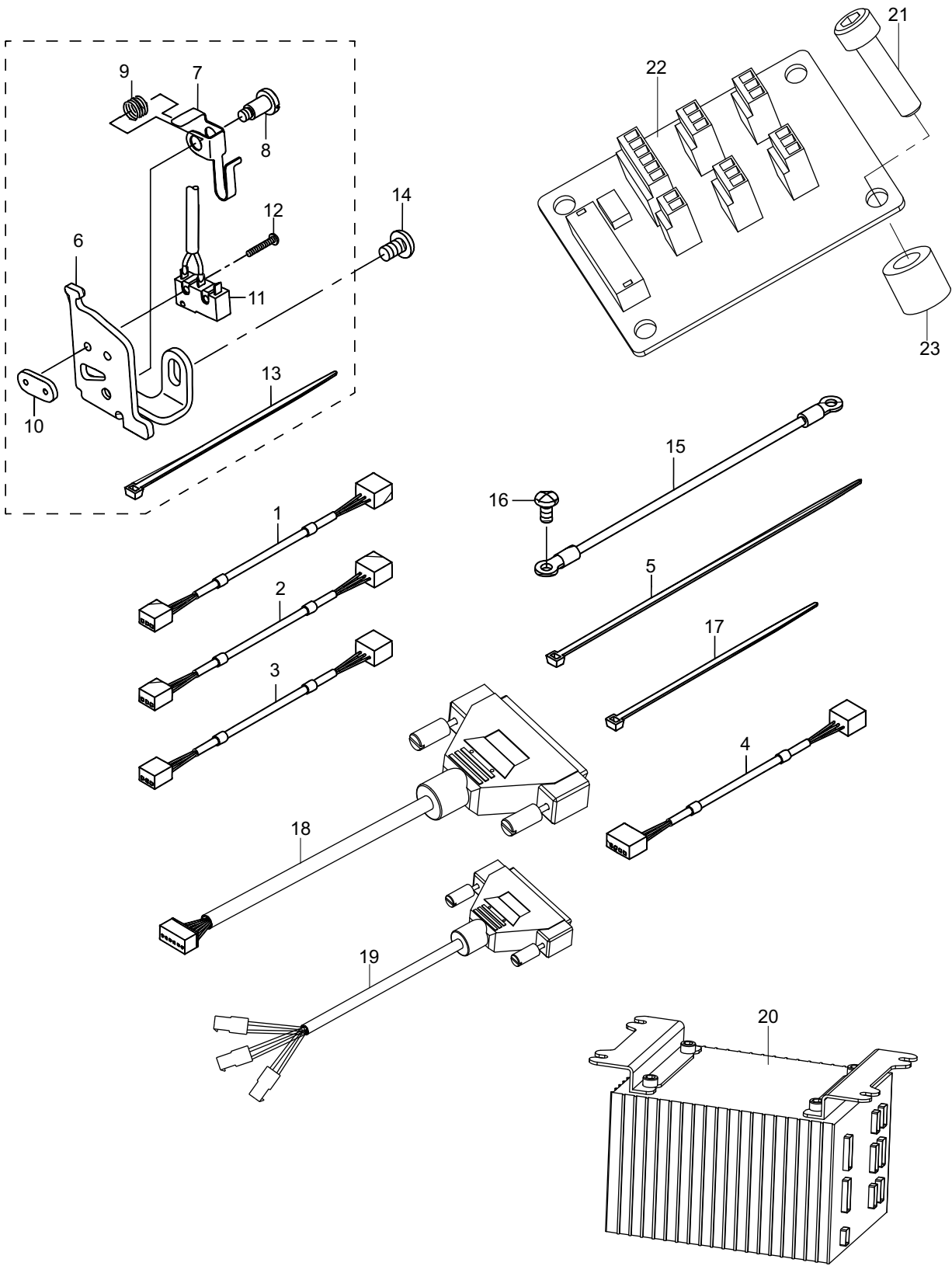


## 8、气动部件 PNEUMATIC COMPONENTS

| 序号<br>Ref.No. | 件号<br>Part No. | 名 称                         | Description                      | 数量<br>QTY |
|---------------|----------------|-----------------------------|----------------------------------|-----------|
| 1             | 10023253       | 快速接头 $\Phi 4 \times R1/8$   | HALF UNION $\Phi 4 \times R1/8$  | 2         |
| 2             | 10007696       | 电磁阀                         | 5 PORT SOLENOID VALVE            | 1         |
| 3             | 10002148       | 气阀安装螺钉 M3 L=25              | SCREW M3 L=25                    | 2         |
| 4             | 10007583       | 气阀安装板                       | SOLENOID_VALVE_FITTING_BASE      | 1         |
| 5             | 10026825       | 螺钉                          | SCREW                            | 4         |
| 6             | 10001548       | 消声器                         | MUFFLER                          | 3         |
| 7             | 10003724       | 快速接头 $\Phi 6 \times R1/8$   | HALF UNION $\Phi 6 \times R1/8$  | 1         |
| 8             | 10008150       | 气管 $\Phi 4 \times \Phi 6$   | TUBE                             | 1         |
| 9             | 10003733       | 快速接头 $\Phi 6 \times R1/4$   | HALF UNION $\Phi 6 \times R1/4$  | 1         |
| 10            | 10001107       | 固定板                         | FILTER_INSTALLING_PLATE          | 1         |
| 11            | 10003883       | 螺钉 M5 L=10                  | SCREW M5 L=10                    | 2         |
| 12            | 10007604       | 过滤减压阀                       | FILTER REGULATOR                 | 1         |
| 13            | 10007534       | 手滑阀                         | HAND SLIDE VALVE                 | 1         |
| 14            | 10003458       | 快速接头 $\Phi 10 \times R1/4$  | HALF UNION $\Phi 10 \times R1/4$ | 1         |
| 15            | 10024399       | 接头 $\Phi 10 \times R1/4$    | PLUG $\Phi 10 \times R1/4$       | 1         |
| 16            | 10008151       | 气管 $\Phi 8 \times \Phi 10$  | TUBE                             | 1         |
| 17            | 10007705       | 堵头                          | PLUG                             | 1         |
| 18            | 10011802       | 螺钉                          | SCREW                            | 1         |
| 19            | 10033246       | 销                           | PIN                              | 1         |
| 20            | 10033245       | 气缸组件                        | AIR CYLINDER BASE                | 1         |
| 21            | 10008119       | 气管 $\Phi 2.5 \times \Phi 4$ | TUBE                             | 1         |
| 22            | 10008228       | SN-3A夹头                     | CABLE CLIP                       | 1         |
| 23            | 10011184       | 螺钉                          | SCREW                            | 1         |
| 24            | 10013710       | 螺母                          | NUT                              | 1         |
| 25            | 10011101       | 螺钉                          | SCREW                            | 1         |
| 26            | 10008831       | 螺钉                          | SCREW                            | 1         |
| 27            | 10010370       | 螺母                          | NUT                              | 1         |
| 28            | 10033441       | 限位块                         | LIMITED BLOCK                    | 1         |
| 29            | 10007620       | 带压力开关的压力表                   | AIR PRESSURE SWITCH              | 1         |

# 9.SENSOR COMPONENTS

## 自动控制部件

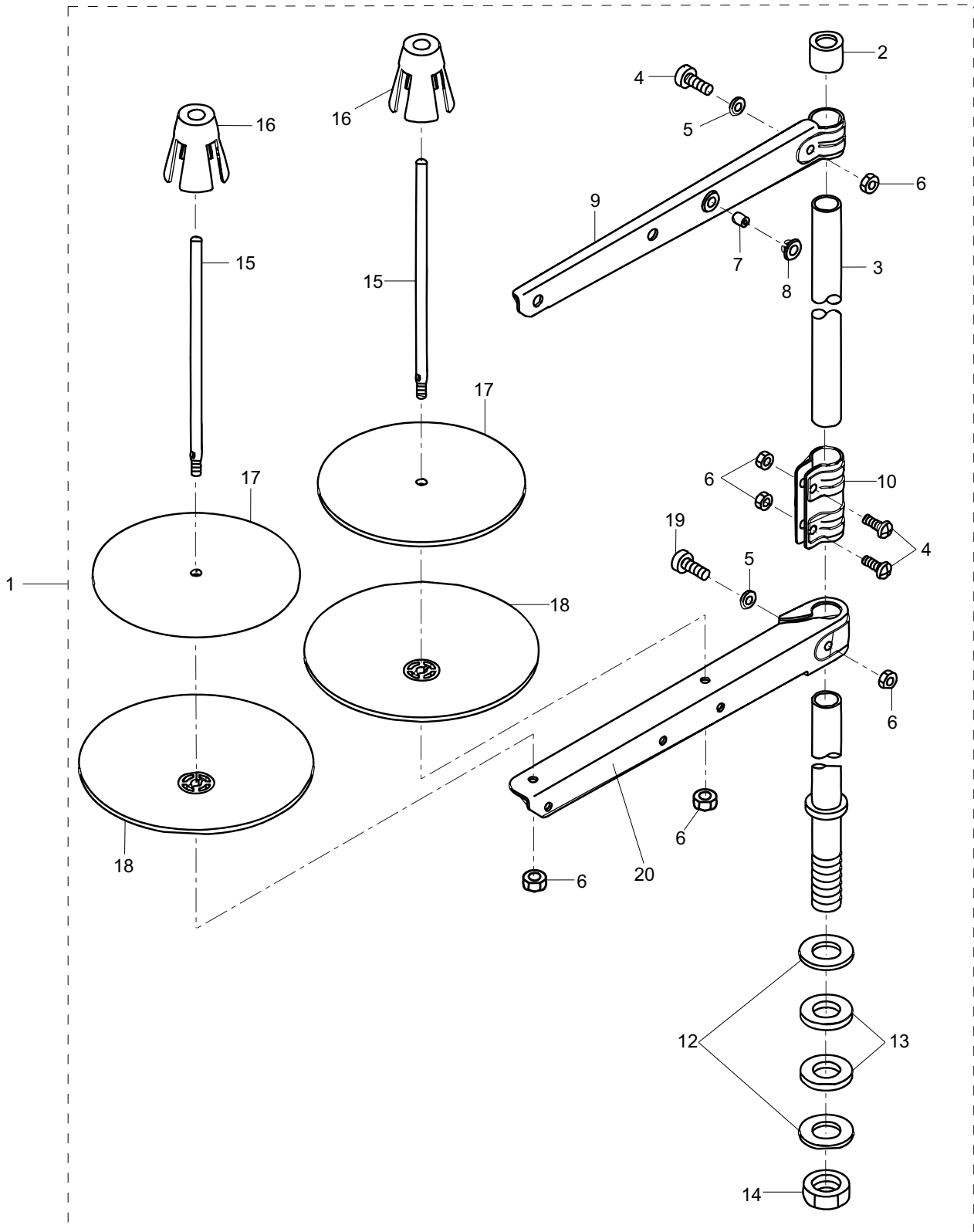


## 9、自动控制部件SENSOR COMPONENTS

| 序号<br>Ref.No. | 件号<br>Part No. | 名称        | Description                              | 数量<br>QTY |
|---------------|----------------|-----------|--|-----------|
| 1             | 10024997       | X向传感线     | X SENSOR CABLE ASM                       | 1         |
| 2             | 10024998       | Y向传感线     | Y SENSOR CABLE ASM                       | 1         |
| 3             | 10024995       | 剪线传感线     | PF SENSOR CABLE ASM                      | 1         |
| 4             | 10024994       | 抬压传感线     | TT SENSOR CABLE ASM                      | 1         |
| 5             | 40000110       | 扎带        | BRAND                                    | 1         |
| 6             | 10014249       | 安全开关固定架   | SAFETY SW BASE                           | 1         |
| 7             | 10014253       | 安全开关拨片    | SAFETY SWITCH ARM                        | 1         |
| 8             | 10012612       | 保险开关支架轴   | SAFETY SW ARM SHAFT                      | 1         |
| 9             | 10008875       | 弹簧        | SPRING                                   | 1         |
| 10            | 10005877       | 螺母        | SAFETY SWITCH NUT                        | 1         |
| 11            | 10024996       | 安全开关小组件   | SAFETY SW CABLE ASM                      | 1         |
| 12            | 10003045       | 螺钉        | SCREW                                    | 2         |
| 13            | 40000363       | 扎带        | BRAND                                    | 1         |
| 14            | 10009456       | 螺钉        | SCREW                                    | 1         |
| 15            | 10025000       | 接地线       | HEAD GRIUND CABLE A ASM                  | 1         |
| 16            | 10010668       | 螺钉        | SCREW                                    | 2         |
| 17            | 40000363       | 扎带        | BRAND                                    | 1         |
| 18            | 10027704       | 转接板信号线_触屏 | THE TRANSFER PLANK SIGNAL OF LCD SCREEN  | 1         |
|               | 10024993       | 转接板信号线_按键 | THE TRANSFER PLANK SIGNAL OF KEY-PRESS   | 1         |
| 19            | 10036250       | D型15P插头   | D TYPE A PLUG                            | 1         |
| 20            | 10040276       | 电控箱_触屏    | THE CONTROL BOX OF LCD SCREEN            | 1         |
|               | 10040397       | 闭环电控箱_触屏  | THE CLOSE LOOP CONTROL BOX OF LCD SCREEN | 1         |
|               | 10040396       | 闭环电控箱_按键  | THE CLOSE LOOP CONTROL BOX OF KEY-PRESS  | 1         |
| 21            | 10009103       | 螺钉        | SCREW                                    | 4         |
| 22            | 10027703       | 机头转接板_触屏  | THE TRANSFERS PLANK OF LCD SCREE         | 1         |
|               | 10024991       | 机头转接板_按键  | THE TRANSFERS PLANK OF KEY-PRESS         | 1         |
| 23            | 10024992       | 转接板支柱     | THE TRANSFERS PLANK PILLAR               | 4         |

# 10.THREAD STAND COMPONENTS

## 线架部件



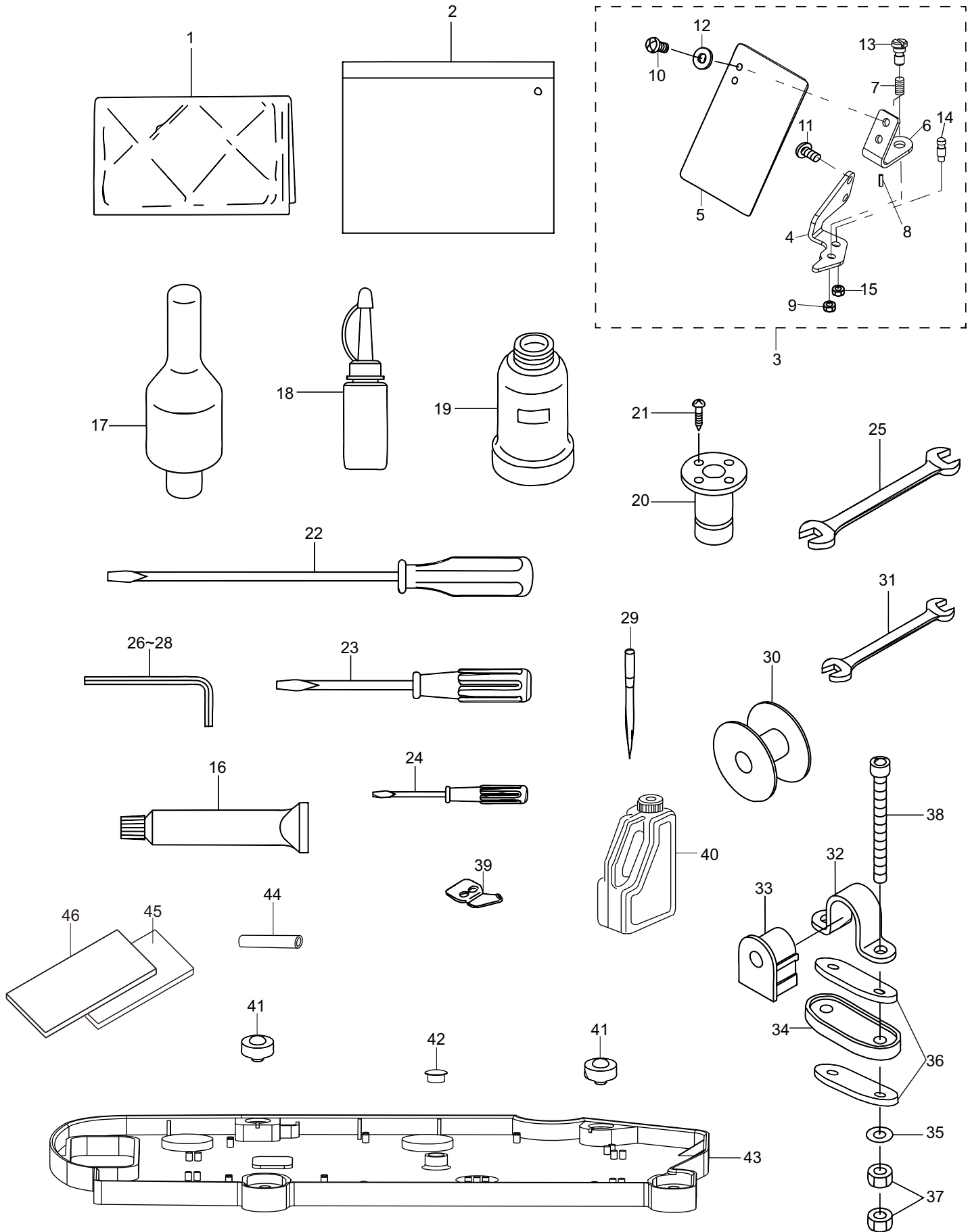


## 10、线架部件THREAD STAND COMPONENTS

| 序号<br>Ref.No. | 件号<br>Part No. | 名称      | Description                  | 数量<br>QTY |
|---------------|----------------|---------|------------------------------|-----------|
| 1             | 10007130       | 二线架组件   | THREAD STAND ASM             | 1         |
| 2             | 10004282       | 撑管套     | COLUMN CAP                   | 1         |
| 3             | 10004293       | 线架上撑管   | COLUMN PIPE                  | 1         |
| 4             | 10003301       | 上过线架螺钉  | SCREW                        | 2         |
| 5             | 10003022       | 上过线架垫圈  | WASHER                       | 2         |
| 6             | 10002953       | 上过线架螺母  | NUT                          | 5         |
| 7             | 10004289       | 过线管     | THREAD GUIDE PIPE            | 2         |
| 8             | 10004285       | 过线管套    | THREAD GUIDE BUSHING         | 2         |
| 9             | 10004298       | 上过线架    | THREAD HANGER                | 1         |
| 10            | 10004286       | 撑管夹     | COLUMN PIPE CONNECTOR        | 1         |
| 11            | 10004291       | 线架下撑管   | COLUMN PIPE                  | 1         |
| 12            | 10004295       | 线架下撑管垫圈 | WASHER                       | 2         |
| 13            | 10004290       | 垫圈      | WASHER                       | 2         |
| 14            | 10002985       | 下过线架螺母  | NUT                          | 1         |
| 15            | 10004288       | 线轴      | SPOOL PIN                    | 2         |
| 16            | 10004287       | 线盘塑料压块  | SPOOL CUSHION                | 2         |
| 17            | 10004281       | 线盘软垫    | SOFT CUSHION OF THREAD PLARE | 2         |
| 18            | 10004299       | 线盘      | THREAD PLATE                 | 2         |
| 19            | 10003312       | 下过线架螺钉  | SCREW                        | 1         |
| 20            | 10004292       | 下过线架    | THREAD HANGER                | 1         |

# 11.ACCESSORIES PART COMPONENTS

## 附件



## 11、附件ACCESSORIE PART COMPONENTS

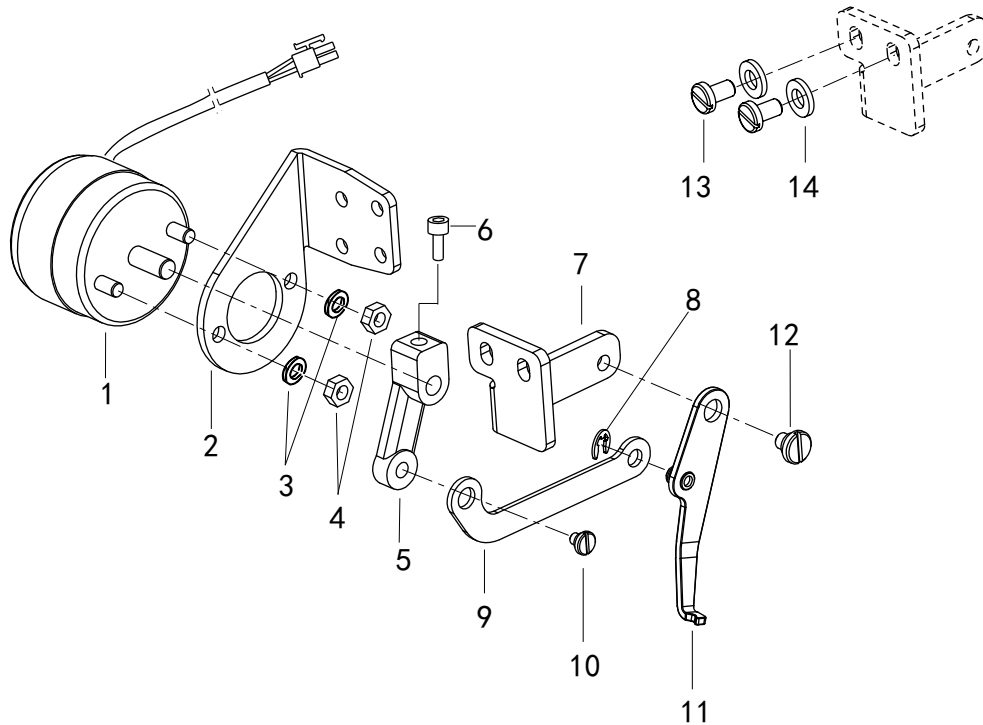
| 序号<br>Ref.No. | 件号<br>Part No. | 名称      | Description                   | 数量<br>QTY |
|---------------|----------------|---------|-------------------------------|-----------|
| 1             | 10004724       | 机头罩     | VINYL COVER                   | 1         |
| 2             | 10004492       | 机头套     | ACCESSORY BOX                 | 1         |
| 3             | 20004358       | 眼睛防护罩组件 | SAFETY PLATE ASM.             | 1         |
| 4             | 10011632       | 安全板座    | SAFETY PLATE INSTALLING BASE  | 1         |
| 5             | 10011636       | 安全板     | SAFETY PLATE                  | 1         |
| 6             | 10004725       | 安全板架    | SAFETY PLATE INSTALLING PLATE | 1         |
| 7             | 10011678       | 弹簧      | SPRING                        | 1         |
| 8             | 10002880       | 销       | PIN                           | 1         |
| 9             | 10004507       | 螺母      | NUT                           | 1         |
| 10            | 10011570       | 螺钉      | SCREW                         | 2         |
| 11            | 10011570       | 螺钉      | SCREW                         | 2         |
| 12            | 10011680       | 垫圈      | WASHER                        | 2         |
| 13            | 10011677       | 螺钉轴     | HINGE SCREW                   | 1         |
| 14            | 10011633       | 销       | PIN                           | 1         |
| 15            | 10011682       | 螺母      | NUT                           | 1         |
| 16            | 20009052       | 油脂软膏    | GREASE                        | 1         |
| 17            | 10011749       | 机头支承杆   | HEAD SUPPORT BAR              | 1         |
| 18            | 10005356       | 油壶      | OILER                         | 1         |
| 19            | 10011681       | 油杯      | OIL CAN                       | 1         |
| 20            | 10011683       | 油杯座     | OIL MANAGEMENT                | 1         |
| 21            | 10003157       | 螺钉      | SCREW                         | 4         |
| 22            | 10010994       | 大螺丝刀    | SCREW DRIVER LARGE            | 1         |
| 23            | 10010995       | 中螺丝刀    | SCREW DRIVER MIDDLE           | 1         |
| 24            | 10013185       | 小螺丝刀    | SCREW DRIVER SMALL            | 1         |
| 25            | 10003368       | 呆板手     | WRENCH                        | 1         |
| 26            | 10009685       | 内六角扳手3  | HEXAGONAL WRENCH SMALL        | 1         |
| 27            | 10009687       | 内六角扳手4  | HEXAGONAL WRENCH LARGE        | 1         |
| 28            | 10009689       | 内六角扳手5  | HEXAGONAL SPANNER             | 1         |
| 29            | 10023286       | 机针      | NEEDLE                        | 1         |
| 30            | 10004592       | 梭芯      | BOBBIN                        | 1         |
| 31            | 10003369       | 呆板手     | WRENCH                        | 1         |
| 32            | 10011160       | 支撑固定架   | BED HINGE                     | 2         |
| 33            | 10011137       | 机头胶垫    | HINGE RUBBER                  | 2         |
| 34            | 10014251       | 机对胶垫底座  | BED HINGE RUBBER              | 2         |
| 35            | 10003076       | 垫圈      | WASHER                        | 4         |
| 36            | 10011747       | 垫片      | WASHER                        | 4         |
| 37            | 10003084       | 螺母      | NUT                           | 4         |
| 38            | 10011147       | 螺栓      | SCREW                         | 4         |
| 39            | 10011501       | 定刀      | FIXING KNIFE                  | 1         |
| 40            | 10004455       | 油箱      | OIL BOX                       | 1         |
| 41            | 10013102       | 机头座垫    | SUPPORT RUBBER                | 2         |
| 42            | 10011136       | 橡胶塞     | RUBBER PLUG                   | 1         |
| 43            | 10031322       | 油盘      | OIL TRAY                      | 1         |
| 44            | 10030550       | 提升架套    | SET UP SHELF SLEEVE           | 1         |
| 45            | 10040628       | 使用说明书   | INSTRUCTIONS                  | 1         |
| 46            | 10040630       | 零件手册    | PARTS LIST                    | 1         |

## 12. WIPER MECHANISM COMPONENTS

扫线部件

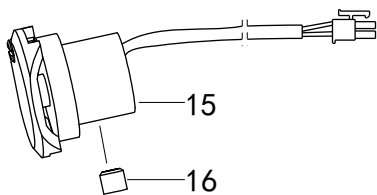
1900DSS-0604P SPECIAL PARTS

1900DSS-0604P 专用件



1900DSS-0604P-J 专用件

1900DSS-0604P-J SPECIAL PARTS



## 12、扫线部件 WIPER MECHANISM COMPONENTS

| 序号<br>Ref.No. | 件号<br>Part No. | 名 称      | Description               | 数量<br>QTY |
|---------------|----------------|----------|---------------------------|-----------|
| 1             | 10013210       | 扫线电磁铁    | SOLENOID FOR WIPER ASM.   | 1         |
| 2             | 10030553       | 扫线电磁铁固定板 | SOLENOID FITTING FLATE    | 1         |
| 3             | 10004670       | 垫圈       | THRUST COLLAR             | 1         |
| 4             | 10002076       | 螺母       | NUT                       | 2         |
| 5             | 10011715       | 扫线曲柄     | WIPER ARM                 | 1         |
| 6             | 10013616       | 螺钉       | SCREW                     | 1         |
| 7             | 10030558       | 扫线固定架    | FIXED SHELVES             | 1         |
| 8             | 10009653       | 卡簧       | RETAINING RING            | 1         |
| 9             | 10030554       | 扫线连杆     | WIPER LINK                | 1         |
| 10            | 10011716       | 螺钉       | SCREW                     | 1         |
| 11            | 10030555       | 扫线杆组件    | WIPER ASM                 | 1         |
| 12            | 10030559       | 螺钉       | SCREW                     | 1         |
| 13            | 10010668       | 螺钉       | SCREW                     | 2         |
| 14            | 10010741       | 垫圈       | WASHER                    | 2         |
| 15            | 10037836       | 小电子夹线器   | SMALL THREAD TENSION ASM. | 1         |
| 16            | 10013590       | 螺钉       | SCREW                     | 1         |