

目 录

CONTENTS

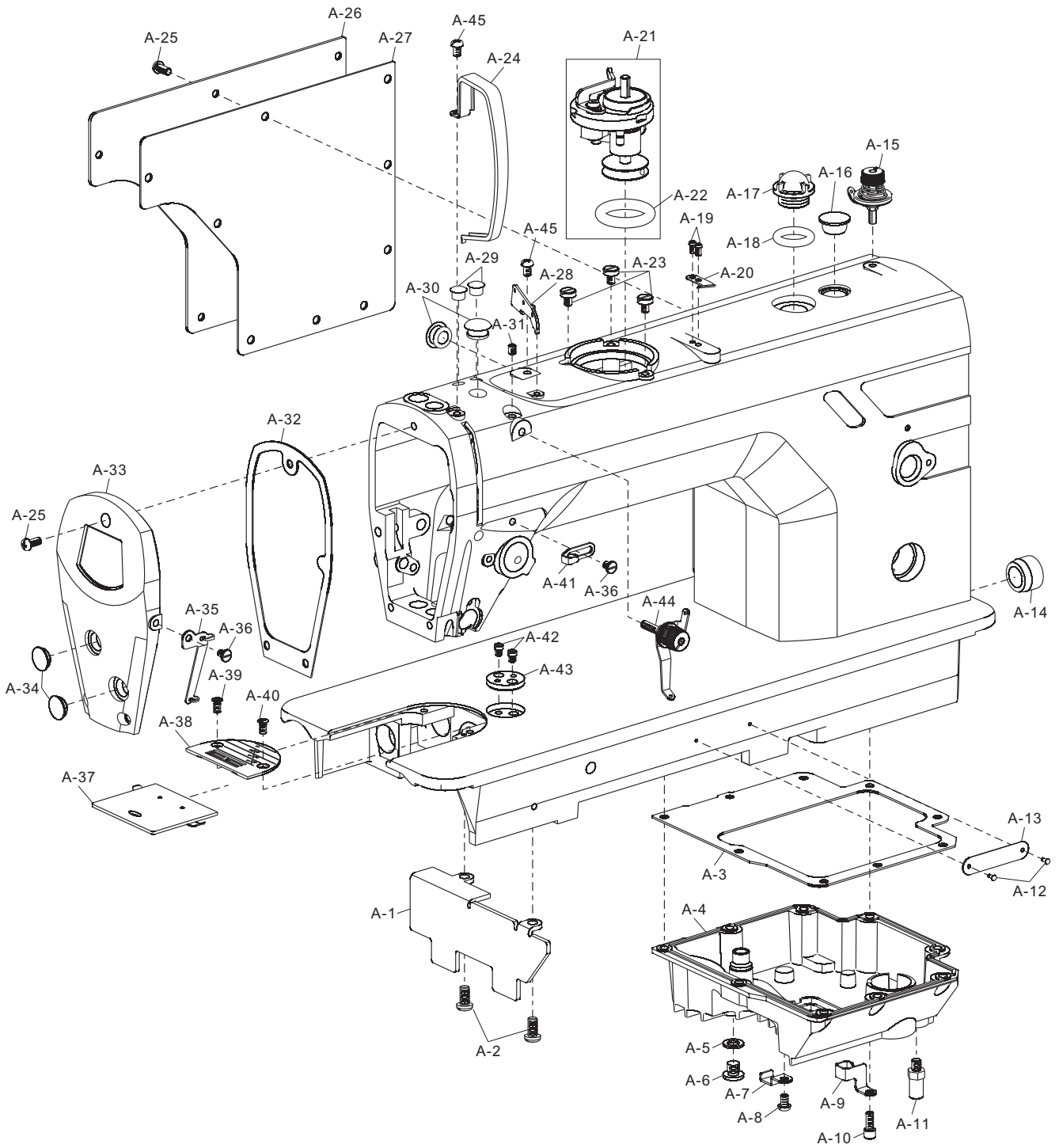
零件样本 Parts Book

A	机壳分组件 Machine Frame & Miscellaneous Cover Components	33
B	上轴、挑线分组件 Main Shaft & Thread Take-up Cover Components	35
C	抬压脚分组件 Hang Lifter & Tension Release Components	37
D	勾线分组件 Hook Of Driving Shaft Components	41
E	送料分组件 Feed Mechanism Components	43
F	剪线分组件 Thread Trimmer Components	47
G	润滑分组件 Lubrication Components	51
H	电控分组件 Drive-by-wire Components	53
I	过线架分组件 Components Of Thread-running Stand	55
J	附件 Auxiliaries	57

A

机壳分组件

Machine Frame & Miscellaneous Cover Components



A

机壳分组件

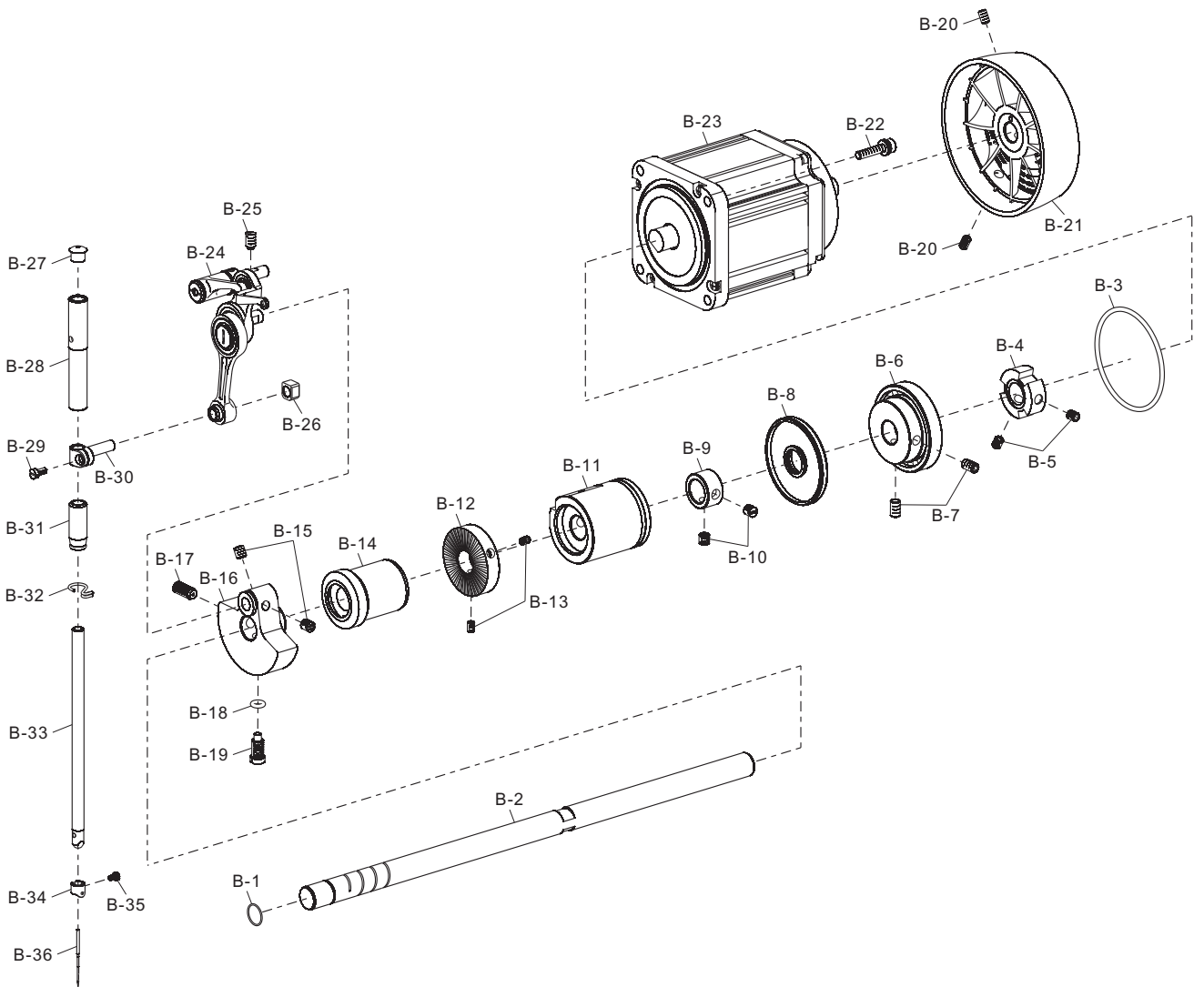
Machine Frame & Miscellaneous Cover Components

序号 Ref. No.	件号 Part No.	名称	Name of part	数量 QTY	备注 Remark
A-1	10052014	前支撑板	Front Shaft sleeve plate	1	
A-2	10010292	SM15/64"×28螺钉	Screw SM15/64"×28	2	
A-3	10050168	箱盖密封垫	Tank cover gasket	1	
A-4	10050169	齿轮箱盖	Tank cover	1	
A-5	10009988	7.8×13.5×1.3垫圈	Washer 7.8×13.5×1.3	1	
A-6	10009991	SM5/16"×24螺钉	Screw SM5/16"×25	1	
A-7	10052301	电线压板	Wire holder	1	
A-8	10010899	SM3/16"×28螺钉	Screw SM3/16"×28	1	
A-9	10052302	电线压板	Wire holder	1	
A-10	10004611	SM3/16"×28螺钉	Screw SM3/16"×28	9	
A-11	10051330	底板支柱	Bed screw stud	2	
A-12	10002840	2×5铆钉	Rivet 2×5	2	
A-13	10041059	编号牌	Nubering card	1	
A-14	10040969	油塞	Rubber plug	1	
A-15	10051431	绕线夹线器组件	Bobbin thread tension ASM.	1	
A-16	10009576	橡胶塞	Rubber plug	1	
A-17	10008938	油窗	Oil window	1	
A-18	10008939	19×3 O形圈	O-ring 19×3	1	
A-19	10050423	SM9/64"×40螺钉	Screw SM9/64"×40	2	
A-20	10011149	绕线切刀	Thread cutter	1	
A-21	*	绕线器	Bobbin wider ASM.	1	
A-22	10008773	橡胶轮	Rubber ring	1	
A-23	10004380	SM3/16"×32螺钉	Screw SM3/16"×32	3	
A-24	10014082	挑线杆护罩	Thread take-up lever cover	1	
A-25	10008972	SM3/16"×28螺钉	Screw SM3/16"×28	12	
A-26	20019350	后窗板	Side plate	1	
A-27	10052026	后窗板垫	Side plate gasket	1	
A-28	10052992	过线板	Thread guide plate	1	
A-29	10008943	橡胶塞	Rubber plug	2	
A-30	10008942	橡胶塞	Rubber plug	2	
A-31	10041529	SM3/16"×28螺钉	Screw SM3/16"×28	1	
A-32	*	面板垫	Face plate gasket	1	
A-33	*	面板	Face plate	1	
A-34	10008977	橡胶塞	Rubber plug	2	
A-35	10040996	左线勾	Arm thread guide left	1	
A-36	10008973	SM11/64"×40螺钉	Screw SM11/64"×40	2	
A-37	10013706	推板部件	Push plate ASM.	1	
A-38	10053850	针板	Needle plate	1	
A-39	10012463	SM11/64"×40螺钉	Screw SM11/64"×40	1	
A-40	10009005	SM11/64"×40螺钉	Screw SM11/64"×40	1	
A-41	10008940	右线钩	Arm thread guide right	1	
A-42	10004374	SM11/64"×40螺钉	Screw SM11/64"×40	2	
A-43	10004373	限位挡片	Ruler plate	1	
A-44	10051703	上夹线器部件	Upper thread take-up device ASM.	1	
A-45	10008934	SM3/16"×28螺钉	Screw SM3/16"×28	2	

B

上轴、挑线分组件

Main Shaft & Thread Take-up Cover Components



B

上轴、挑线分组件

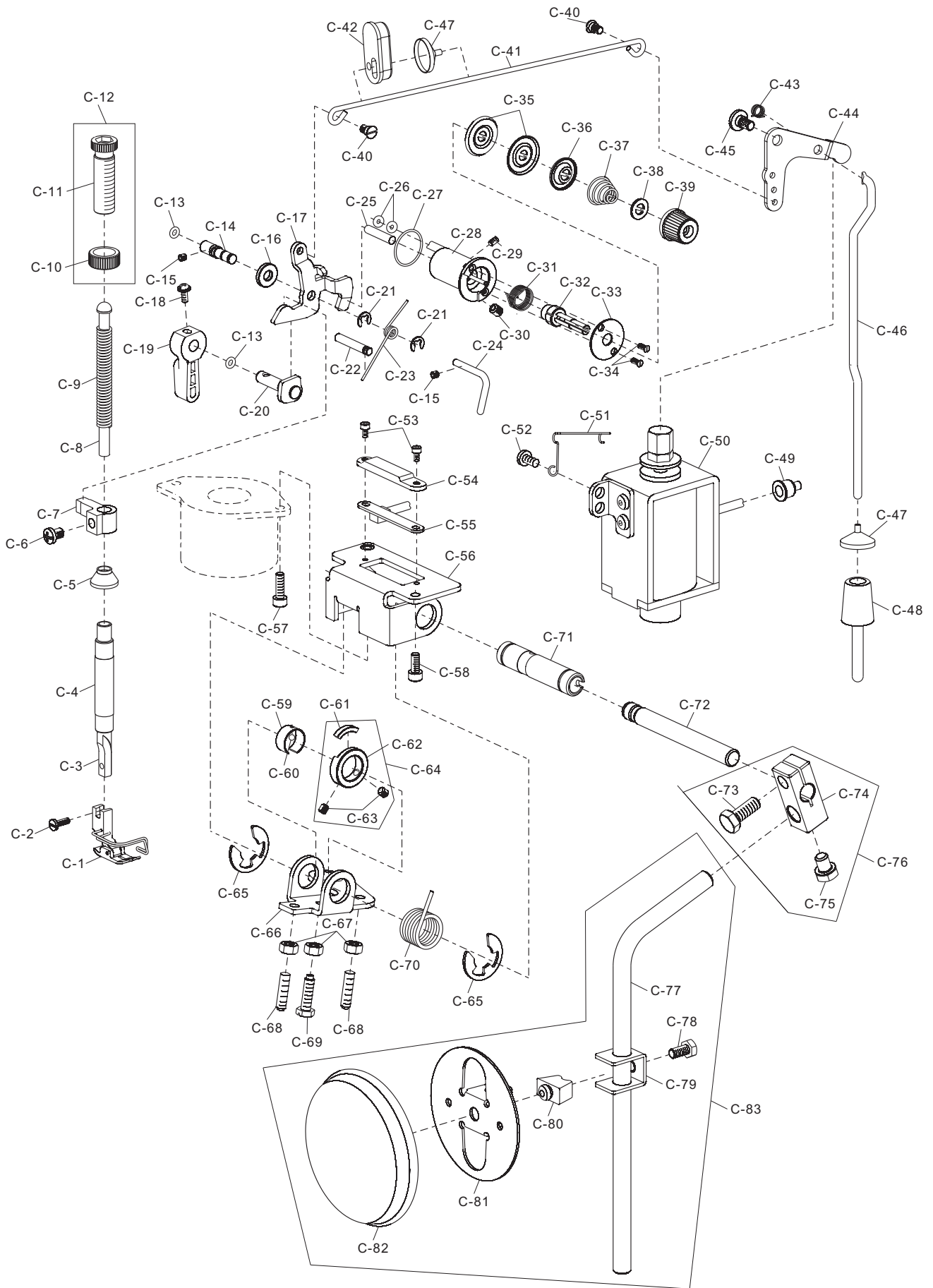
Main Shaft & Thread Take-up Cover Components

序号 Ref. No.	件号 Part No.	名称	Name of part	数量 QTY	备注 Remark
B-1	10008886	12.2×0.8 O型圈	O-ring 12.2×0.8	1	
B-2	10040981	上轴	Main shaft	1	
B-3	10003796	63×2.65 O形圈	O-ring 63×2.65	1	
B-4	10040329	电机联轴器	Coupling	1	
B-5	10050053	M6×0.75螺钉	Screw M6×0.75	2	
B-6	10032938	上轴联轴器	Coupling	1	
B-7	10012161	M6×0.75螺钉	Screw M6×0.75	2	
B-8	10008803	14.72×55×5油封	Oil seal 14.72×55×5	1	
B-9	10051571	挡圈	Thrust collar	1	
B-10	10005020	SM1/4"×40螺钉	Screw SM1/4"×40	2	
B-11	10040992	上轴中轴套	Shaft sleeve	1	
B-12	10004472	绕线主动轮	Driving wheel	1	
B-13	10012062	SM11/64"×40螺钉	Screw SM11/64"×40	2	
B-14	10053352	上轴前轴套	Shaft sleeve	1	
B-15	10005020	SM1/4"×40螺钉	Screw SM1/4"×40	2	
B-16	10008850	针杆曲柄	Counter weight	1	
B-17	10010082	SM9/32"×28螺钉	Screw SM9/32"×28	1	
B-18	10010534	9.2×2.4O形圈	O-ring 9.2×2.4	1	
B-19	10010545	SM9/32"×28螺钉	Screw SM9/32"×28	1	
B-20	10002436	M5×8螺钉	Screw M5×8	2	
B-21	10051432	上轮组件	Head wheel ASM.	1	
B-22	10006157	M5螺钉组件	Screw M5 ASM.	4	
B-23	10047632	电机	Motor	1	
B-24	10049825	挑线杆组件	Thread take-up lever ASM.	1	
B-25	10010083	SM15/64"×28螺钉	Screw SM15/64"×28	1	
B-26	10010586	针杆连接柱滑块	Sliding block	1	
B-27	10010587	橡胶塞	Rubber plug	1	
B-28	10053132	针杆上轴套	Shaft sleeve	1	
B-29	10030286	SM9/64"×40螺钉	Screw SM9/64"×40	1	
B-30	10010590	针杆连接柱	Needle bar holder	1	
B-31	10008955	针杆下轴套	Shaft sleeve	1	
B-32	10005943	针杆下轴套线钩	Needle bar thread guide	1	
B-33	10029605	针杆	Needle bar	1	
B-34	10013181	针杆过线环	Needle bar thread guide	1	
B-35	10013182	SM1/8"×40螺钉	Screw SM1/8"×40	1	
B-36	10034917	DB×1 14#机针	Needle DB×1 14#	1	

C

抬压脚分组件

Hang Lifter & Tension Release Components





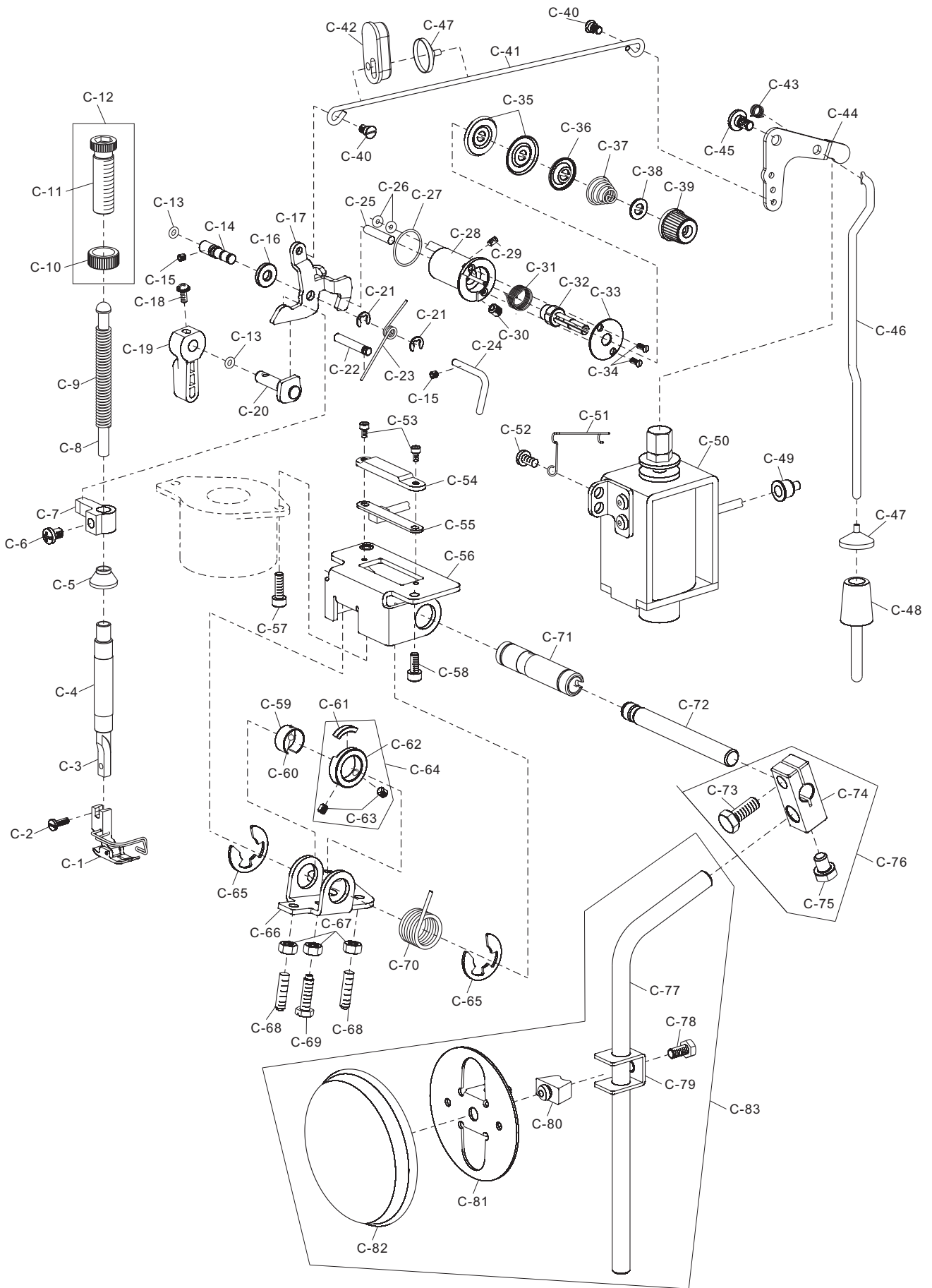
抬压脚分组件
Hang Lifter & Tension Release Components

序号 Ref. No.	件号 Part No.	名称	Name of part	数量 QTY	备注 Remark
C-1	10052532	压脚组件	Presser foot ASM.	1	
C-2	10010650	SM9/64"×40螺钉	Screw SM9/64"×40	1	
C-3	10010646	压杆	Presser bar	1	
C-4	10014118	压杆轴套	Shaft sleeve	1	
C-5	10011457	压杆防油罩	Oil protector cover	1	
C-6	10000325	M6×8螺钉	Screw M6×8	1	
C-7	10039365	压杆导架	Presser guide bar bracket	1	
C-8	10004439	调压导杆	Presser guide bar	1	
C-9	10004473	调压弹簧	Spring	1	
C-10	10051429	调压螺母	Nut	1	
C-11	10051428	调压螺钉	Screw	1	
C-12	10051433	调压螺钉组件	Screw ASM.	1	
C-13	10010027	3.68×1.78 O形圈	O-ring 3.68×1.78	2	
C-14	10039373	松线顶板销	Pin	1	
C-15	10009074	M4×4螺钉	Screw M4×4	2	
C-16	10051244	6.2×15×2.7垫片	Gasket 6.2×15×2.7	1	
C-17	10051168	压脚升降板	Lifting lever	1	
C-18	10010016	SM9/64"×40螺钉	Screw SM9/64"×40	1	
C-19	10051430	压脚扳手	Hand lifter	1	
C-20	10050190	压脚扳手凸轮部件	Hand lifter CAM ASM.	1	
C-21	10013038	5×0.8挡圈	Closing ring 5×0.8	2	
C-22	10039374	限位销	Pin	1	
C-23	10052046	压脚升降板复位簧	Spring	1	
C-24	10039823	缓线钩	Presser bar thread guide	1	
C-25	10037578	松线辅钉	Tension release supporting pin	1	
C-26	10053384	2×1.8 O型圈	O-ring 2×1.8	1	
C-27	10053484	17×1 O形圈	O-ring 17×1	1	
C-28	10053473	松线电磁铁	Electromagnetic	1	
C-29	10002896	M4×5螺钉	Screw M4×5	1	
C-30	10010678	SM15/64"×28螺钉	Screw SM15/64"×28	1	
C-31	10053259	挑线弹簧	Spring	1	
C-32	10037581	夹线螺钉	Screw	1	
C-33	10051910	锁紧板	Lock plate	1	
C-34	10010399	SM3/32"×56螺钉	Screw SM3/32"×56	2	
C-35	10005489	过线板	Thread tension disk	2	
C-36	10004625	松线板	Thread tension disk presser	1	
C-37	10004176	弹簧	Spring	1	
C-38	10004199	夹线制动板	Rotating stopper	1	
C-39	10051457	松线器螺母	Thread tension nut	1	
C-40	10010651	SM3/16"×32螺钉	Screw SM3/16"×32	2	
C-41	10053854	抬压脚拉杆	Lifting lever connecting rod	1	
C-42	10053578	橡胶塞	Rubber plug	1	
C-43	10009205	弹簧	Spring	1	
C-44	10051828	抬压脚后杠杆	Lifting lever link	1	
C-45	10010652	后杠杆轴位螺钉	Screw	1	
C-46	10050667	抬压脚顶杆	Connecting rod vertical	1	
C-47	10053351	隔油罩	Oil shield	2	

C

抬压脚分组件

Hang Lifter & Tension Release Components



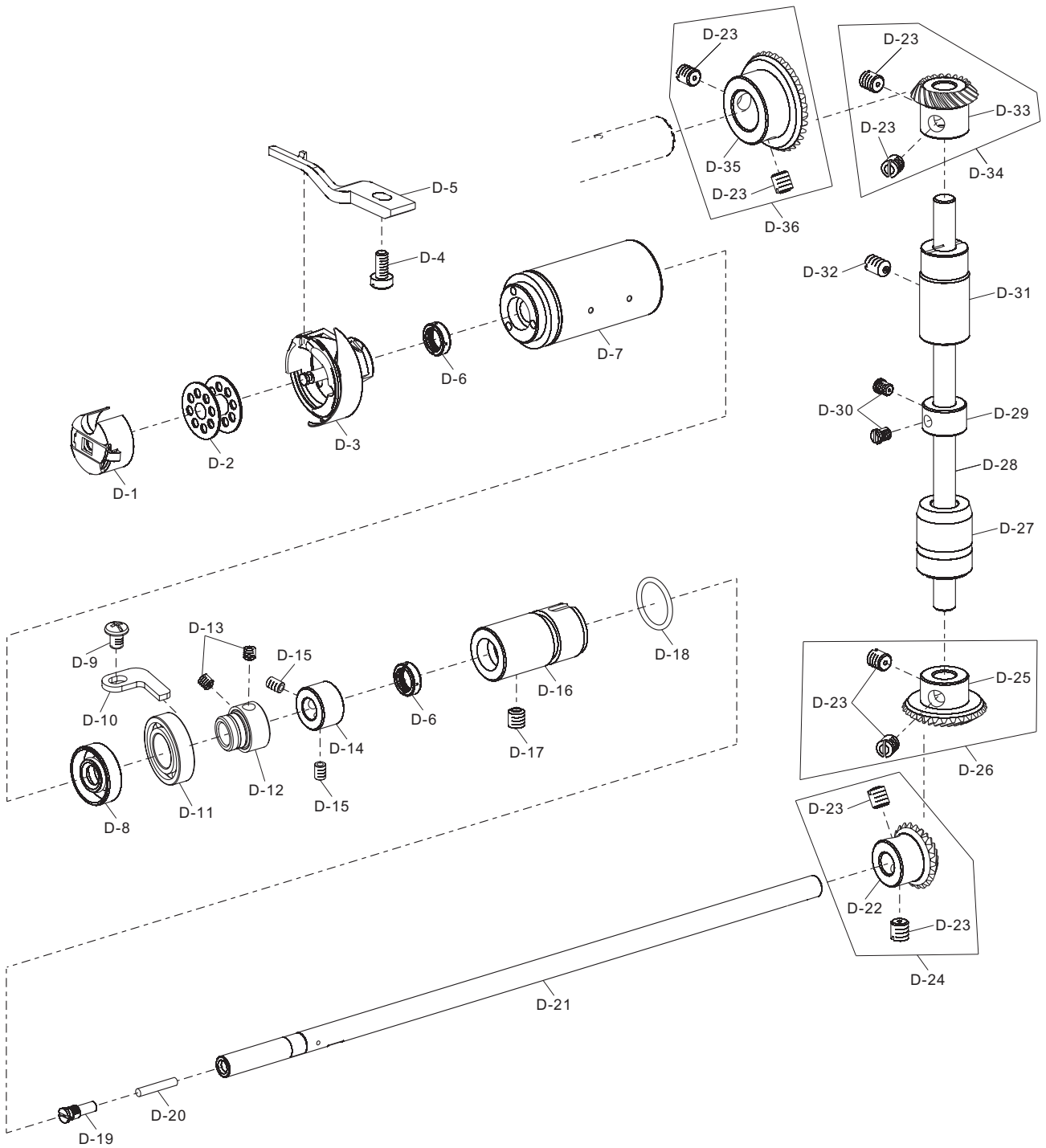


抬压脚分组件
Hang Lifter & Tension Release Components

序号 Ref. No.	件号 Part No.	名称	Name of part	数量 QTY	备注 Remark
C-48	10051176	膝提顶杆	Lifting mandril	1	
C-49	10040990	过线套	Cable sleeve	1	
C-50	10051708	抬压电磁铁	Electromagnetic	1	
C-51	10053527	胶管固定钩	Wire holder	1	
C-52	10000134	M5×10螺钉	Screw M5×10	4	
C-53	10002975	M3×6螺钉	Screw M3×6	2	
C-54	10052808	膝提助力传感器盖板	Cover	1	
C-55	10052527	膝提助力传感器	Force sensor cluster	1	
C-56	10051700	膝提座组件	Knee pressing rod bracket ASM.	1	
C-57	10054287	SM3/16"×28螺钉	Screw SM3/16"×28 L=20	1	
C-58	10054531	SM3/16"×28螺钉	Screw SM3/16"×28 L=12	1	
C-59	10051622	钢球保持架	Ball retainer	1	
C-60	10051704	钢球	Iron shot	1	
C-61	10052525	感应磁铁	Magnet	1	
C-62	10052526	环形铝体	Aluminum ring	1	
C-63	10003153	M5×5螺钉	Screw M5×5	2	
C-64	10052524	感应磁铁组件	Magnet ASM.	1	
C-65	10003229	15×1.5挡圈	Closing ring 15×1.5	2	
C-66	10051174	抬压脚曲柄	Crank	1	
C-67	10003890	M6×3.2螺母	Nut M6×3.2	3	
C-68	10054545	M6×24螺钉	Screw M6×24	2	
C-69	10051614	M6螺钉	Screw M6	1	
C-70	10051175	复位簧	Spring	1	
C-71	10051178	抬压脚轴	Knee pressing shaft	1	
C-72	10051169	操纵杆部件	Knee pressing rod ASM.	1	
C-73	10002613	M8×20螺栓	Bolt M8×20	1	
C-74	10003896	抬压脚操纵接头	Connection	1	
C-75	10002610	M8×10螺栓	Bolt M8×10	1	
C-76	10002562	抬压脚操纵杆接头组件	Connection ASM.	1	
C-77	10052479	操纵杆	Knee pressing rod	1	
C-78	10003894	SM15/64"×28螺钉	Screw SM15/64"×28	1	
C-79	10003897	操纵杆接头	Connection	1	
C-80	10003900	操纵杆垫	Knee pressing plate rubber	1	
C-81	10003891	操纵板	Knee pressing plate	1	
C-82	10004223	操纵板软垫	Knee pressing cover	1	
C-83	10052476	操纵杆部件	Knee pressing rod ASM.	1	

D

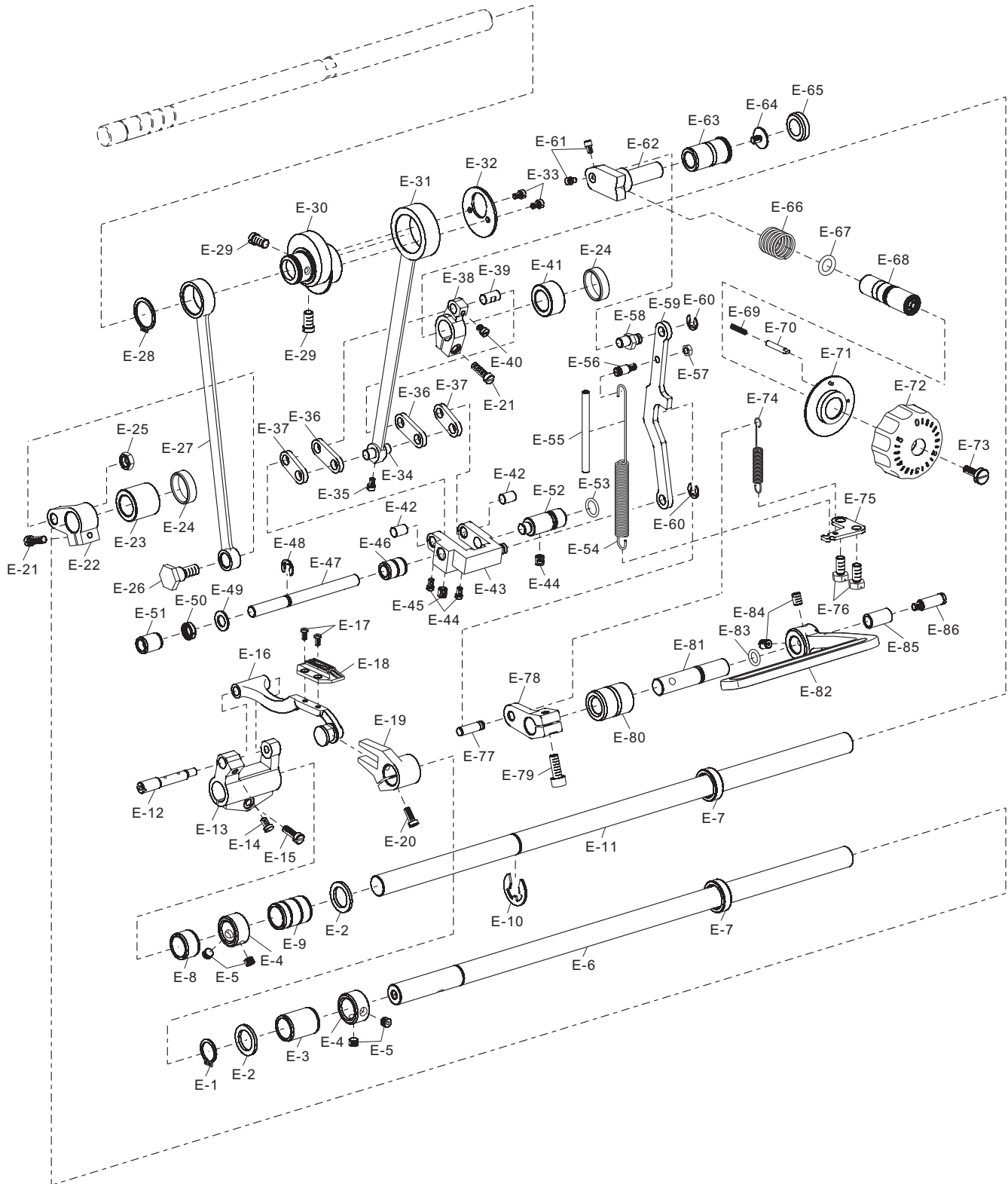
勾线分组件 Hook Of Driving Shaft Components





勾线分组件
Hook Of Driving Shaft Components

序号 Ref. No.	件号 Part No.	名称	Name of part	数量 QTY	备注 Remark
D-1	10006924	梭壳	Bobbin case	1	
D-2	10025484	梭芯	Bobbin	1	
D-3	*	旋梭	Hook	1	
D-4	10011101	SM11/64"×40螺钉(-D4)	Screw SM11/64"×40 (-D4)	1	
	10052410	SM11/64"×40螺钉(-D4S)	Screw SM11/64"×40 (-D4S)	1	
D-5	10031260	旋梭定位钩(-D4)	Positioning finger (-D4)	1	
	10052408	旋梭定位钩(-D4S)	Positioning finger (-D4S)	1	
D-6	10013029	7.94×12×3.5油封	Oil sealing 7.94×12×3.5	2	
D-7	10040984	下轴前轴套	Bearing Shaft sleeve	1	
D-8	10014503	7.94×22×6.5油封	Oil sealing 7.94×22×6.5	1	
D-9	10013128	SM11/64"×40螺钉	Screw SM11/64"×40	1	
D-10	10053633	轴承挡板	Bearing baffle	1	
D-11	10026221	6901-ZZ_B0M轴承	Bearing	1	
D-12	10000458	旋梭轴轴承挡圈	Bearing sleeve	1	
D-13	10013590	SM11/64"×40螺钉	Screw SM11/64"×40	2	
D-14	10052812	挡圈	Thrust collar	2	
D-15	10012062	SM11/64"×40螺钉	Screw SM11/64"×40	4	
D-16	10041546	下轴后轴套	Bearing Shaft sleeve	1	
D-17	10013538	SM15/64"×28螺钉	Screw SM15/64"×28	1	
D-18	10003794	16×1.8 O形圈	O-ring 16×1.8	1	
D-19	10010064	下轴限油螺钉	Screw	1	
D-20	10010063	油芯	Oil wick	1	
D-21	10041001	下轴	Hook driving shaft	1	
D-22	10010062	下轴伞齿轮	Gear	1	
D-23	10010065	SM11/4"×40螺钉	Screw SM11/4"×40	8	
D-24	10002561	下轴伞齿轮组件	Gear ASM.	1	
D-25	10010029	竖轴下伞齿轮	Gear	1	
D-26	10002509	竖轴下伞齿轮组件	Gear ASM.	1	
D-27	10007235	竖轴下轴套	Shaft sleeve	1	
D-28	10051572	竖轴	Upright shaft	1	
D-29	10010058	挡圈	Thrust collar	1	
D-30	10010059	SM11/64"×40螺钉	Screw SM11/64"×40	2	
D-31	10052730	竖轴上轴套	Shaft sleeve	1	
D-32	10039610	SM3/16"×28螺钉	Screw SM3/16"×28	1	
D-33	10003937	竖轴上伞齿轮	Gear	1	
D-34	10002560	竖轴上伞齿轮组件	Gear ASM.	1	
D-35	10010056	上轴伞齿轮	Gear	1	
D-36	10002445	上轴伞齿轮组件	Gear ASM.	1	



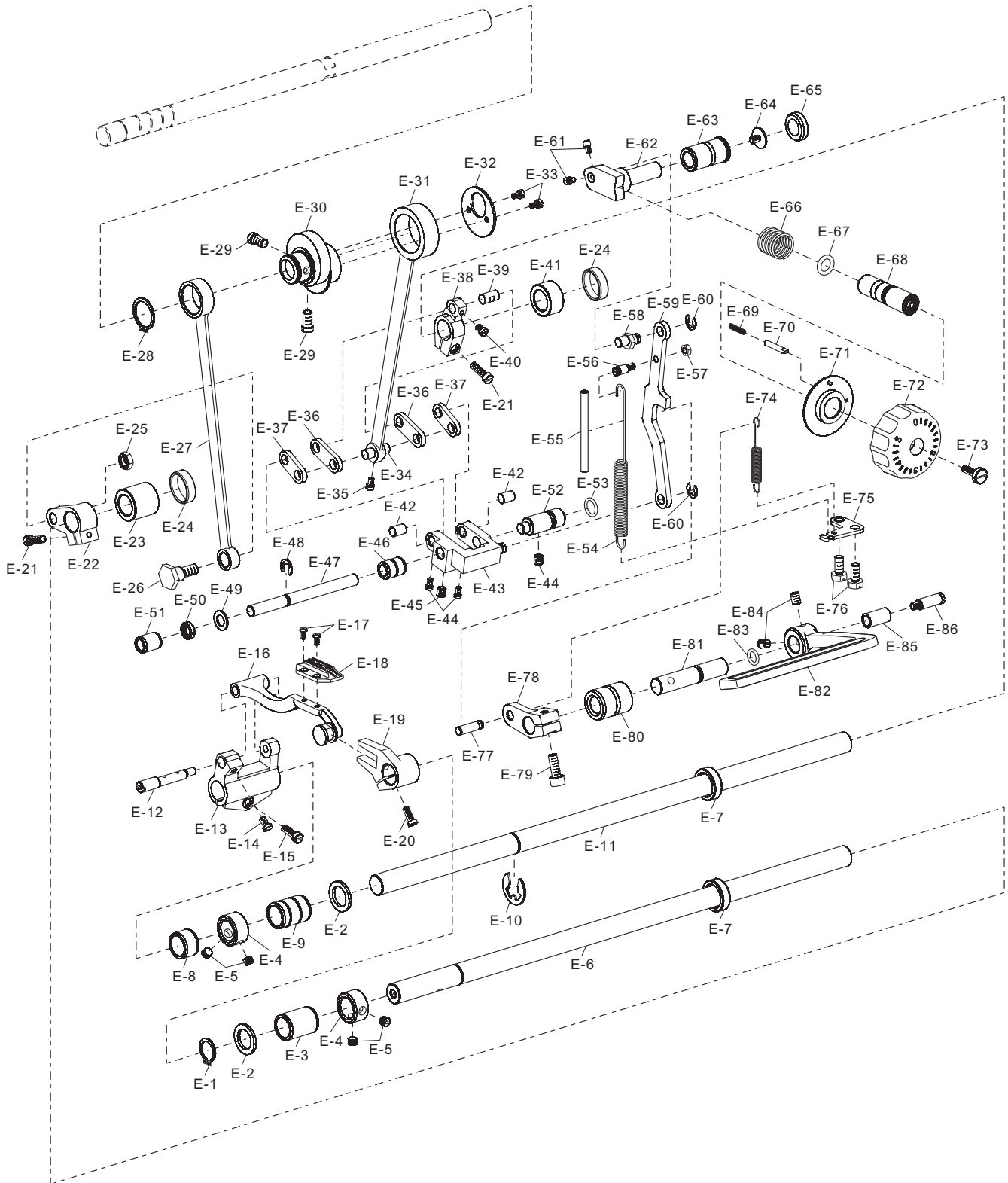


送料分组件
Feed Mechanism Components

序号 Ref. No.	件号 Part No.	名称	Name of part	数量 QTY	备注 Remark
E-1	10010090	13.8×1挡圈	Closing ring 13.8×1	1	
E-2	10010902	15×23×2垫圈	Washer 15×23×2	2	
E-3	10040977	拾牙轴前轴套	Shaft sleeve	1	
E-4	10010542	挡圈	Closing ring	2	
E-5	10038073	SM1/4"×40螺钉	Screw SM1/4"×40	4	
E-6	10040985	拾牙轴	Feed driving shaft	1	
E-7	10012536	14.72×22×7油封	Oil seal 14.72×22×7	2	
E-8	10050164	送料轴前轴套	Shaft sleeve	1	
E-9	10052043	送料轴中轴套	Shaft sleeve	1	
E-10	10003232	12×1.2挡圈	Closing ring 12×1.2	1	
E-11	10040983	送料轴	Feed rocker shaft	1	
E-12	10004440	牙架座偏心销	Pin	1	
E-13	10004474	牙架座	Feed bar driving crank	1	
E-14	10010074	SM11/64"×40螺钉	Screw SM11/64"×40	1	
E-15	10004993	SM3/16"×28螺钉	Screw SM3/16"×28	1	
E-16	20019012	牙架部件	Feed bar ASM.	1	
E-17	10010099	SM1/8"×44螺钉	Screw SM1/8"×44	2	
E-18	10052531	送料牙	Feed dog	1	
E-19	10010100	拾牙叉形曲柄	Crank	1	
E-20	10004628	SM11/64"×40螺钉	Screw SM11/64"×40	1	
E-21	10010095	SM3/16"×28螺钉	Screw SM3/16"×28	2	
E-22	10010086	拾牙后曲柄	Crank	1	
E-23	10052944	拾牙轴后套	Shaft sleeve	1	
E-24	10054363	橡胶堵塞	Rubber plug	2	
E-25	10004475	SM9/32"×28螺母	Nut SM9/32"×28	1	
E-26	10051856	SM9/32"×28螺钉	Screw SM9/32"×28	1	
E-27	10010084	拾牙连杆	Connecting rod	1	
E-28	10010089	18.5×1.2挡圈	Closing ring 18.5×1.2	1	
E-29	10010092	SM1/4"×40螺钉	Screw SM1/4"×40	2	
E-30	10010115	送料偏心轮	Feed drive eccentric cam	1	
E-31	10010072	送料连杆	Connecting rod	1	
E-32	10010098	送料偏心轮盖板	Thrust cover	1	
E-33	10010643	SM9/64"×40螺钉	Screw SM9/64"×40	2	
E-34	10010069	送料连杆销	Pin	1	
E-35	10010071	SM9/64"×40螺钉	Screw SM9/64"×40	1	
E-36	10010068	送料长摆动板	Long link	2	
E-37	10010075	送料短摆动板	Short link	2	
E-38	10010076	送料曲柄	Crank	1	
E-39	10010096	送料曲柄销	Pin	1	
E-40	10013015	SM11/64"×40螺钉	Screw SM11/64"×40	1	
E-41	10040989	拾牙轴后套	Shaft sleeve	1	
E-42	10010087	短摆动板连接销	Pin	2	
E-43	10050387	送料摆动板座组件	Feed adjusting ASM.	1	
E-44	10010197	SM9/64"×40螺钉	Screw SM9/64"×40	2	
E-45	10010678	SM15/64"×28螺钉	Screw SM15/64"×28	2	
E-46	10041003	倒缝轴后轴套	Shaft sleeve	1	
E-47	10040965	自动倒缝驱动轴	Automated reverse feed shaft	1	



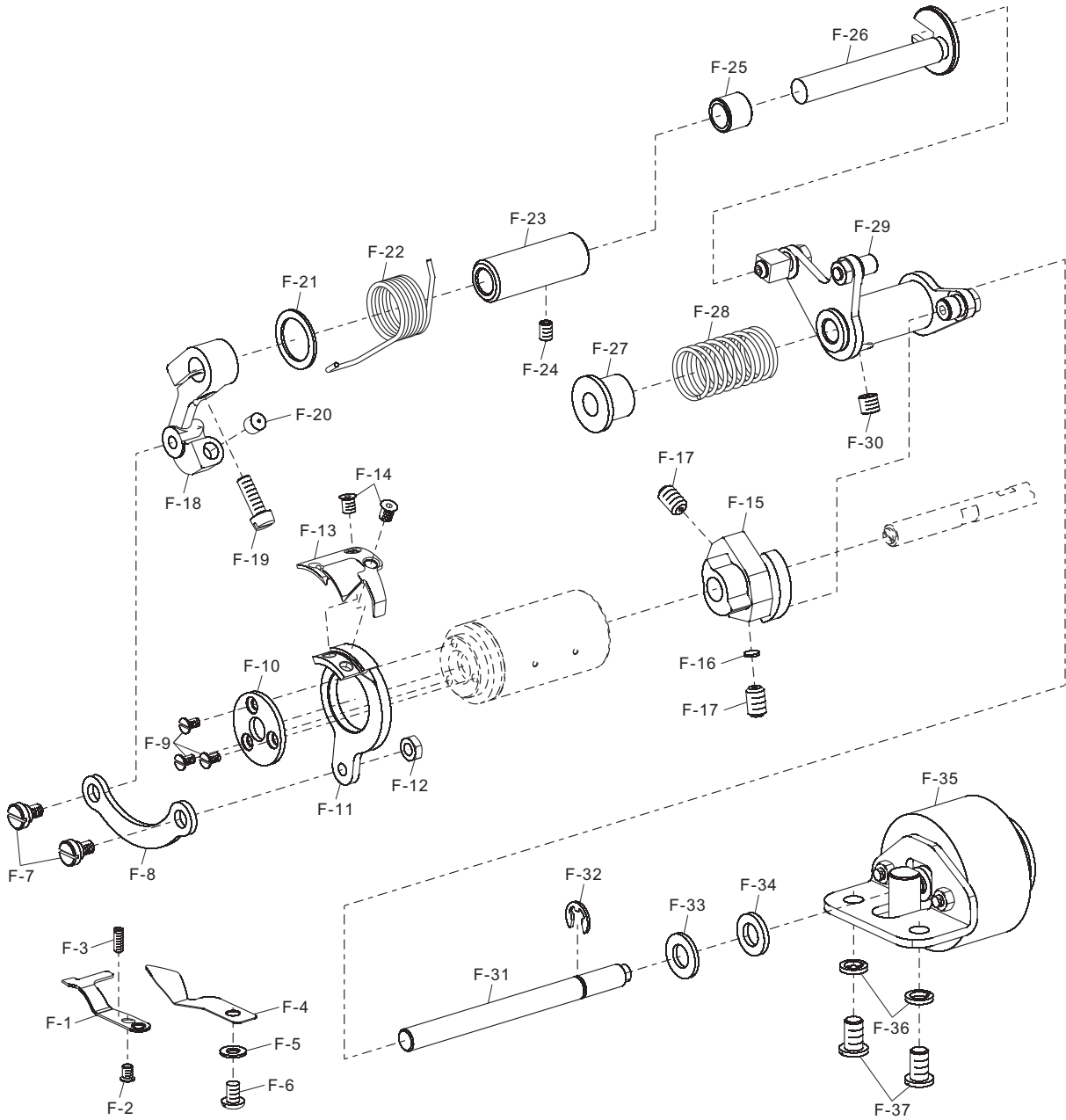
送料分组件
Feed Mechanism Components





送料分组件
Feed Mechanism Components

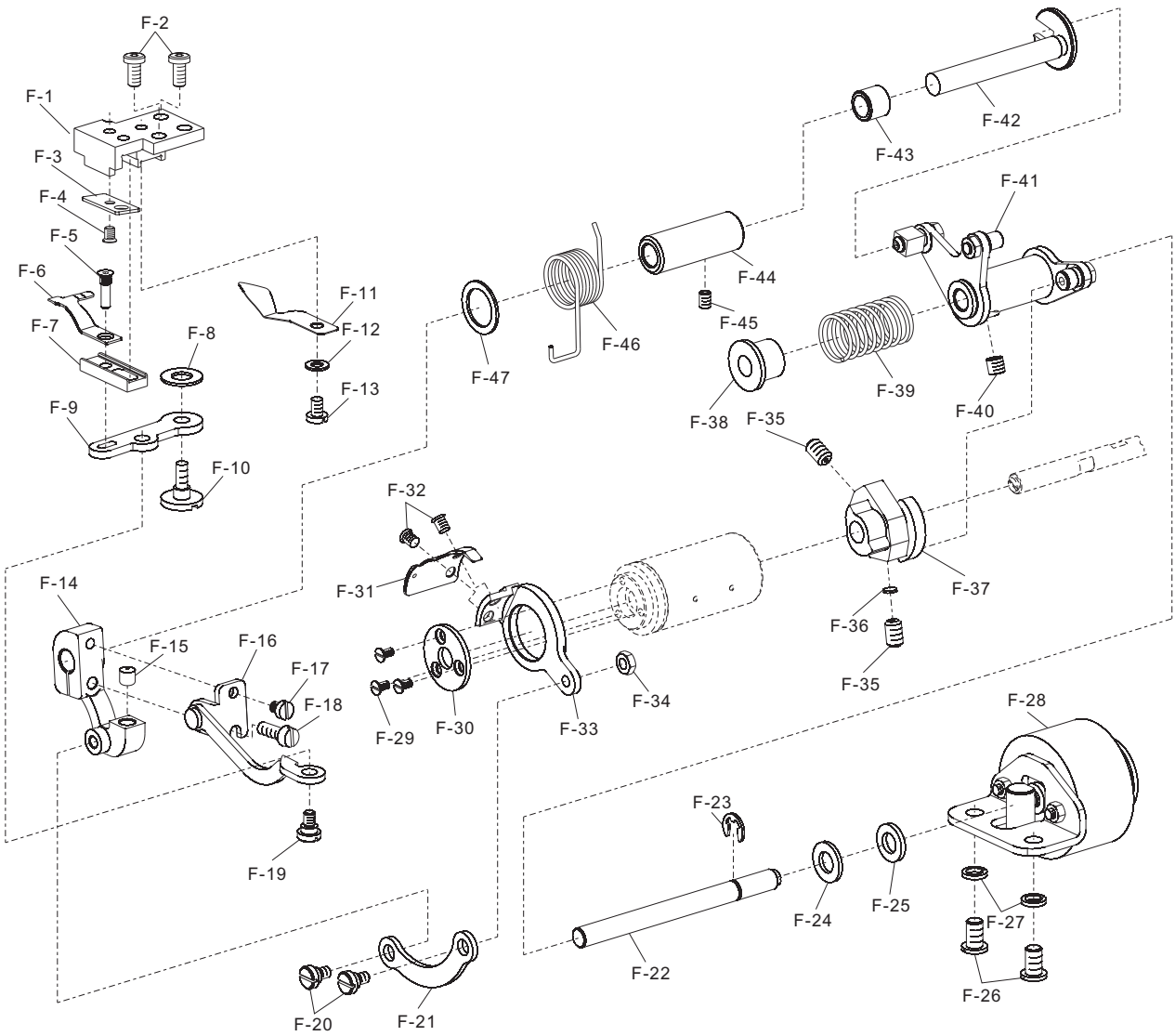
序号 Ref. No.	件号 Part No.	名称	Name of part	数量 QTY	备注 Remark
E-48	10009654	6×1挡圈	Closing ring 6×1	1	
E-49	10010932	8.2×14.2×1垫圈	Washer 8.2×14.2×1	1	
E-50	10013029	7.94×12×3.5油封	Oil seal 7.94×12×3.5	1	
E-51	10040966	倒缝轴前轴套	Shaft sleeve	1	
E-52	10040974	送料摆动座左右销	Pin	1	
E-53	10006281	10×1.8 O形圈	O-ring 10×1.8	1	
E-54	10040997	倒送料连杆拉簧	Spring	1	
E-55	10007800	3×5油管	Vitta 3×5	1	
E-56	10051074	拉簧连接螺钉	Screw	1	
E-57	10010370	SM11/64'×40螺母	Nut SM11/64'×40	1	
E-58	10026886	倒送料连杆销	Pin	1	
E-59	10051073	倒送料连杆	Feed adjust rod	1	
E-60	10010649	5.1×0.6挡圈	Closing ring 5.1×0.6	2	
E-61	10051742	SM9/64"×40螺钉	Screw SM9/64"×40	2	
E-62	10008848	送料调节器	Feed regulator	1	
E-63	10008956	送料调节器轴套	Shaft sleeve	1	
E-64	10010238	送料调节器轴端螺钉	Screw	1	
E-65	10008975	橡胶塞	Rubber plug	1	
E-66	10051621	旋钮复位簧	Spring	1	
E-67	10010240	9.2×2.7 O形圈	O-ring 9.2×2.7	1	
E-68	10036738	送料调节螺柱	Screw	1	
E-69	10013869	旋钮锁簧	Spring	1	
E-70	10051619	旋钮止动销	Pin	1	
E-71	10051578	旋钮止动盘组件	Arresting disc ASM.	1	
E-72	10051615	送料距旋钮	Feed dial	1	
E-73	10051845	SM3/16"×28螺钉	Screw SM3/16"×28	1	
E-74	10010237	倒送料拉簧	Spring	1	
E-75	10051180	拉簧固定板	Plate	1	
E-76	10050422	SM15/64"×28螺钉	Screw SM15/64"×28	2	
E-77	10010287	倒送料曲柄销	Pin	1	
E-78	10039853	倒送料曲柄	Reverse feed crank	1	
E-79	10009008	M6×16螺钉	Screw M6×16	1	
E-80	10014119	倒送料轴轴套	Shaft sleeve	1	
E-81	10008827	倒送料轴	Reverse feed shaft	1	
E-82	20008375	倒送料扳手	Reverse feed control lever	1	
E-83	10010243	7.8×2 O形圈	O-ring 7.8×2	1	
E-84	10040504	M6螺钉	Screw M6	2	
E-85	10050706	限位螺钉套	Rubber sleeve	1	
E-86	10050707	限位螺钉	Screw	1	



F

剪线分组件(-D4)
Thread Trimmer Components (-D4)

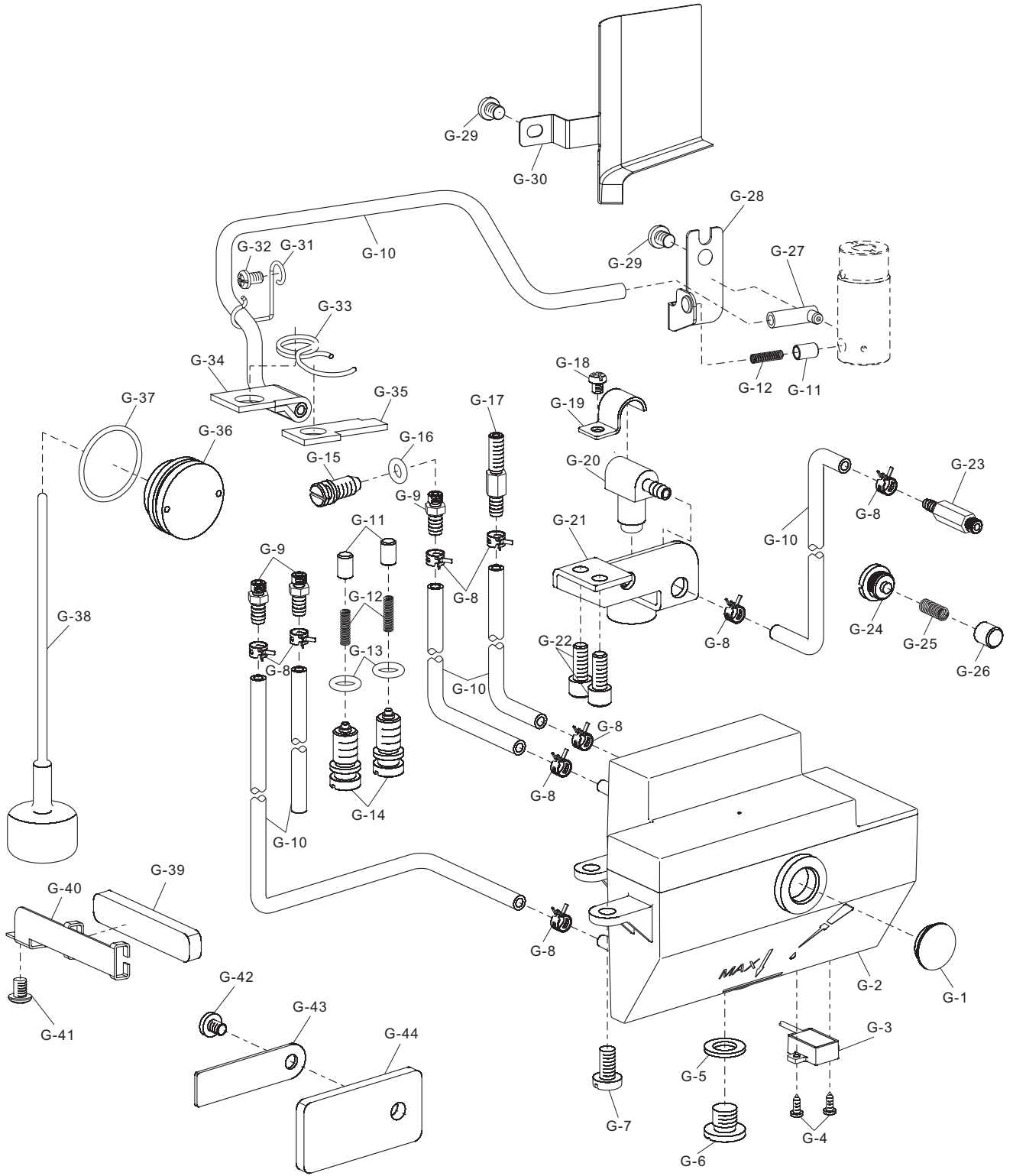
序号 Ref. No.	件号 Part No.	名称	Name of part	数量 QTY	备注 Remark
F-1	10011421	定刀	Fixed knife	1	
F-2	10011422	SM9/64"×40螺钉	Screw SM9/64"×40	1	
F-3	10024496	SM1/8"×40螺钉	Screw SM1/8"×40	1	
F-4	10011584	分线器	Dispart	1	
F-5	10013154	9×4.5×0.8垫圈	Washer 9×4.5×0.8	1	
F-6	10014474	SM11/64"×40螺钉	Screw SM11/64"×40	1	
F-7	10011514	SM11/64"×40螺钉	Screw SM11/64"×40	2	
F-8	10011577	刀轴连杆	Knife shaft crack rod	1	
F-9	10009626	M3×4.35螺钉	Screw M3×4.35	3	
F-10	10013026	刀架压板	Knife holder	1	
F-11	10050165	动刀架	Round knife bracket	1	
F-12	10011578	SM11/64"×40螺母	Nut SM11/64"×40	1	
F-13	10011494	动刀	Round knife	1	
F-14	10011588	SM11/64"×40螺钉	Screw SM11/64"×40	2	
F-15	10010736	剪线凸轮	Thread trimmer cam	1	
F-16	10023739	剪线凸轮垫	Cam collar	1	
F-17	10013465	SM1/4"×40螺钉	Screw SM1/4"×40	2	
F-18	10052403	切线驱动曲柄	Trimming crank	1	
F-19	10008863	SM3/16"×32螺钉	Screw SM3/16"×32	1	
F-20	10011580	曲柄止动块	Block	1	
F-21	10008865	15.3×21×1垫圈	Washer 15.3×21×1	1	
F-22	10011649	曲柄复位簧	Spring	1	
F-23	10051577	切线轴套	Shaft sleeve	1	
F-24	10012062	SM11/64"×40螺钉	Screw SM11/64"×40	1	
F-25	10011630	曲柄轴短套	Short bushing	1	
F-26	10008866	切刀驱动曲柄轴	Trimming crank shaft	1	
F-27	10014196	弹簧端盖	Spring cover	1	
F-28	10008812	弹簧	Spring	1	
F-29	10011686	切线凸轮曲柄组件	Trimming cam crank ASM.	1	
F-30	10008862	SM1/4"×40螺钉	Screw SM1/4"×40	1	
F-31	10054362	切刀驱动轴组件	Trimming shaft ASM.	1	
F-32	10009654	6×1挡圈	Closing ring 6×1	1	
F-33	10003031	8.4×16×1.6垫圈	Washer 8.4×16×1.6	1	
F-34	10011650	8.2×15×2垫圈	Washer 8.2×15×2	1	
F-35	10050154	剪线电磁铁组件	Thread trimmer solenoid ASM.	1	
F-36	10054384	5弹簧垫圈	Washer 5	2	
F-37	10011605	SM1/4"×28螺钉	Screw SM1/4"×28	2	



F

剪线分组件(-D4S)
Thread Trimmer Components (-D4S)

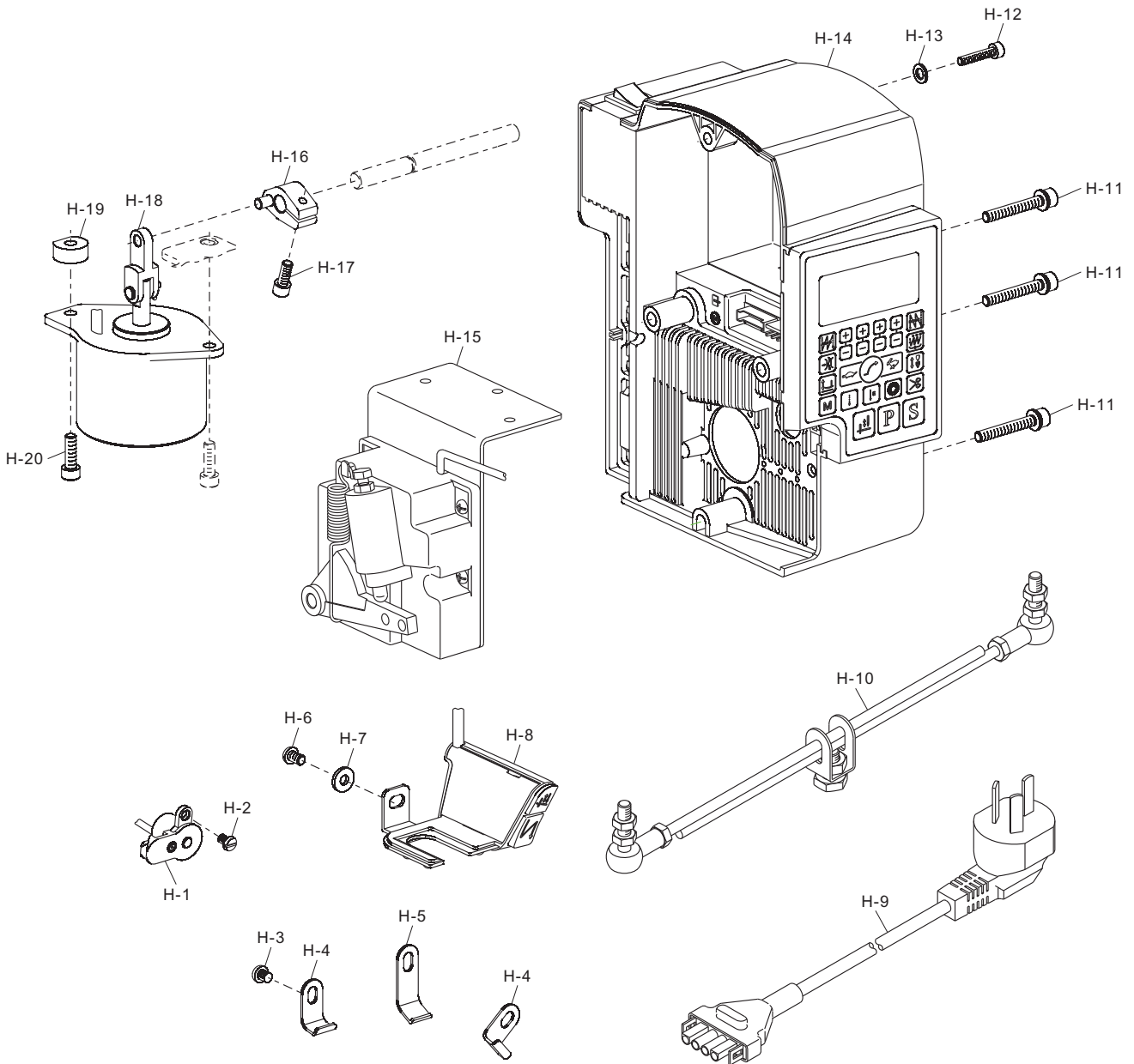
序号 Ref. No.	件号 Part No.	名称	Name of part	数量 QTY	备注 Remark
F-1	10052404	固定座	Retainer plate	1	
F-2	10053199	SM11/64"×40螺钉	Screw SM11/64"×40	2	
F-3	10053193	垫片	Washer	1	
F-4	10011422	SM9/64"×40螺钉	Screw SM9/64"×40	1	
F-5	10052407	螺钉	Screw	1	
F-6	10051912	定刀	Fixed knife	1	
F-7	10052405	滑块	Slider	1	
F-8	10053192	16×9×1垫片	Washer 16×9×1	1	
F-9	10052837	驱动板	Driver board	1	
F-10	10052406	SM11/64"×40螺钉	Screw SM11/64"×40	1	
F-11	10052836	分线器	Dispart	1	
F-12	10013154	9×4.5×0.8垫片	Washer 9×4.5×0.8	1	
F-13	10014474	SM11/64"×40螺钉	Screw SM11/64"×40	1	
F-14	10052403	切线驱动曲柄	Trimming crank	1	
F-15	10011580	曲柄止动块	Block	1	
F-16	10051917	拉板组件	Pull plate ASM.	1	
F-17	10002881	M4×8螺钉	Screw M4×8	1	
F-18	10048386	SM3/16"×32螺钉	Screw SM3/16"×32	1	
F-19	10052409	SM11/64"×40螺钉	Screw SM11/64"×40	1	
F-20	10011514	SM11/64"×40螺钉	Screw SM11/64"×40	2	
F-21	10011577	刀轴连杆	Knife shaft crack rod	1	
F-22	10054362	切刀驱动轴	Trimming shaft	1	
F-23	10009654	6×1挡圈	Closing ring 6×1	1	
F-24	10003031	8.4×16×1.6垫圈	Washer 8.4×16×1.6	1	
F-25	10011650	8.2×15×2垫圈	Washer 8.2×15×2	1	
F-26	10011605	SM1/4"×28螺钉	Screw SM1/4"×28	2	
F-27	10054384	弹簧垫圈	Washer	2	
F-28	10050154	剪线电磁铁组件	Thread trimmer solenoid ASM.	1	
F-29	10009626	M3×4.35螺钉	Screw M3×4.35	3	
F-30	10013026	刀架压板	Knife holder	1	
F-31	10052030	动刀	Round knife	1	
F-32	10011588	SM11/64"×40螺钉	Screw SM11/64"×40	2	
F-33	10050165	动刀架	Round knife bracket	1	
F-34	10011578	SM11/64"×40螺母	Nut SM11/64"×40	1	
F-35	10013465	SM1/4"×40螺钉	Screw SM1/4"×40	2	
F-36	10023739	剪线凸轮垫	Cam washer	1	
F-37	10010736	剪线凸轮	Thread trimmer cam	1	
F-38	10014196	弹簧端盖	Spring cover	1	
F-39	10008812	弹簧	Spring	1	
F-40	10008862	SM1/4"×40螺钉	Screw SM1/4"×40	1	
F-41	10011686	切线凸轮曲柄组件	Trimming cam crank ASM.	1	
F-42	10008866	切刀驱动曲柄轴	Trimming crank shaft	1	
F-43	10011630	曲柄轴短套	Short bushing	1	
F-44	10051577	切线轴套	Shaft sleeve	1	
F-45	10012062	SM11/64"×40螺钉	Screw SM11/64"×40	1	
F-46	10053110	曲柄复位簧	Spring	1	
F-47	10008865	8.2×15×2垫圈	Washer 8.2×15×2	1	



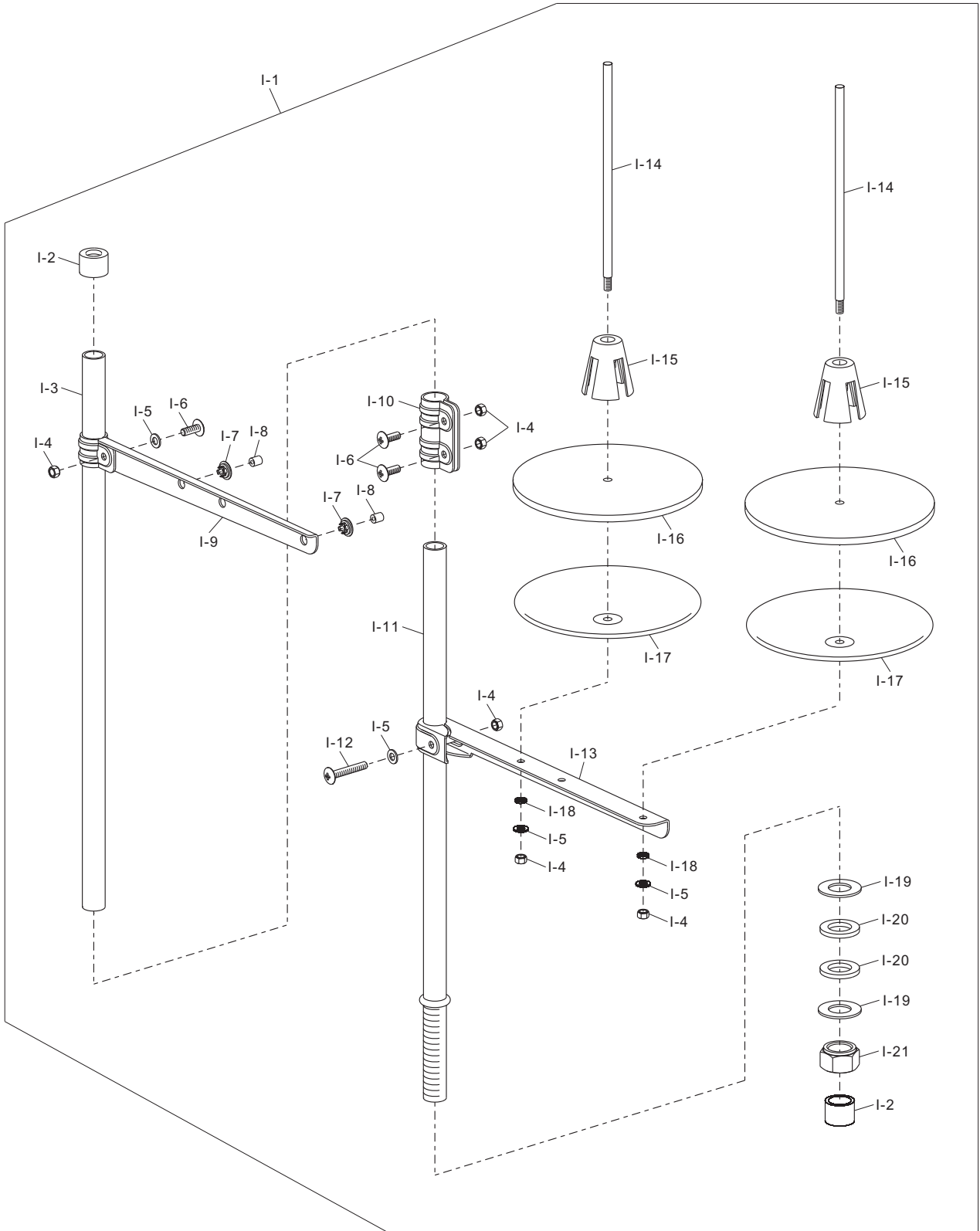


润滑分组件
Lubrication Components

序号 Ref. No.	件号 Part No.	名称	Name of part	数量 QTY	备注 Remark
G-1	10008977	橡胶塞	Rubber plug	1	
G-2	10050156	油盒	Oil box	1	
G-3	10051706	油量报警开关组件	Oil mass annunciator ASM.	1	
G-4	10053851	PA1.6×6螺钉	Screw PA1.6×6	2	
G-5	10010240	9.2×2.7O形圈	O-ring 9.2×2.7	1	
G-6	10008783	SM5/16"×24螺钉	Screw SM5/16"×24	1	
G-7	10008972	SM3/16"×28螺钉	Screw SM3/16"×28	3	
G-8	10012160	卡箍	Clamp	9	
G-9	10052811	油管接头	Oil connection	3	
G-10	10007800	3×5油管	Oil tube 3×5	6	
G-11	10052045	柱塞	Plunger	3	
G-12	10014386	柱塞簧	Spring	3	
G-13	10014461	6.5×2 O形圈	O-ring 6.5×2	2	
G-14	10013025	SM1/16"×24螺钉	Screw SM1/16"×24	2	
G-15	10052049	油量调节螺钉	Screw	1	
G-16	10012606	4.5×2 O形圈	O-ring 4.5×2	1	
G-17	10052050	油管接头	Oil connection	1	
G-18	10010797	SM9/64"×40螺钉	Screw SM9/64"×40	1	
G-19	10052015	供油管接头压板	Oil connection holder	1	
G-20	10000468	油管二接头	Oil connection	1	
G-21	10052013	供油管支架	Oil pipe bracket	1	
G-22	10014477	SM3/16"×28螺钉	Screw SM3/16"×28	2	
G-23	10052044	油管接头	Oil connection	1	
G-24	10051081	柱塞螺钉	Screw	1	
G-25	10051079	压簧	Spring	1	
G-26	10051080	柱塞	Plunger	1	
G-27	10052731	回油管接头	Oil connection	1	
G-28	10052732	柱塞压板	Plunger holder	1	
G-29	10000098	SM3/16"×28螺钉	Screw SM3/16"×28	2	
G-30	10052810	挡油罩	Oil drip pan	1	
G-31	10053704	油管扣	Tubing buckle	1	
G-32	10008934	SM3/16"×28螺钉	Screw SM3/16"×28	1	
G-33	10042077	毛毡夹	Oil felt presser	1	
G-34	10053465	毛毡	Wool felt	1	
G-35	10053466	毛毡	Wool felt	1	
G-36	10009118	指示窗组件	Indicator ASM.	1	
G-37	10008980	1.4×23 O型圈	O-ring 1.4×23	1	
G-38	10052048	油标组件	Oil pointer ASM.	1	
G-39	10051592	毛毡	Wool felt	1	
G-40	10051595	毛毡压板	Felt pressure plate	1	
G-41	10042077	SM11/64"×40螺钉	Screw SM11/64"×40	1	
G-42	10009556	M4×7螺钉	Screw M4×7	1	
G-43	10051594	毛毡压板	Felt pressure plate	1	
G-44	10051593	毛毡	Wool felt	1	



过线架分组件 Components Of Thread-running Stand

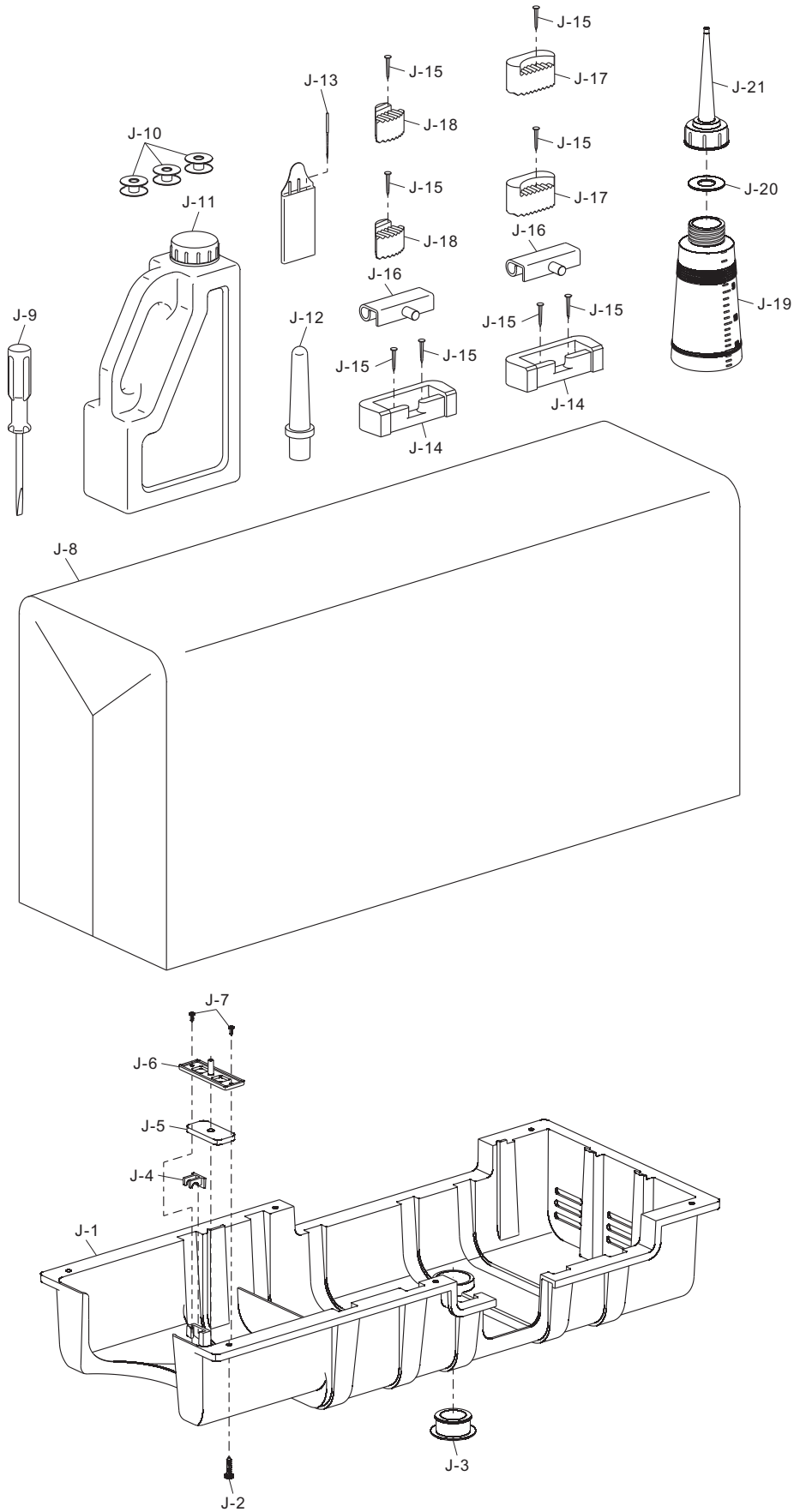


过线架分组件 Components Of Thread-running Stand

序号 Ref. No.	件号 Part No.	名称	Name of part	数量 QTY	备注 Remark
I-1	10007130	二线线架部件	Thread stand ASM.	1	
I-2	10004282	撑管套	Column cap	2	
I-3	10004293	线架上撑管	Column pipe(upper)	1	
I-4	10002953	M5螺母	Nut M5	6	
I-5	10003022	5平垫圈	Washer 5	4	
I-6	10003301	M5×14螺钉	Screw M5×14	3	
I-7	10004285	过线管套	Thread guide bushing	2	
I-8	10004289	过线管	Thread guide pipe	2	
I-9	10004298	上过线架	Thread hanger(upper)	1	
I-10	10004286	撑管夹	Column pipe connector	1	
I-11	10004291	线架下撑管	Column pipe(lower)	1	
I-12	10003312	M5×30螺钉	Screw M5×30	1	
I-13	10004284	下过线架	Thread hanger(lower)	1	
I-14	10004288	线轴	Spool pin	2	
I-15	10004287	线盘塑料压块	Spool cushion	2	
I-16	10004281	线盘软垫	Spool mat	2	
I-17	10004299	线盘	Spool seat disc	2	
I-18	10003077	5弹簧垫圈	Washer 5	2	
I-19	10004290	16×30×1.5垫圈	Washer 16×30×1.5	2	
I-20	10004295	16.5×27.5×3垫圈	Washer 16.5×27.5×3	2	
I-21	10002985	M16螺母	Nut M16	1	

J

附件 Auxiliaries



J

附件 Auxiliaries

序号 Ref. No.	件号 Part No.	名称	Name of part	数量 QTY	备注 Remark
J-1	10051332	油盘	Oil reservoir	1	
J-2	10008323	ST4.2×20螺钉	Screw ST4.2×20	6	
J-3	10051463	橡胶塞	Rubber plug	1	
J-4	10051652	回油管固定夹	Holder	1	
J-5	10051707	油盘回油毡	Scavenging felt	1	
J-6	10051651	回油毡压板	Scavenging felt holder	1	
J-7	10003185	ST2.2×6.5螺钉	Screw ST2.2×6.5	2	
J-8	*	机头罩	Head cover	1	
J-9	10010995	中螺丝刀	Screw driver	1	
J-10	10025484	梭芯	Bobbin	3	
J-11	10004455	油箱	Oil box	1	
J-12	10050425	机头支柱	Head pole	1	
J-13	10034917	DB×1 14#机针	Needle DB×1 14#	3	
J-14	10011041	机头连接钩座	Head connecting hook socket	2	
J-15	10003889	油盘座钉	Nail	8	
J-16	10004466	机头连接钩部件	Head connecting hook	2	
J-17	10051245	油盘座垫	Oil reservoir cushion	2	
J-18	10051246	油盘支座	Oil reservoir seat	2	
J-19	10013294	小油壶	Oil bottle	1	
J-20	10013315	13.5×28×1垫圈	Washer 13.5×28×1	1	
J-21	10006373	小油壶帽	Oil bottle cap	1	



浙江中捷缝纫科技有限公司
ZOJE SEWING MACHINE CO., LTD.

地址：浙江省玉环县大麦屿开发区
Add: damaiyu Development Zone, Yuhuanxian, Zhejiang 317604, China

国内营销中心：Domestic Business Center
Tel: 0576-87338345 87338215 Fax: 0576-87338222

国际营销中心：International Business Center
Tel: +86-576-87333222 87338299 Fax: +86-576-87332702
www.zoje.com E-mail: sales@zoje.com