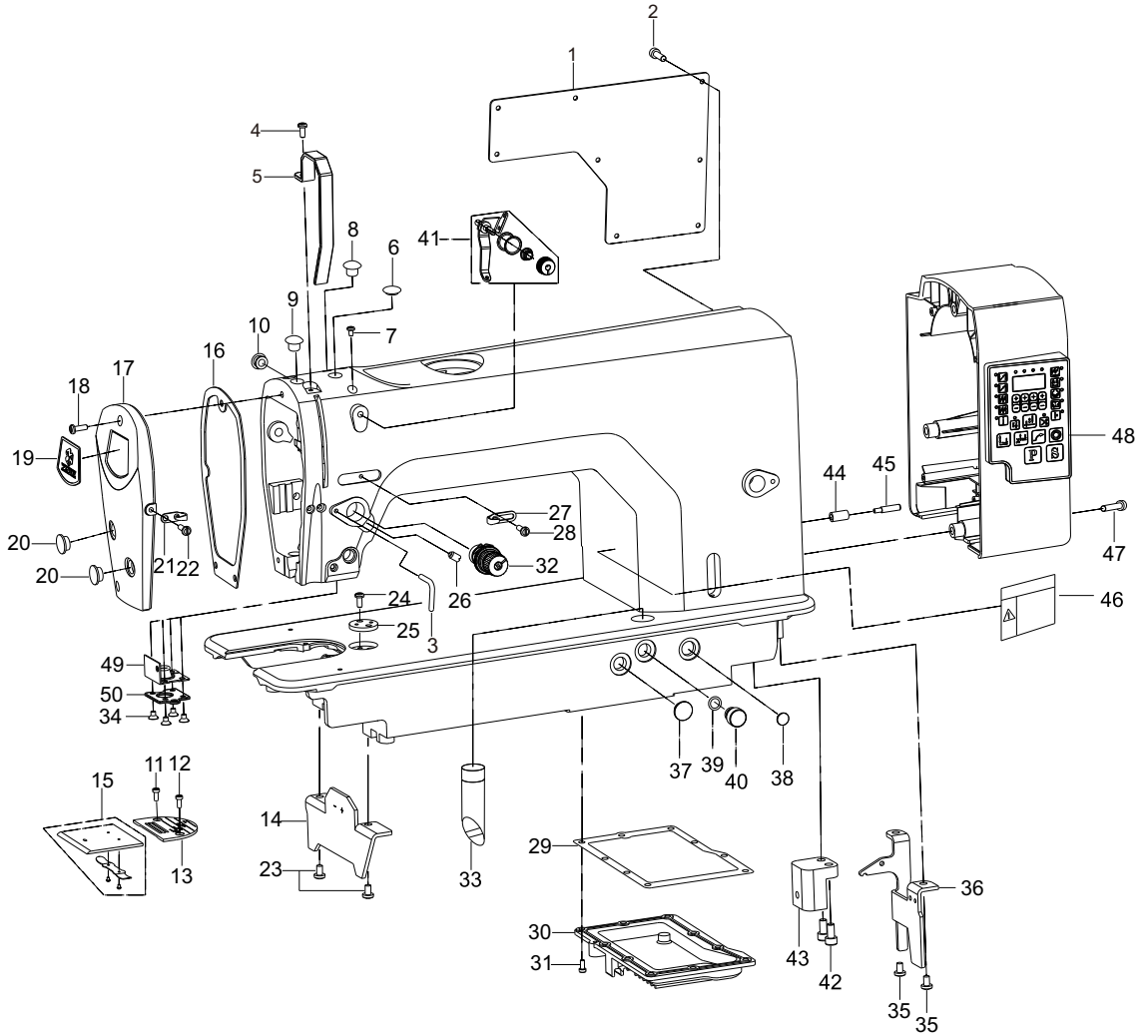


1、机体部件

MACHINE FRAME & MISCELLANEOUS COVER COMPONENTS

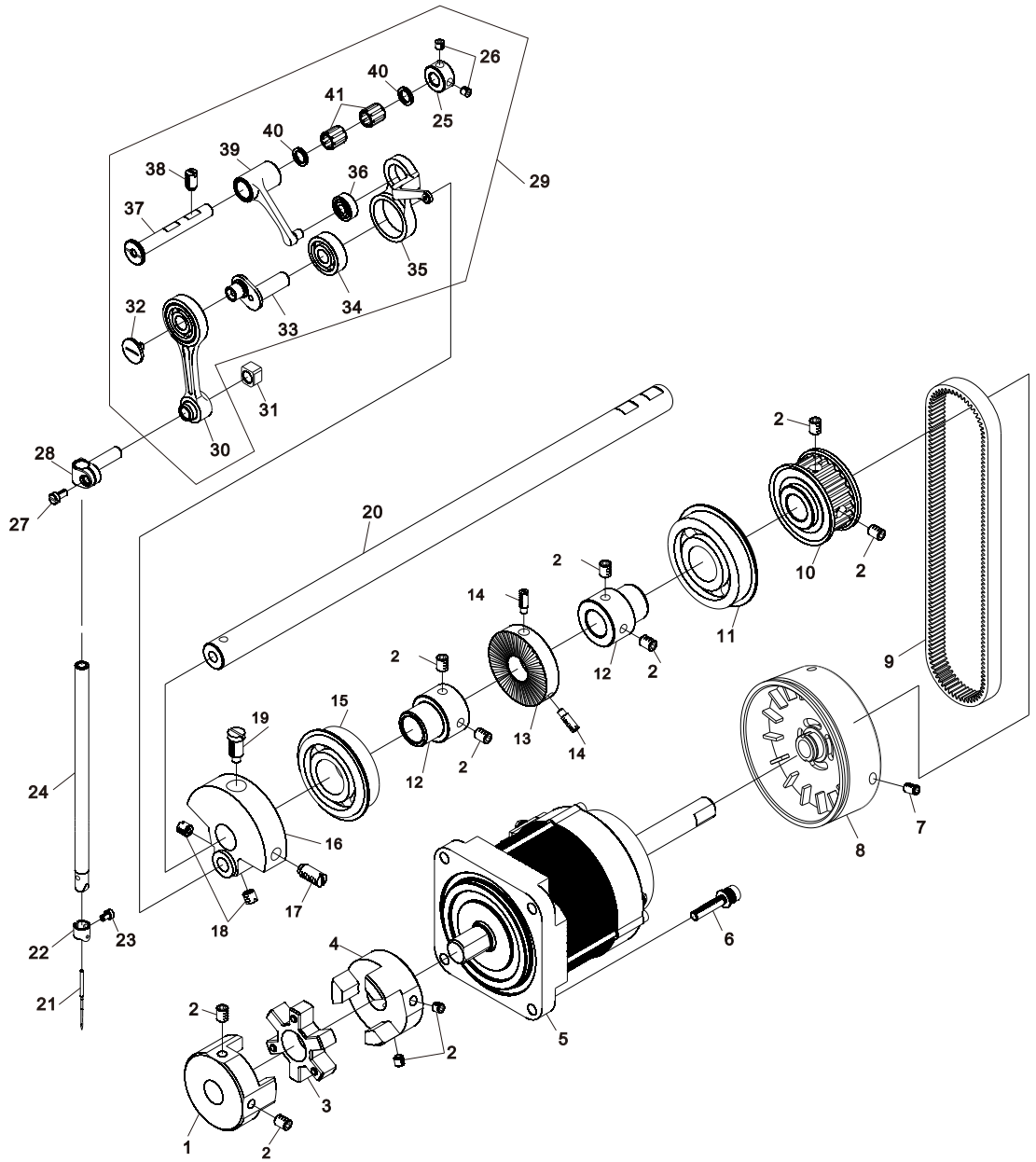


1、机体部件

MACHINE FRAME & MISCELLANEOUS COVER COMPONENTS

序号 Ref. No.	件号 PartNo.	名 称	Name of the part	数量 Qty.
1	20003404	后盖板	Side Plate	1
2	10008972	螺钉 SM3/16"×28 L=10	Screw	7
3	10022343	缓线钩	Arm Thread Guide	1
4	10008972	螺钉 SM3/16"×28 L=10	Screw	1
5	20003407	挑线杆防护罩	Thread Take-up Lever Cover	1
6	10012147	橡胶塞	Rubber Plug	1
7	10013541	螺钉 SM11/64"×40 L=12	Screw	1
8	10008943	橡胶塞	Rubber Plug	2
9	10012460	橡胶塞	Rubber Plug	2
10	10012128	橡胶塞	Rubber Plug	1
11	10009005	螺钉 SM11/64"×40 L=6.8	Screw	1
12	10012463	螺钉 SM11/64"×40 L=6.8	Screw	1
13	10022847	针板	Needle Plate	1
14	10012135	前支撑板	Front Plate	1
15	10013706	推板部件	Slide Plate ASM	1
16	10022846	面板垫	Face Plate Packing	1
17	20006907	面板	Pace Plate	1
18	10008972	螺钉 SM3/16"×28 L=10	Screw	3
19	10005468	面板装饰牌	Face plate Adorning	1
20	10008977	橡胶塞	Rubber Plug	2
21	10008937	左线钩	Arm Thread Guide B	1
22	10008973	螺钉 SM11/64"×40 L=6	Screw	1
23	10012142	螺钉 SM15/64"×28 L=9	Screw	2
24	10004374	螺钉 SM11/64"×40 L=4.8	Screw	2
25	10004373	限位挡片	Ruler Stop Seat	1
26	10010593	螺钉 SM15/64"×28 L=7.5	Screw	1
27	10008940	右线钩	Arm Thread Guide A	1
28	10008973	螺钉 SM11/64"×40 L=6	Screw	1
29	10012143	箱盖密封垫	Gear Box Packing	1
30	10012145	齿轮箱盖	Gear Box Cover	1
31	10012146	螺钉 SM3/16"×28 L=15	Screw	10
32	10013000	夹线器组件	Thread Tenston Asm	1
33	10012138	齿轮箱油标	Gear Box Floater	1
34	10011049	螺钉 M4×8	Screw	4
35	10012142	螺钉 SM15/64"×28 L=9	Screw	2
36	10012148	后支撑板	Back Plate	1
37	10012128	橡胶塞	Rubber Plug	1
38	10012136	橡胶塞	Rubber Plug	1
39	10012139	O型圈	Rubber Ring	1
40	10012141	排气阀	Air-discharging	1
41	10012867	上夹线器部件	Thread Tension Guide	1
42	10011313	螺钉 M6×12	Screw	2
43	10022344	倒缝电磁铁支座	Revers Feed Solenoid Base	1
44	10013621	倒缝板手螺柱套	Revers Feed Lever Stopper	1
45	10012149	螺钉	Screw	1
46	10008936	机头安全提示牌	Safety Label	1
47	10006157	螺钉组件	Screw	4
48	10038018	一体式电控(沪龙)	Controll Box	1
49	10022342	机头下防油板橡胶垫	Rulley Cover	1
50	10022848	机头下防油板	Rlate	1

2、上轴、挑线分部件 Main Shaft & Thread Take-up Cover Components



2、上轴、挑线分部件

Main Shaft & Thread Take-up Cover Components

序号 Ref. No.	件号 PartNo.	名 称	Name of the part	数量 Qty.
1	10012613	上轴联轴器	Coupling	1
2	10009187	螺钉	Screw	10
3	10011227	传动连接橡胶块	Rubber ring	1
4	10012615	电机联轴器	Coupling	1
5	10038017	电机	Motor	1
6	10006157	螺钉组件	Screw ASM.	4
7	10002436	螺钉	Screw	2
8	20010974	上轮组件	Head wheel ASM.	1
9	10012497	齿形带	Cog belt	1
10	10006241	上轴同步齿形带轮	Belt pulley	1
11	10025862	上轴后轴承	Bearing	1
12	10012668	轴承套	Bearing bush	2
13	10013112	绕线驱动轮	Driving wheel	1
14	10011062	螺钉	Screw	2
15	10025881	上轴前轴承	Bearing	1
16	10012607	针杆曲柄	Crank	1
17	10010082	螺钉	Screw	1
18	10005020	螺钉	Screw	2
19	10010545	螺钉	Screw	1
20	10012663	上轴	Main shaft	1
21	10036288	DP×5 14#机针	Needle DB×1 14#	1
22	10013181	针杆线钩	Thread guide	1
23	10013182	螺钉	Screw	1
24	10022347	针杆组件	Needle bar ASM.	1
25	10005745	挡圈	Closing ring	1
26	10013590	螺钉	Screw	2
27	10030286	螺钉	Screw	1
28	10010590	针杆连接柱	Joint pin	1
29	10022346	挑线杆组件	Thread take-up lever Asm.	1
30	10005785	针杆连杆组件	Connecting rod ASM.	1
31	10010586	针杆连接柱滑块	Sliding block	1
32	10010537	螺钉	Screw	1
33	10023444	挑线曲柄	Crank	1
34	10003607	轴承	Bearing	1
35	10005791	挑线杆	Thread take-up lever	1
36	10009784	轴承	Bearing	1
37	10005794	挑线连杆销	Pin	1

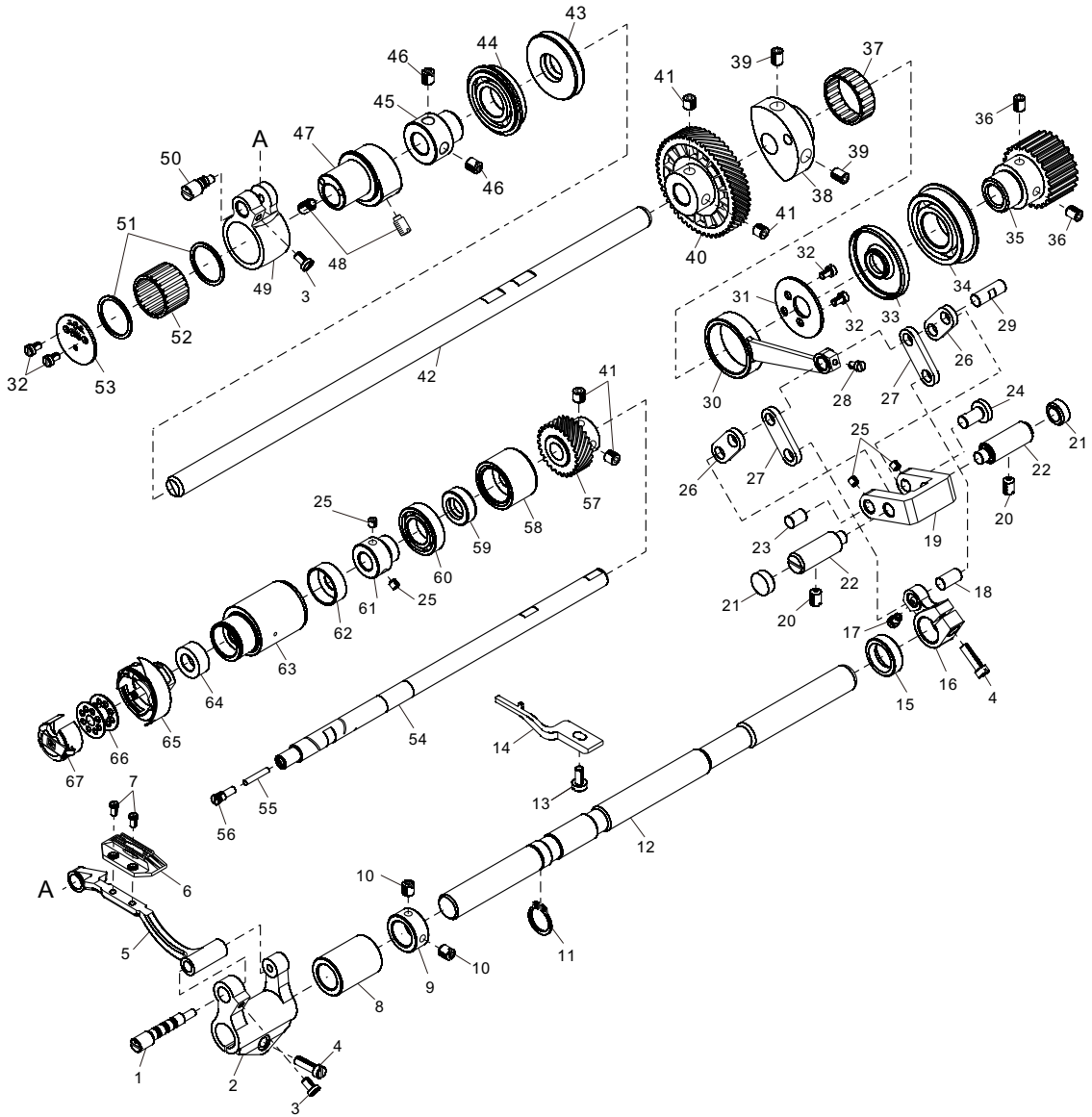
2、上轴、挑线分部件

Main Shaft & Thread Take-up Cover Components

序号 Ref. No.	件号 PartNo.	名 称	Name of the part	数量 Qty.
38	10010083	螺钉	Screw	1
39	10005788	挑线连杆	Connecting rod	1
40	10005786	垫圈	Washer	2
41	10005747	轴承	Bearing	2

3、下轴送料部件

Horizontal Feed & Vertical Feed And Hook Driving Shaft Components



3、下轴送料部件

Horizontal Feed & Vertical Feed And Hook Driving Shaft Components

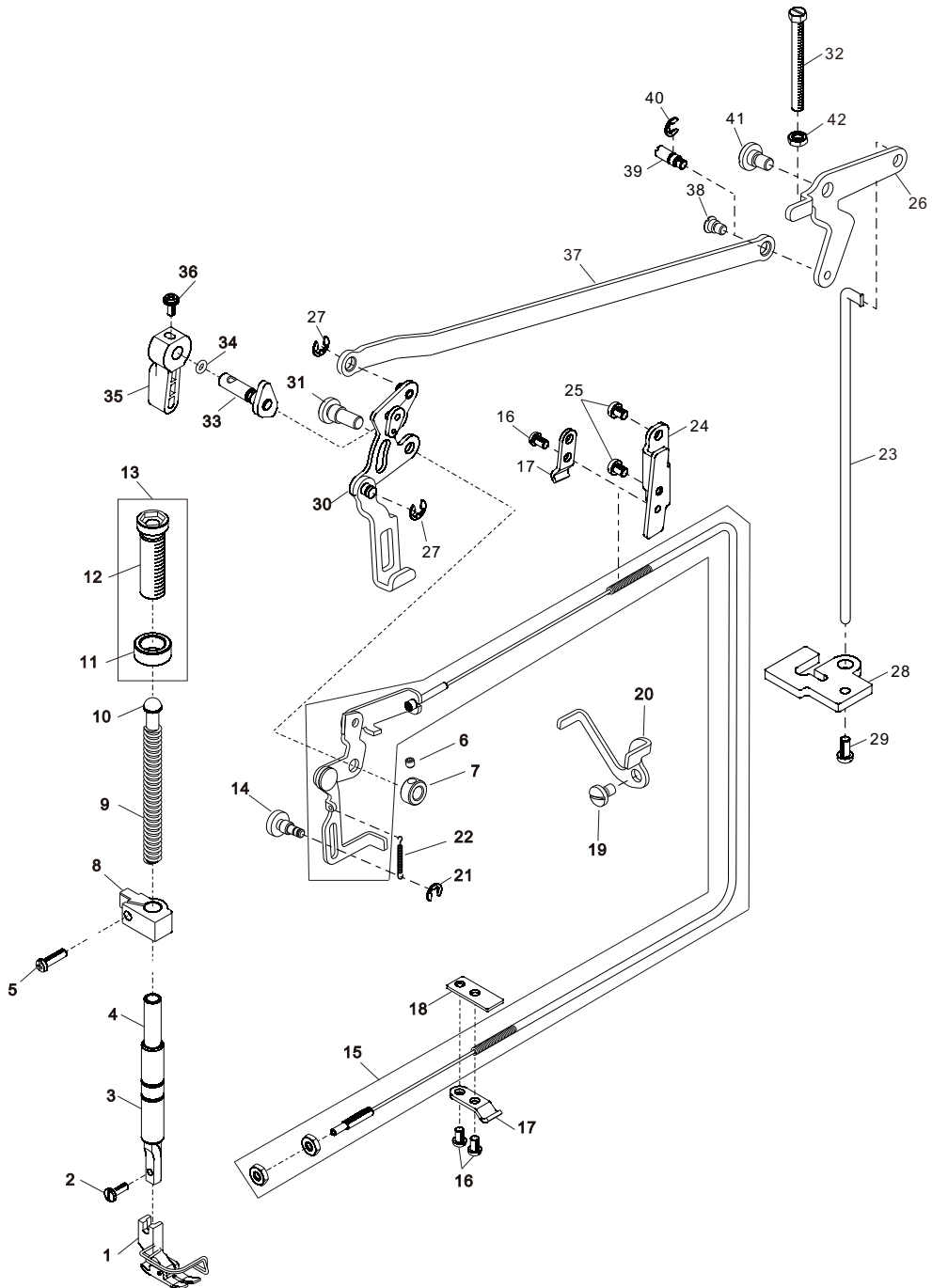
序号 Ref. No.	件号 PartNo.	名 称	Name of the part	数量 Qty.
1	10012490	牙架座偏心销	Pin	1
2	10012540	牙架座	Feed bar driving crank	1
3	10010074	螺钉	Screw	2
4	10010095	螺钉	Screw	2
5	10012531	牙架组件	Feed bar ASM.	1
6	10022849	送料牙	Feed dog	1
7	10010099	螺钉	Screw	2
8	10013006	送料轴轴套	Shaft sleeve	1
9	10006134	挡圈	Closing ring	1
10	10012162	螺钉	Screw	2
11	10003290	挡圈	Closing ring	1
12	10032116	送料轴	Feed rocker shaft	1
13	10010066	螺钉	Screw	1
14	10031259	旋梭定位钩	Positioning finger	1
15	10012536	送料轴油封	Oil seal	1
16	10012492	送料后曲柄	Crank	1
17	10013015	螺钉	Screw	1
18	10010096	送料后曲柄销	Pin	1
19	10005746	送料摆动座	Feed adjusting	1
20	10010506	螺钉	Screw	2
21	10012495	橡胶塞	Rubber plug	2
22	10012532	送料摆动座销	Pin	2
23	10010087	销	Pin	1
24	10012459	销	Pin	1
25	10013590	螺钉	Screw	5
26	10010075	送料短摆动板	Connecting plate	2
27	10012537	送料长摆动板	Connecting plate	2
28	10010071	螺钉	Screw	1
29	10010069	送料连杆销	Pin	1
30	10005787	送料摆动连杆	Connecting rod	1
31	10005742	送料偏心轮挡片	Cover plate	1
32	10010643	螺钉	Screw	4
33	10012538	拾牙轴后油封	Oil seal	1
34	10025882	拾牙轴后轴承	Bearing	1
35	10012535	拾牙轴同步齿形带轮	Gear	1
36	10009187	螺钉	Screw	2

3、下轴送料部件

Horizontal Feed & Vertical Feed And Hook Driving Shaft Components

序号 Ref. No.	件号 PartNo.	名 称	Name of the part	数量 Qty.
37	10005792	送料偏心轮滚针轴承	Bearing	1
38	10005740	送料偏心轮	Feed drive eccentric cam	1
39	10010678	螺钉	Screw	2
40	10012462	拾牙轴斜齿轮	Gear	1
41	10008862	螺钉	Screw	2
42	10012489	拾牙轴	Feed driving shaft	1
43	10012533	拾牙轴前油封	Oil seal	1
44	10026364	拾牙轴前轴承	Bearing	1
45	10012501	拾牙轴前轴承套	Bearing bush	1
46	10010065	螺钉	Screw	2
47	10005750	拾牙凸轮	Cam	1
48	10010083	螺钉	Screw	2
49	10005789	拾牙曲柄	Crank	1
50	10012498	拾牙曲柄偏心销	Pin	1
51	10005790	拾牙凸轮滚针轴承挡圈	Closing ring	2
52	10005744	拾牙凸轮滚针轴承	Bearing	1
53	10012503	拾牙凸轮挡板	Cover plate	1
54	10012534	下轴	Hook driving shaft	1
55	10010063	油芯	Oil wick	1
56	10010064	螺钉	Screw	1
57	10012554	下轴斜齿轮	Gear	1
58	10012678	下轴后轴套	Shaft sleeve	1
59	10012423	下轴后轴套油封	Oil seal	1
60	10026221	下轴轴承	Bearing	1
61	10012585	下轴轴承轴套	Bearing bush	1
62	10014503	下轴前轴套后油封	Oil seal	1
63	10014463	下轴前轴套	Shaft sleeve	1
64	10013029	下轴前轴套前油封	Oil seal	1
65	10013965	旋梭	Hook	1
66	10025484	梭芯	Bobbin	1
67	10006924	梭壳	Bobbin case	1

4、抬压脚部件 HANG LIFTER & TENSION RELEASE COMPONENTS



4、抬压脚部件

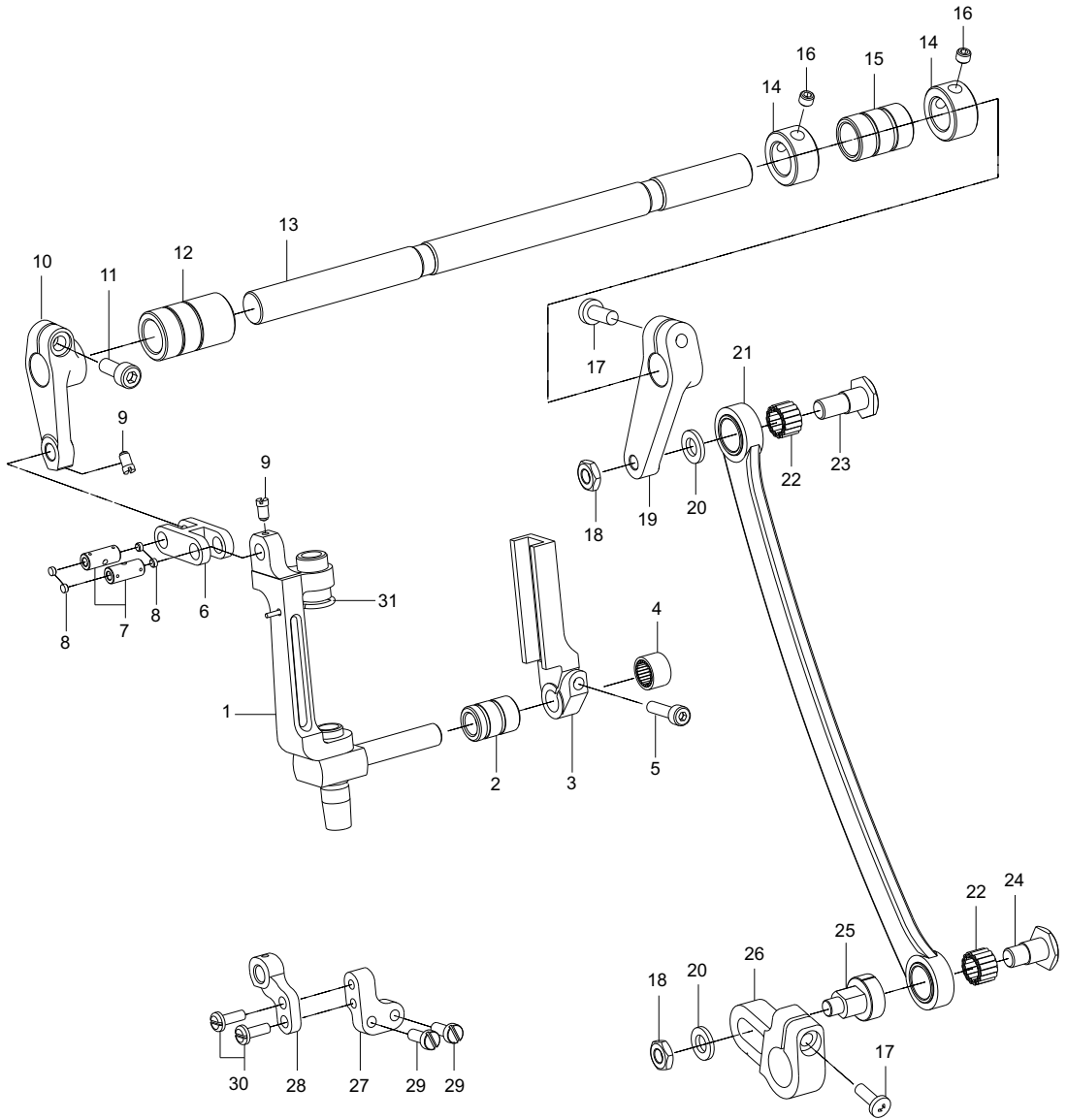
HANG LIFTER & TENSION RELEASE COMPONENTS

序号 Ref. No.	件号 PartNo.	名 称	Name of the part	数量 Qty.
1	10006112	活压脚部件	Presser foot ASM.	1
2	10010650	螺钉	Screw	1
3	10014141	压杆轴套	Bearing support	1
4	10013328	压杆	Presser bar	1
5	10013567	螺钉SM11/64"×40 L=15.8	Screw	1
6	10011887	螺钉 SM9/64"×40 L=4	Screw	2
7	10013375	挡圈	Collar	1
8	10022349	压杆导架	Presser guide bar bracket	1
9	10004473	调压弹簧	Spring	1
10	10012426	调压导杆	Presser guide bar	1
11	10011023	调压螺母	Nut	1
12	10013325	调压螺钉	Screw	1
13	10021342	调压螺钉组件	Screw ASM.	1
14	10022351	销	Pin	1
15	10022855	松线钢丝部件	Loosing line ASM.	1
16	10012130	螺钉	Screw	3
17	10012445	软管压板	Wire holder	2
18	10033588	垫片	Base plate	1
19	10012181	螺钉	Screw	1
20	10022854	松线顶板	Tension Release Return	1
21	10003248	挡圈	Closing ring	1
22	10022508	弹簧	Spring	1
23	10030397	抬压脚顶杆	Connecting rod vertical	1
24	10005881	抬压脚拉线固定架	Fixing shutter	1
25	10012621	螺钉	Screw	2
26	10022853	抬压脚后杠杆	Lifting lever link	1
27	10010649	挡圈	Closing ring	2
28	10012429	抬压脚顶杆导板	Guide plate	1
29	10012637	螺钉	Screw	1
30	10005685	前杠杆组件	Hand lifter link ASM.	1
31	10022350	销	Pin	1
32	10012633	压脚上升调节螺钉	Screw	1
33	10013809	压脚扳手凸轮组件	Hand lifter CAM ASM.	1
34	10010027	O形圈	O-ring	1
35	10011064	压脚扳手	Hand lifter	1
36	10010016	螺钉	Screw	1
37	10022852	抬压脚拉杆	Lifting lever connecting rod	1

4、抬压脚部件
HANG LIFTER & TENSION RELEASE COMPONENTS

序号 Ref. No.	件号 PartNo.	名 称	Name of the part	数量 Qty.
38	10005882	螺钉	Screw	1
39	10013109	螺钉	Screw	1
40	10013038	挡圈	Closing ring	1
41	10012430	螺钉	Screw	1
42	10012625	螺母	Nut	1

5、针杆摆动部件 THE NEEDLE BAR SWING COPONENTS

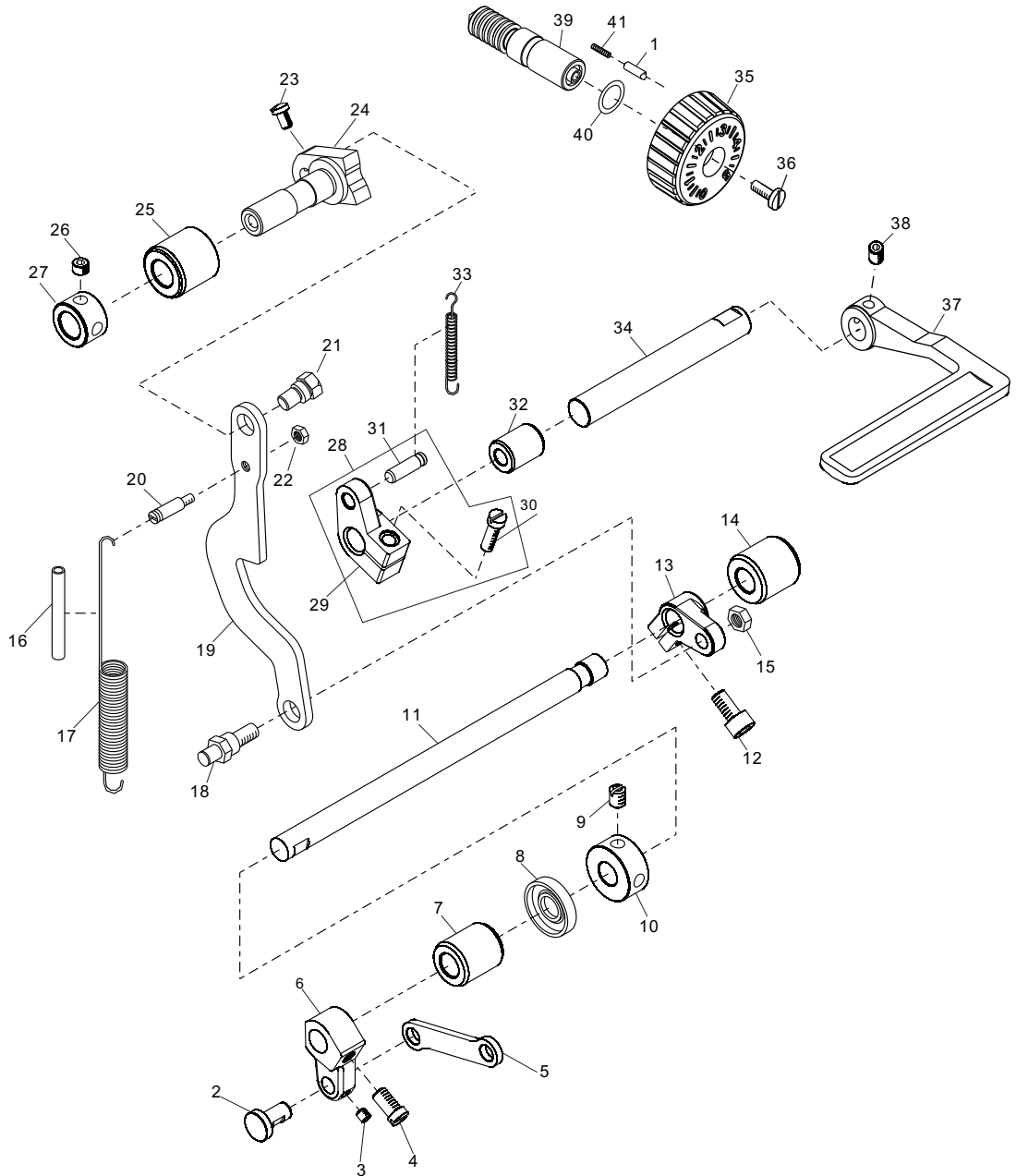


5、针杆摆动部件

THE NEEDLE BAR SWING COPONENTS

序号 Ref. No.	件号 PartNo.	名 称	Name of the part	数量 Qty.
1	10022509	针杆支架组件	ROCKING BASE COMPL	1
2	10022340	轴套	BUSHING	1
3	10023449	针杆滑块导轨	SLIDE BLOCK GUIDE	1
4	10003549	BK0808轴承	BEARING	1
5	10014395	螺钉M4×14	SCREW	1
6	10023454	针杆摆动小连杆	DRIVING LINK	1
7	10022856	销	LINK PIN	2
8	10022363	小连杆销堵塞	PLUG	4
9	10022354	螺钉SM9/64"×40 L=6	SCREW	2
10	10022355	摆动轴前曲柄	DRIVING CRANK FRONT	1
11	10004611	螺钉SM3/16"×28 L=12	SCREW	1
12	10022338	轴套	BUSHING	1
13	10022356	针杆支架摆动轴	NEEDLE FEED SHAFT	1
14	10011284	挡圈	COLLAR	2
15	10022339	轴套	BUSHING	1
16	10012014	螺钉 M5×4	SCREW	2
17	10010030	螺钉 SM3/16"×28 L=12	SCREW	2
18	10012855	螺母 M6×3.5	NUT	2
19	10022357	摆动轴后曲柄	NEEDLE FEED ROD CPMP	1
20	10022359	垫圈	WASHER	2
21	10022353	大连杆分组件	NEEDLE FEED ROD CPMP	1
22	10014106	轴承 K8×12×7.8	BEARING	1
23	10022358	螺钉	SCREW	1
24	10022858	螺钉	SCREW	1
25	10022857	连接螺钉	SCREW	1
26	10022360	针杆支架摆动调节曲柄	NEEDLE FEED ARM	1
27	10022362	针杆支架固定基座	GUIDE	1
28	10022361	针杆支架固定座	GUIDE	1
29	10011794	螺钉 M4×10	SCREW	2
30	10012507	螺钉 M3.5×10	SCREW	2
31	10008105	油线	WICK	1

6、倒缝部件 Feed Adjust Mechanism Components



6、倒缝部件 Feed Adjust Mechanism Components

序号 Ref. No.	件号 PartNo.	名 称	Name of the part	数量 Qty.
1	10013870	旋钮锁销	Pin	1
2	10012459	连接销	Connecting pin	1
3	10013590	螺钉	Screw	1
4	10010092	螺钉	Screw	1
5	10012634	摆动座摆动连板	Connecting plate	1
6	10012681	摆动座前曲柄	Crank	1
7	10012629	针距调节轴前套	Shaft sleeve	1
8	10012622	针距调节轴油封	Oil seal	1
9	10003921	螺钉	Screw	2
10	10012627	挡圈	Closing ring	1
11	10013867	针距调节轴	Adjusting shaft	1
12	10010095	螺钉 SM3/16"×28 L=15.5	Screw	1
13	10012424	摆动座后曲柄	Crank	1
14	10012586	针距调节轴后套	Shaft sleeve	1
15	10012620	螺母	Nut	1
16	10007795	油管	Oil pipe	1
17	10031476	倒送料调节簧	Spring	1
18	10012418	连接销	Connecting pin	1
19	10040562	针距调节连接板	Connecting plate	1
20	10012635	弹簧挂销	Pin	1
21	10013866	针距调节偏心销	Pin	1
22	10010106	螺母	Nut	1
23	10010643	螺钉 SM9/64"×40 L=6	Screw	2
24	10012583	针距调节座	Adjustor	1
25	10012626	针距调节座轴套	Shaft sleeve	1
26	10008862	螺钉 SM1/4"×40 L=5.8	Screw	2
27	10012428	挡圈	Closing ring	1
28	20000150	倒缝扳手曲柄组件	Crank ASM.	1
29	10012638	倒送料曲柄	Crank	1
30	10010095	螺钉	Screw	1
31	10010287	弹簧挂销	Pin	1
32	10012578	倒送料扳手轴轴套	Shaft sleeve	1
33	10012676	倒送料曲柄簧	Spring	1
34	10012419	倒送料轴	Reverse feed shaft	1
35	10014418	针距调节旋钮	Knob	1
36	10010281	螺钉 SM3/16"×28 L=18	Screw	1

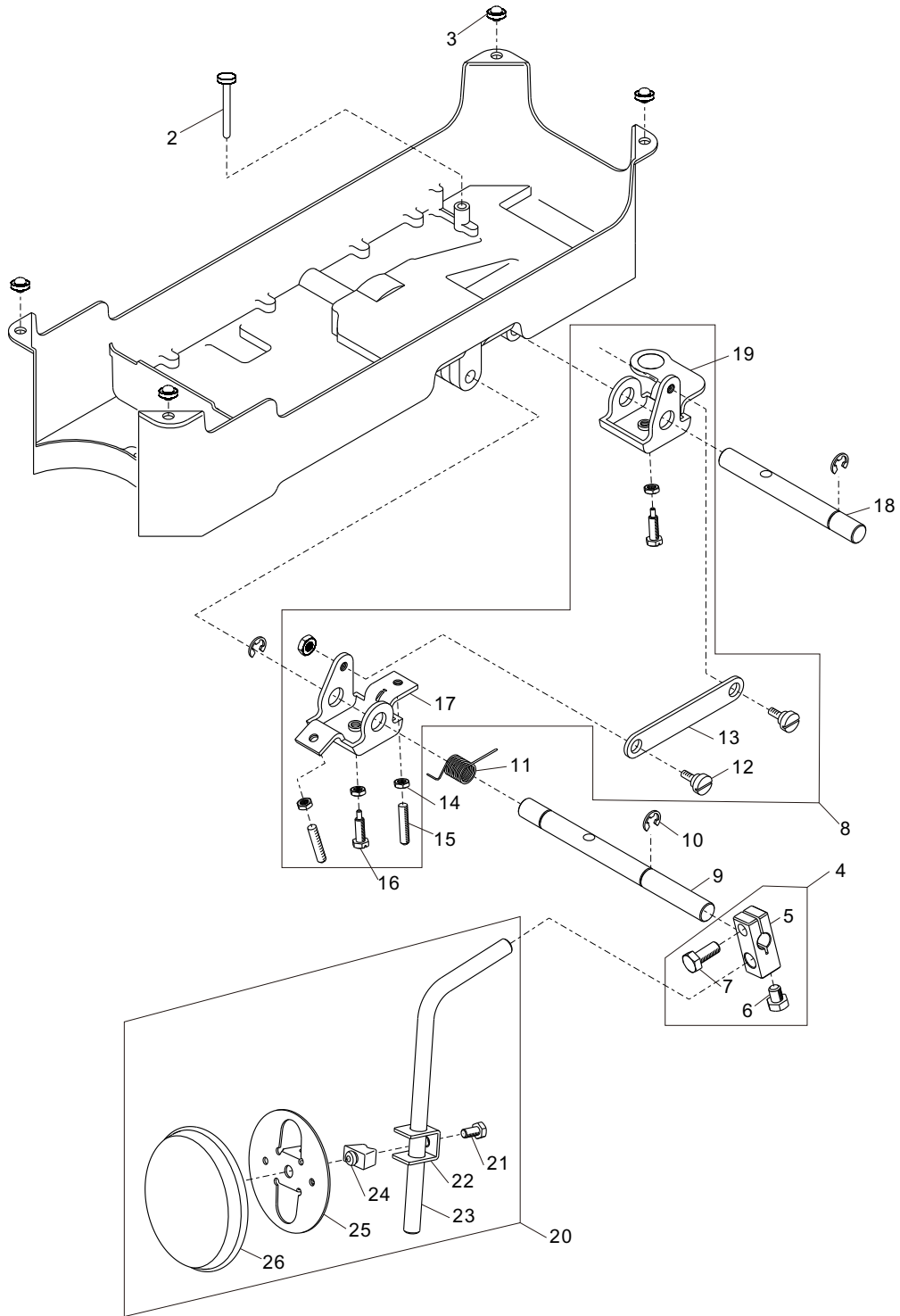
6、倒缝部件

Feed Adjust Mechanism Components

序号 Ref. No.	件号 PartNo.	名 称	Name of the part	数量 Qty.
37	20003414	倒送料扳手	Reverse feed spanner	1
38	10009187	螺钉 M6×8	Screw	1
39	10010286	送料调节螺柱	Screw bolt	1
40	10010240	O形圈	O-ring	1
41	10013869	旋钮锁簧	Spring	1

7、油盘膝提部件

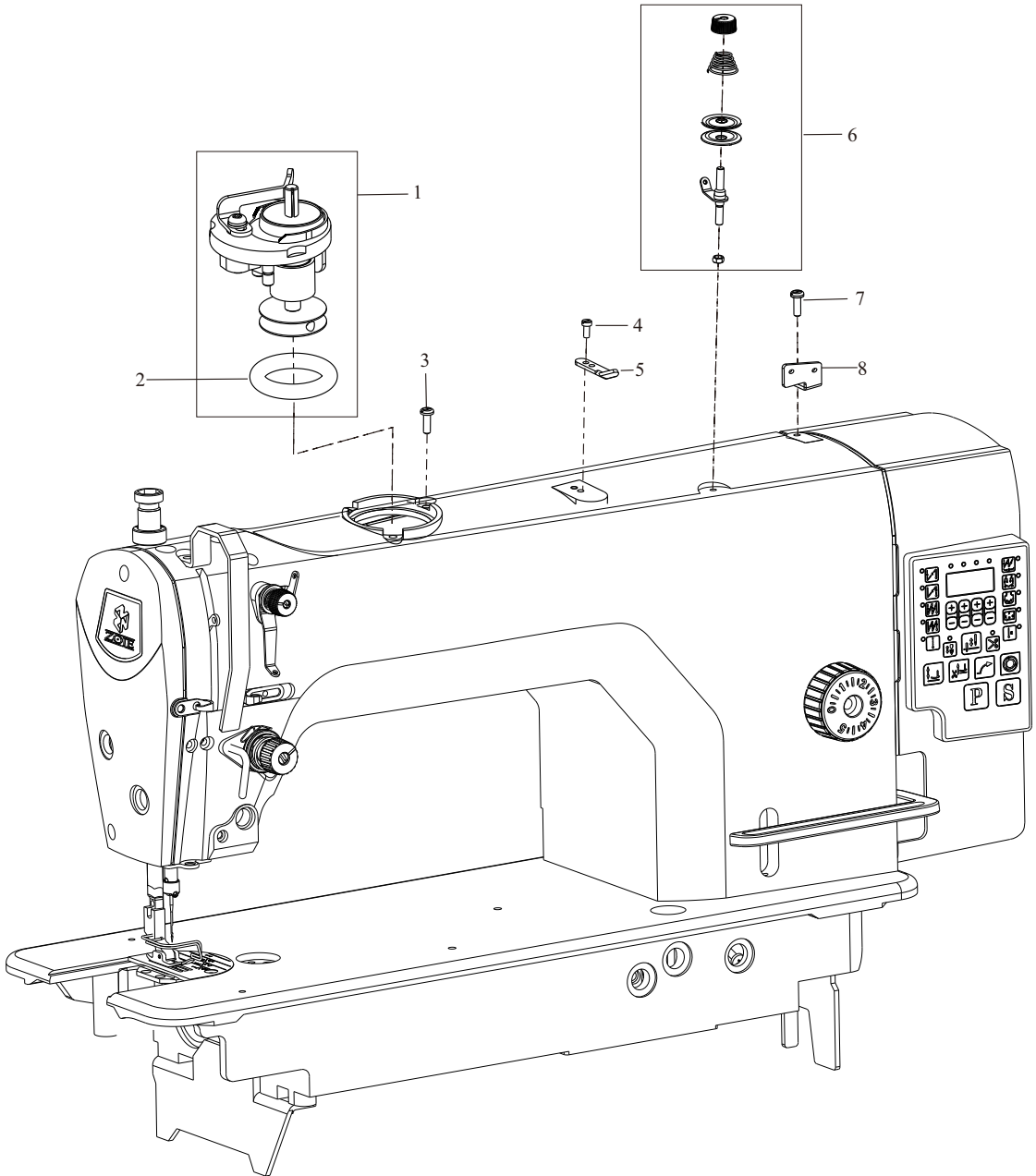
Presser Foot Components Of Oil Plate Knee Lift



7、油盘膝提部件 Presser Foot Components Of Oil Plate Knee Lift

序号 Ref. No.	件号 PartNo.	名 称	Name of the part	数量 Qty.
1	10012632	油盘	Oil reservoir	1
2	10012631	抬压脚顶杆	Knee lifter presser rod	1
3	10013102	机头座垫	Head Gasket	4
4	10002562	操纵杆接头组件	Bracket ASM.	1
5	10003896	操纵杆接头	Bracket	1
6	10002610	螺钉	Screw	1
7	10002613	螺钉	Screw	1
8	10024632	膝控限位架组件	Connecting Rod ASM.	1
9	10008450	抬压脚轴 I	Knee pressing shaft I	1
10	10002559	挡圈	Snap ring	3
11	10012677	弹簧	Spring	1
12	10008465	螺钉	Screw	2
13	10008464	连接板	Connecting Plate	1
14	10003890	螺母	Nut	6
15	10003895	螺钉	Screw	2
16	10003898	螺钉	Screw	2
17	10008463	膝控限位架 I	Connecting Rod I	1
18	10008466	抬压脚轴 II	Knee pressing shaft II	1
19	10008383	膝控限位架 II	Connecting Rod II	1
20	10009985	操纵杆部件	Knee pressing plate ASM.	1
21	10003894	螺钉	Screw	1
22	10003897	操纵杆接头	Knee pressing plate holder	1
23	10003901	操纵杆	Knee pressing plate rod	1
24	10003900	操纵杆垫	Knee pressing plate rubber	1
25	10003891	操纵板	Knee pressing plate	1
26	10004223	操纵板软垫	Knee pressing cover	1

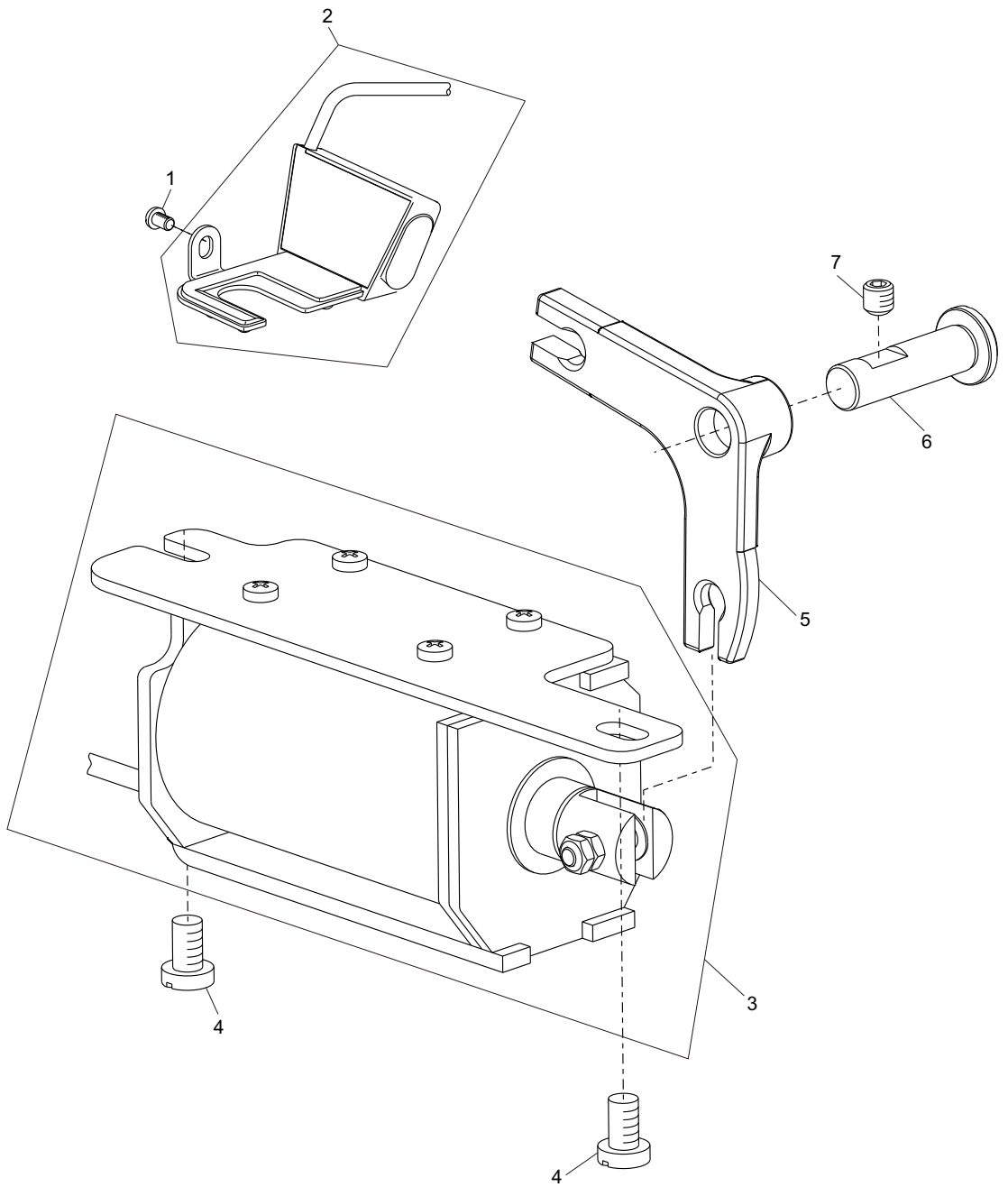
8、绕线部件部件 Bobbin Winder Components



8、绕线部件部件 Bobbin Winder Components

序号 Ref. No.	件号 PartNo.	名 称	Name of the part	数量 Qty.
1	10013875	绕线器	Bobbin winder ASM	1
2	10008773	橡胶轮	Rubber ring	1
3	10004380	螺钉	Screw	3
4	10013269	螺钉	Screw	2
5	10011149	绕线切刀	Thread cutter	1
6	10013064	绕线夹线器	Bobbin thread tension ASM	1
7	10011158	螺钉	Screw	1
8	10011200	上过线板	Thread Guide Plate	1

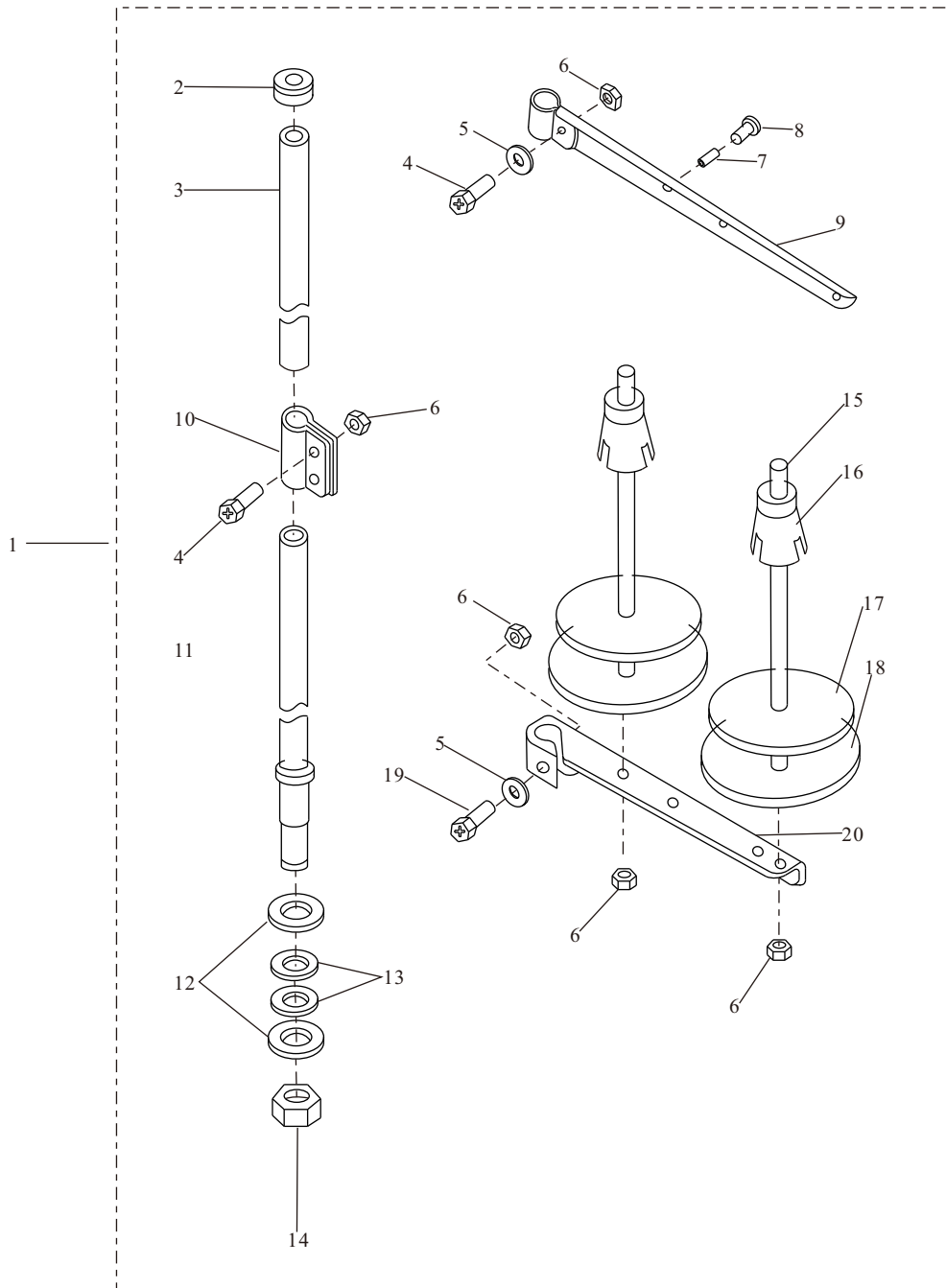
9、自动倒缝部件 Automatic Reverse Feed Components



9、自动倒缝部件 Automatic Reverse Feed Components

序号 Ref. No.	件号 PartNo.	名 称	Name of the part	数量 Qty.
1	10008934	螺钉	Screw	1
2	10038021	点动送料开关组件	Option Switch Asm	1
3	10034506	倒缝电磁铁组件	Electromagnet ASM	1
4	10012142	螺钉	Screw	2
5	10012587	倒缝摆臂	Washer	1
6	10012628	倒缝摆臂销	Crank Pin	1
7	10013538	螺钉	Screw	1

10、过线架部件 THREAD STAND COMPONENTS

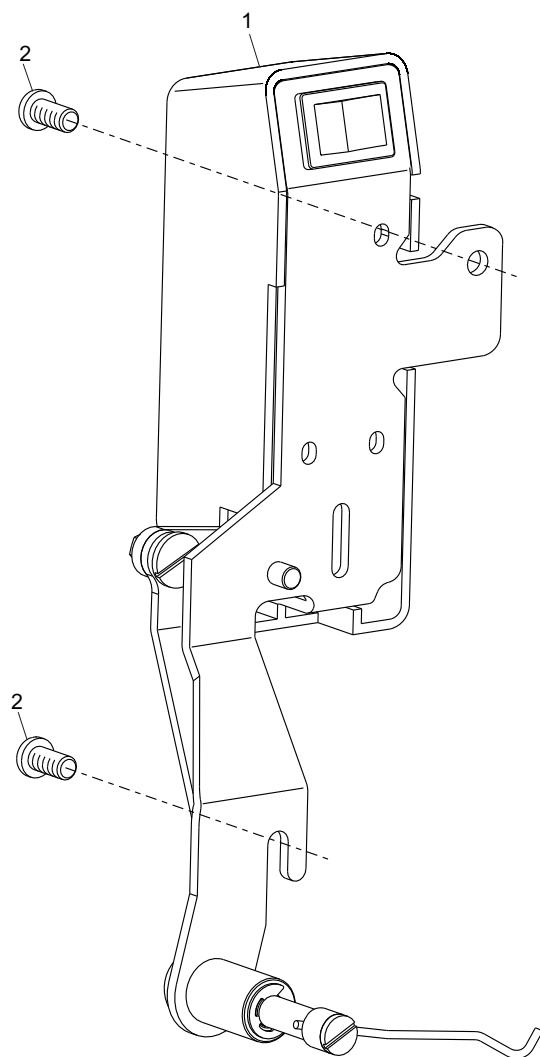


10、过线架部件

THREAD STAND COMPONENTS

序号 Ref. No.	件号 PartNo.	名 称	Name of the part	数量 Qty.
1	10007130	二线线架部件	Thread Stand ASM.	
2	10004282	线架上支撑管套	Column Cap	1
3	10004293	线架上支撑管	Column Pipe(Upper)	1
4	10003301	M5×14螺钉	Screw	2
5	10003022	垫圈	Washer	5
6	10002953	M5螺母	Nut	5
7	10004289	过线管	Thread Guide Pipe	1
8	10004285	过线管套	Thread Guide Bushing	1
9	10004298	上过线架	Thread Hanger(Upper)	1
10	10004286	撑管夹	Column Pipe Connector	1
11	10004291	线架下撑管	Column Pipe (Lower)	1
12	10004290	垫圈	Washer 16×30×1.5	2
13	10004295	垫圈	Washer 16.5×27.5×3	2
14	10002953	M5螺母	Nut	1
15	10004288	线轴	Spool	2
16	10004287	线盘塑料压块	Spool Cushion	2
17	10004281	线盘软垫	Soft Cushion Of Thread Plate	2
18	10004299	线盘	Thread Plate	2
19	10003312	M5×30螺钉	Screw	1
20	10004284	下过线架	Thread Hanger(Lower)	1

11、拨线部件 Wiper Components



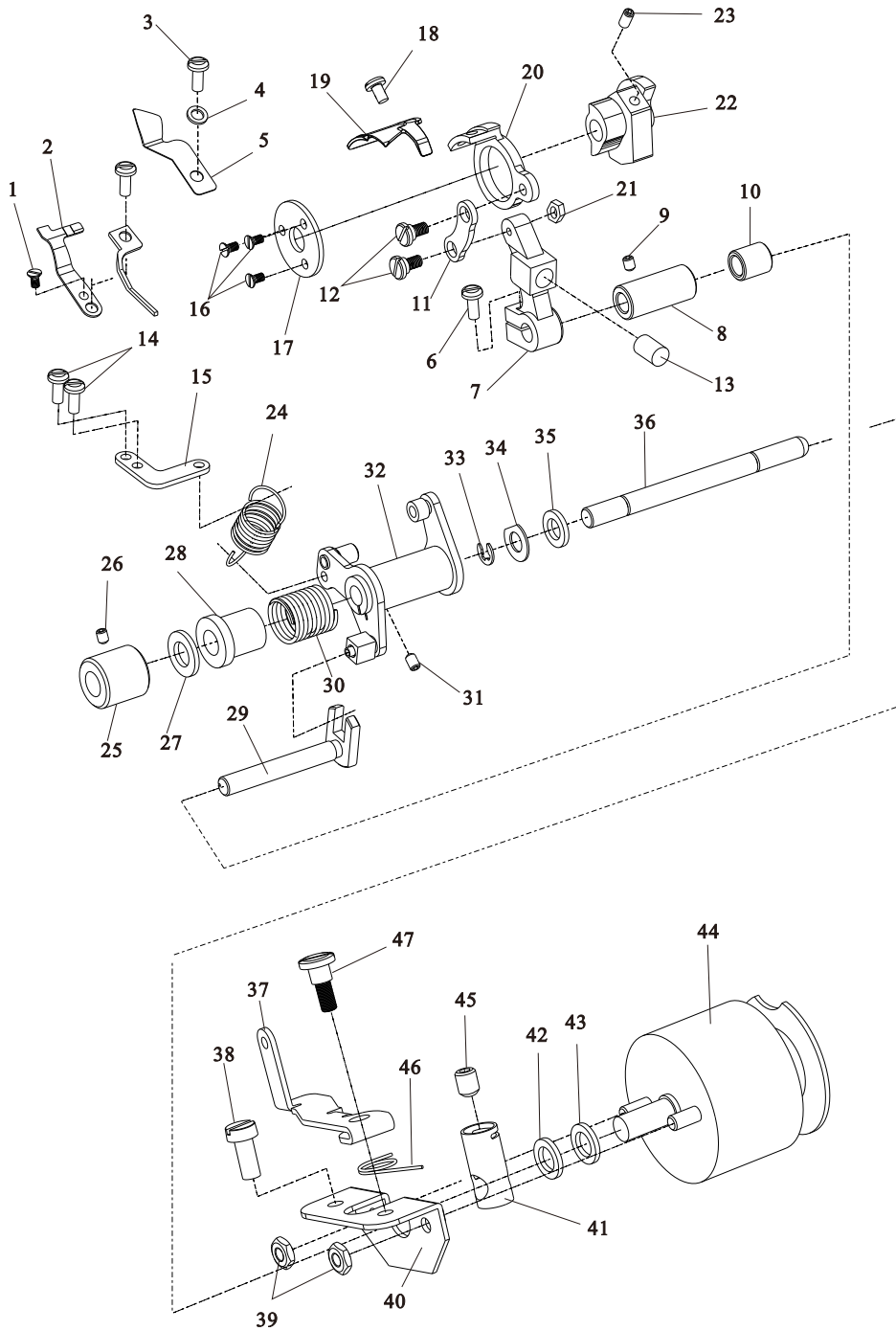
11、拨线部件

Wiper Components

序号 Ref. No.	件号 PartNo.	名 称	Name of the part	数量 Qty.
1	10034507	拨线器组件	Wiper ASM.	1
2	10012631	螺钉	Screw	2

12、自动剪线部件

THREAD TRIMMER COMPONENTS (Rotation Knife)



12、自动剪线部件

THREAD TRIMMER COMPONENTS (Rotation Knife)

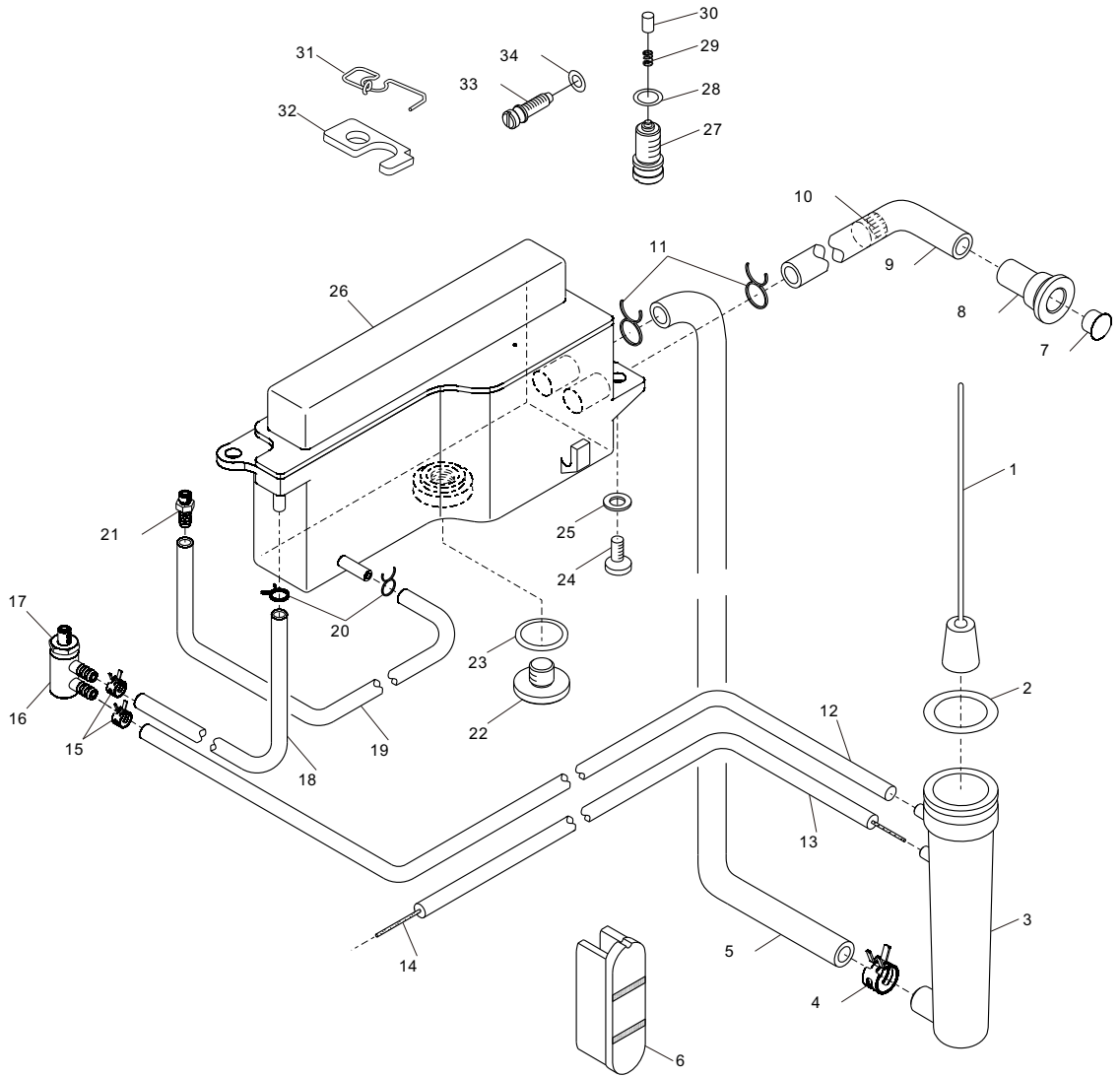
序号 Ref. No.	件号 PartNo.	名 称	Name of the part	数量 Qty.
1	10011422	螺钉	Screw SM9/64"×40 L=4	1
2	10011421	定刀	Fixed Knife	1
3	10011497	螺钉	Screw SM11/64"×40 L=9	3
4	10013154	垫圈	Washer	2
5	10011584	分线器	Dispart Thread Shuttle	1
6	10013333	螺钉	Screw SM3/16"×32 L=14	1
7	10013013	切线驱动曲柄	Trimming Crank	2
8	10013024	轴套	Bushing	1
9	10012162	M5×5螺钉	Screw	1
10	10013027	轴套	Bushing	1
11	10013044	刀轴连杆	Knife Shaft Connecting Bar	1
12	10011514	螺钉	Screw	2
13	10013010	切线驱动曲柄止动块	Crank Block	1
14	10010595	M4×7.5螺钉	Screw	2
15	10013023	弹簧固定板	Fixed Plate	1
16	10009626	M3×4.35螺钉	Screw	3
17	10013026	刀架压板	Knife Holder	1
18	10011588	螺钉	Screw SM11/64"×40 L=4.7	2
19	10011494	动刀	Round Knife	1
20	10013045	动刀架	Round Knife Bracket	1
21	10011578	螺母	Nut	1
22	10010736	剪线凸轮	Thread Trimmer Cam	1
23	10013465	螺钉	Screw SM1/4"×40 L=10	2
24	10013030	弹簧	Spring	1
25	10014462	轴套	Bushing	1
26	10012162	M5×5螺钉	Screw	1
27	10013008	垫圈	Washer	1
28	10014196	扭簧端盖	Spring Cover	1
29	10013007	切线驱动曲柄轴	Trimming Crank Shaft	1
30	10008812	弹簧	Spring	1
31	10008862	螺钉	Screw SM1/4"×40 L=5.8	1
32	10013878	切线凸轮曲柄组件	Trimming Cam Crank ASM	1
33	10013038	垫圈	Washer	1
34	10014460	垫圈	Washer	1
35	10011650	垫圈	Washer	1
36	10011697	切刀驱动轴	Trimming Shaft	1
37	10013050	松线座	Loosing Plate	1

12、自动剪线部件

THREAD TRIMMER COMPONENTS (Rotation Knife)

序号 Ref. No.	件号 PartNo.	名 称	Name of the part	数量 Qty.
38	10011605	螺钉	Screw SM1/4"×28 L=12	1
39	10009471	M4螺母	Nut	2
40	10006131	剪线电磁铁安装座	Solenoid Base	1
41	10013046	剪线电磁铁连接体	Solenoid Connecting Shaft	1
42	10011845	垫圈	Washer	1
43	10011606	垫圈	Washer	1
44	10006137	剪线电磁铁	Thread Trimmer Solenoid	1
45	10013590	螺钉	Screw SM11/64"×40 L=4	1
46	10008834	弹簧	Spring	1
47	10012467	螺钉	Screw	1

13、润滑部件 OIL LUBRICATION COMPONENTS



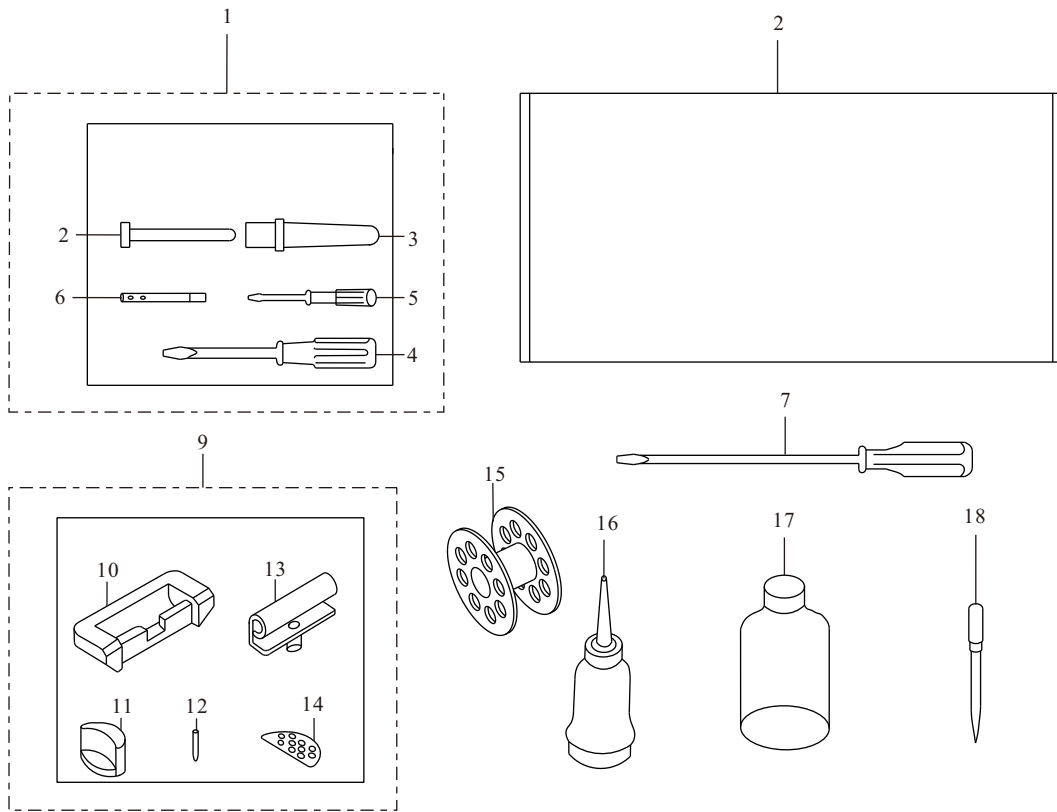
13、润滑部件

OIL LUBRICATION COMPONENTS

序号 Ref. No.	件号 PartNo.	名 称	Name of the part	数量 Qty.
1	10000569	油标	Floater ASM.	1
2	10008777	油杯O形圈	O-ring	1
3	10008782	油杯	Floater case	1
4	10013048	大油管紧固簧	Pipe stopper	1
5	10007806	油杯大油管	Oil pipe	1
6	10008772	油标窗	Oil sight window	1
7	10008943	加油杯橡胶塞	Rubber plug	1
8	10008780	加油杯	Oil inlet	1
9	10007806	总进油管	Oil pipe	1
10	20007434	滤油嘴组件	Oil filter ASM.	1
11	10008785	大油管紧固簧	Pipe stopper	2
12	10007800	回油管	Oil pipe	1
13	10007800	机头供油管	Oil pipe	1
14	10008101	面部供油线	Oil wick	1
15	10012160	小油管紧固簧	Pipe stopper	2
16	10030182	油管三接头组件	Oil connection ASM.	1
17	10013012	螺母	Nut	1
18	10007800	回油管	Oil pipe	1
19	10007800	旋梭供油管	Oil pipe	1
20	10008781	小油管紧固簧	Pipe stopper	2
21	10008779	油管接头	Oil connection	1
22	10008783	螺钉	Screw	1
23	10010240	O形圈	O-ring	1
24	10008972	油盒固定螺钉	Screw	2
25	10009469	垫圈	Washer	2
26	10012669	油盒	Oil tank ASM.	1
27	10013025	柱塞螺钉	Screw	1
28	10014461	O形圈	O-ring	1
29	10014386	柱塞簧	Plunger spring	1
30	10012609	柱塞	Plunger	1
31	10022507	毛毡压簧	Oil felt presser	1
32	10013020	回油毛毡	Oil felt	1
33	10012667	油量调节螺钉	Screw	1
34	10012606	O形圈	O-ring	1

14、附件

ACCESSORIE PART COMPONENTS



14、附件
Auxiliaries

序号 Ref. No.	件号 PartNo.	名 称	Name of the part	数量 Qty.
1		附件A	Accessorie Bag Asm A	1
2	10012631	抬压脚顶杆	Knee Lifter Presser Rod	1
3	10004514	机头支柱	rame Support Bar	1
4	10010995	中螺丝刀	Screw Driver,Middle	1
5	10013185	中螺丝刀	Screw Driver,Small	1
6	10005639	过线柱	Needle Thread Guide ASM	1
7	10010994	大螺丝刀	Screw Driver,Large	1
8	10005776	机头罩	Frame Viinyl Cover	1
9		附件B	Accessorie Bag ASM B	1
10	10006286	机头连接钩座	Rubber Cushion	2
11	10013113	油盘支座	Oil Reservior Seat	2
12	10003889	油盘座钉	Nail	6
13	10004466	机头连接钩部件	Hinge Compl	2
14	10013101	油盘座垫	Oil Reservior Cushion	2
15	10010060	梭芯	Bobbin	3
16	10013294	小油壶	Oiler ASM	1
17	10004455	油箱	Oil Box	1
18	10034917	DB×114#格罗茨机针	Needle	3
19	10034916	DP×518#格罗茨机针	Needle	3