

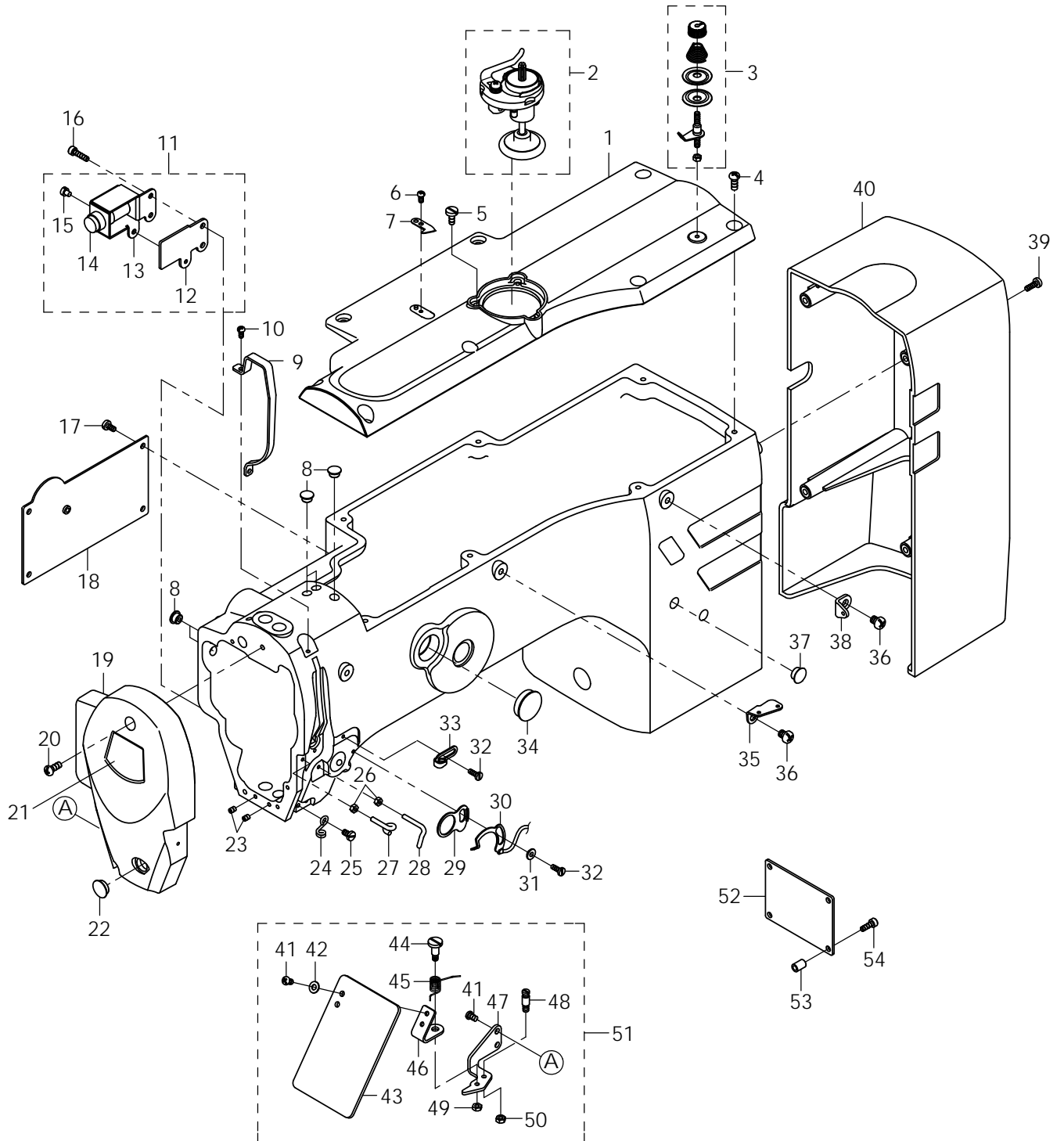
# CONTENTS

## 目录

1. FRAME & MISCELLANEOUS COVER COMPONENTS (1)	1
机头、外装部件(1)	
2. FRAME & MISCELLANEOUS COVER COMPONENTS (2)	3
机头、外装部件(2)	
3. MAIN SHAFT & NEEDLE BAR COMPONENTS	5
上轴、针杆部件	
4. PRESSER MECHANISM & PRESSER VARIABLE COMPONENTS (1)	7
中压脚部件(1)	
5. PRESSER MECHANISM & PRESSER VARIABLE COMPONENTS (2)	9
中压脚部件(2)	
6. SHUTTLE DRIVER SHAFT COMPONENTS	11
下轴部件	
7. TENSION RELEASE & THREAD TENSION COMPONENTS	13
松线部件	
8. WIPER MECHANISM COMPONENTS	15
拨线部件	
9. THREAD CLAMP COMPONENTS	17
夹线部件	
10. THREAD TRIMMER MECHANISM COMPONENTS	19
剪线部件	
11. X-Y COMPONENTS	21
X-Y部件	
12. CLOTH FEED MECHANISM COMPONENTS (TYPE F)	23
送料部件	
13. CLOTH FEED MECHANISM COMPONENTS (TYPE B,C,G)	25
送料部件	
14. CLOTH FEED MECHANISM COMPONENTS (TYPE H)	27
送料部件	
15. CLOTH FEED MECHANISM COMPONENTS (TYPE D)	29
送料部件	
16. PNEUMATIC COMPONENTS (TYPE F,B)	31
气动部件	
17. PNEUMATIC COMPONENTS (TYPE C)	32
气动部件	
18. PNEUMATIC COMPONENTS (TYPE D,G,H)	33
气动部件	
19. ACCESSORIES COMPONENTS	34
附件部件	

# 1. FRAME & MISCELLANEOUS COVER COMPONENTS (1)

机头、外装部件(1)



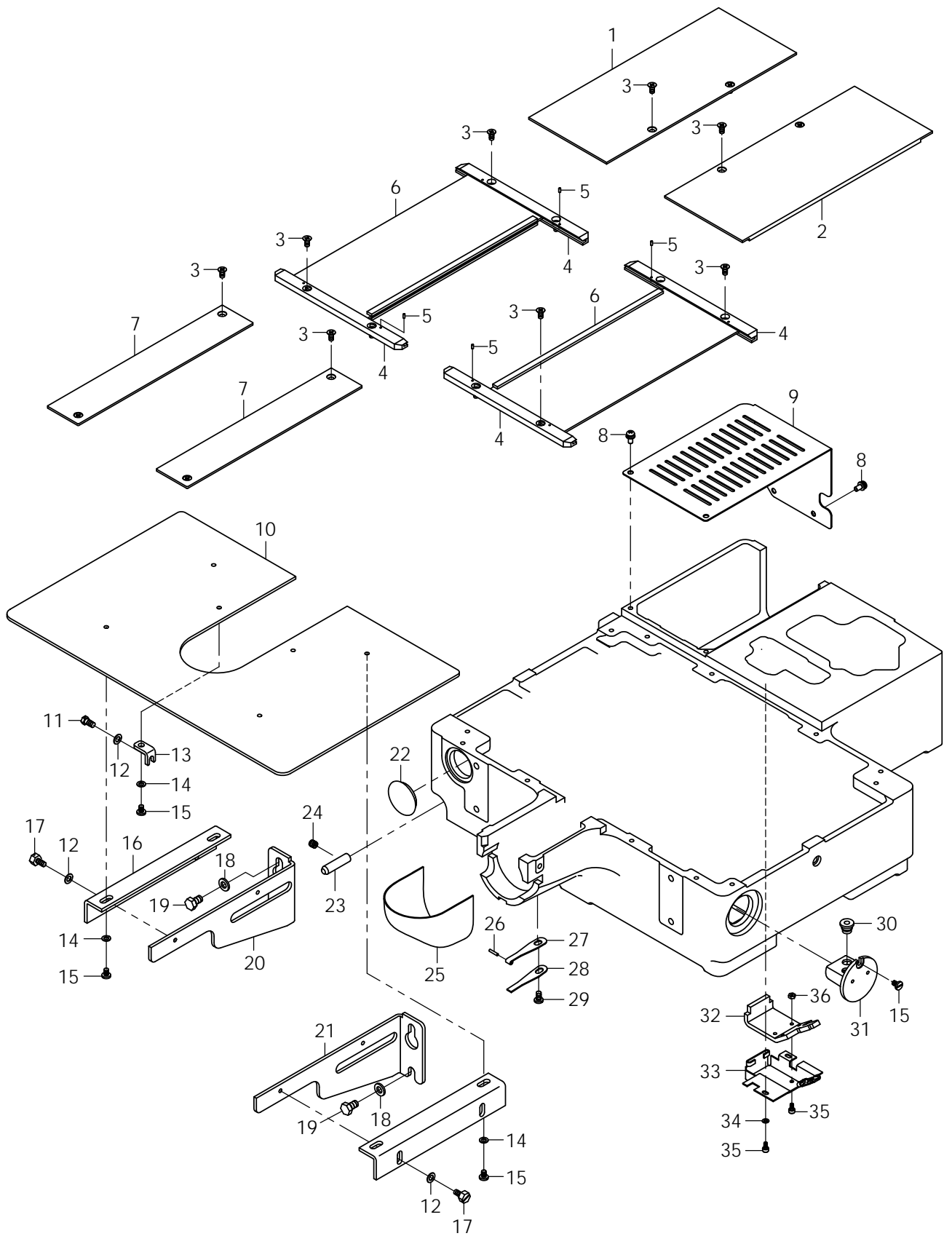
## 机头、外装部件(1)

## FRAME &amp; MISCELLANEOUS COVER COMPONENTS (1)

序号 No.	件号 Part No.	名称	DESCRIPTION	数量 Qty
1	20008484	上盖	UPSIDE_COVER	1
2	10027383	绕线器	BOBBIN_WINDER_UNIT	1
3	10011134	绕线夹线器	BOBBIN_THREAD_TENSION_ASM.	1
4	10008776	螺钉 M5 L=12	SCREW M5 L=12	8
5	10011101	螺钉 SM11/64"×40 L=11	SCREW SM11/64"x40 L=11	3
6	10011143	螺钉 SM9/64"×40 L=7	SCREW SM9/64"x40 L=7	1
7	10011149	绕线切刀	THREAD_CUTTER	1
8	10000090	摆动架销油塞	RUBBER_PLUG	5
9	20003790	挑线杆防护罩	THREAD_TAKE_UP_LEVER_COVER	1
10	10011143	螺钉 SM9/64"×40 L=7	SCREW SM9/64"x40 L=7	2
11	20010744	急停开关组件	STOP_SWITCH_ASM.	(1)
12	20010435	急停开关安装板喷漆件	STOP_SWITCH_PLATE	1
13	20010434	急停开关盒喷漆件	STOP_SWITCH_BOX	1
14	10028708	急停开关	STOP_SWITCH	1
15	10009595	螺钉 M4 L=4.5	SCREW M4 L=4.5	1
16	10000863	螺钉 M4 L=12	SCREW M4 L=12	2
17	10009868	螺钉 M4 L=8	SCREW M4 L=8	4
18	20008485	后盖板	LEFTWARD_COVER	1
19	20008483	面板	FACE_COVER	1
20	10008776	螺钉 M5 L=12	SCREW M5 L=12	2
21	10005468	面板装饰牌	FACE_PLATE	1
22	10011099	橡胶塞	RUBBER_PLUG	1
23	10000563	螺钉 M4 L=5	SCREW M4 L=5	2
24	10011139	下线钩	ARM_THREAD_GUIDE_B	1
25	10010668	螺钉 SM11/64"×40 L=7.8	SCREW SM11/64"x40 L=7.8	1
26	10011140	螺母 SM9/64"×40	NUT SM9/64"x40	2
27	10011148	中线钩	ARM_THREAD_GUIDE_M	1
28	10000181	中线钩	L_SHAPED_THREAD_GUIDE	1
29	10000741	传感片内绝缘片	GUIDE_PLATE	1
30	20005462	断线检测组件	THB_SENSOR_CABLE_ASM.	1
31	10000752	传感片外绝缘片	BUSHING	1
32	10009691	螺钉 SM9/64"×40 L=10	SCREW SM9/64"x40 L=10	2
33	10008940	右线钩	ARM_THREAD_GUIDE_R	1
34	10027270	橡胶塞	RUBBER_PLUG	1
35	10011200	上过线板	THREAD_GUIDE_PLATE_B	1
36	10011158	螺钉 SM15/64"×28 L=7	SCREW SM15/64"x28 L=7	2
37	10011136	橡胶塞	RUBBER_PLUG	2
38	10011145	单眼过线板	THREAD_GUIDE_PLATE_A	1
39	10003049	螺钉 M4 L=12	SCREW M4 L=12	4
40	10027262	后罩	BACK_COVER	1
41	10011570	螺钉 SM11/64"×40 L=7	SCREW SM11/64"x40 L=7	4
42	10011680	垫圈 4.6×9.7×0.8	WASHER 4.6x9.7x0.8	2
43	10011636	安全板	SAFETY_PLATE	1
44	10011677	螺钉轴	HINGE_SCREW	1
45	10011678	弹簧	SPRING	1
46	10011684	安全板架组件	SAFETY_PLATE_INSTALLING_PLATE_B	1
47	10011632	安全板座	SAFETY_PLATE_INSTALLING_PLATE_A	1
48	10011633	销钉	SCREW_PIN	1
49	10010370	螺母 SM11/64"×40	NUT SM11/64"x40	1
50	10011682	螺母 SM3/16"×28	NUT SM3/16"x28	1
51	20004358	眼睛防护罩组件	SAFETY_PLATE_ASM.	(1)
52	10031715	信号转接板	SIGNAL_SWITCH_BOARD	1
53	10024992	转接板支柱	SUPPORT_PILLAR	4
54	10009103	螺钉 M4 L=16	SCREW M4 L=16	4

## 2. FRAME & MISCELLANEOUS COVER COMPONENTS (2)

机头、外装部件(2)





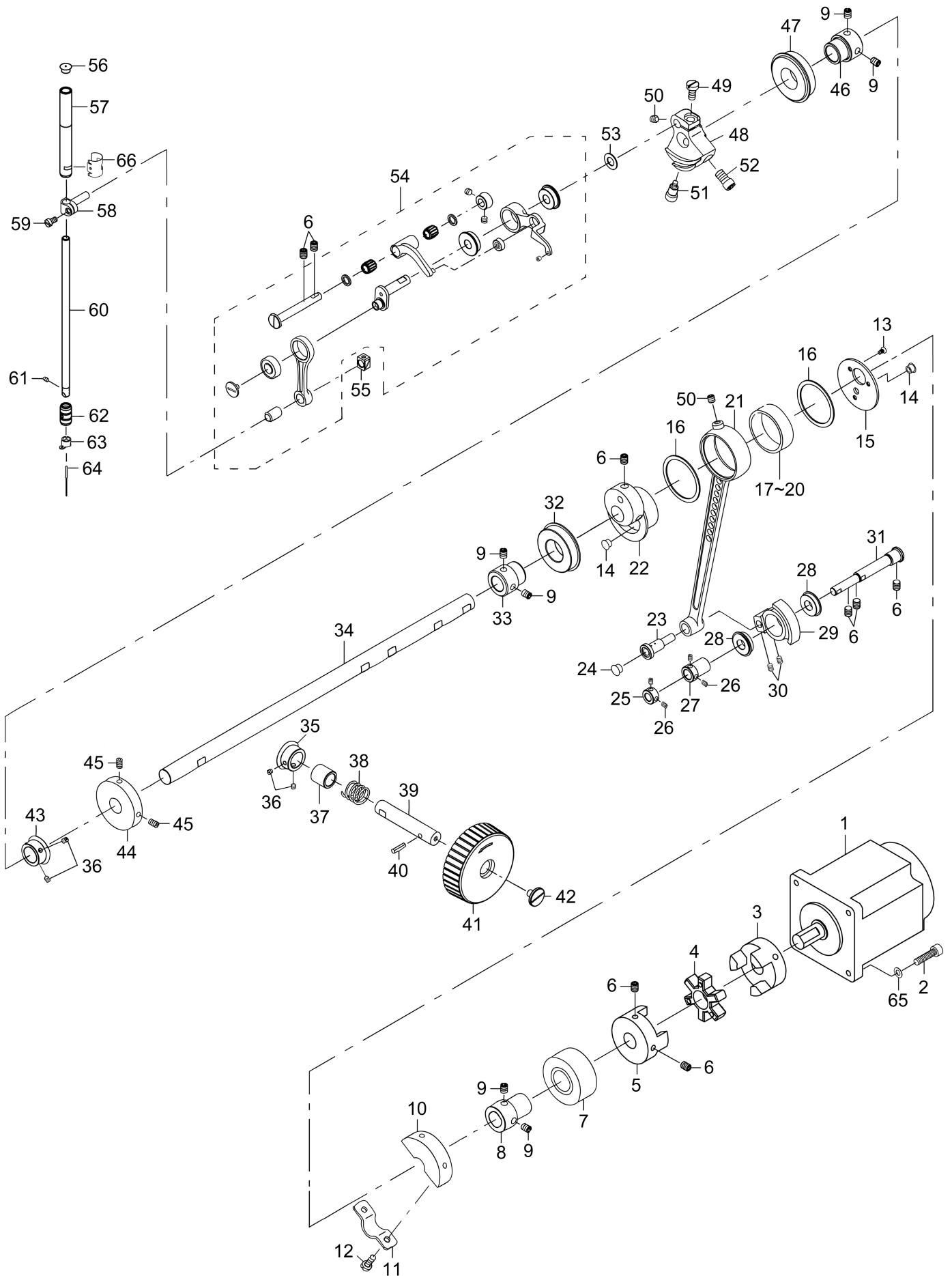
## 机头、外装部件(2)

## FRAME &amp; MISCELLANEOUS COVER COMPONENTS (2)

序号 No.	件号 Part No.	名称	DESCRIPTION	数量 Qty
1	10027271	左上盖板组件	X MOVEMENT UPPER COVER L ASM.	1
2	10027272	右上盖板组件	X MOVEMENT UPPER COVER R ASM.	1
3	10000202	螺钉 M4 L=6	SCREW M4 L=6	16
4	10027265	X向滑移板导轨	X MOVEMENT COVER RAIL	4
5	10002876	销	SPRING PIN 1.5x4	4
6	10027273	X向滑移挡板	X MOVEMENT LOWER COVER ASM.	2
7	10027264	外侧盖板	FEED_BASE_COVER	2
8	10000707	螺钉组件 M4 L=5.6	SCREW M4 L=5.6	4
9	20008490	X向电机盖板	X_MOTOR_COVER	1
10	10027263	缝台	NEEDLE_PLATE_SUPPORT_COVER	1
11	10000852	螺钉 SM3/16"×28 L=9	SCREW SM3/16"x28 L=9	2
12	10006780	垫圈 5.2	WASHER 5.2	6
13	10000197	缝台固定板2	COVER_SUPPORT 2	2
14	10011680	垫圈 4.6×9.7×0.8	WASHER 4.6x9.7x0.8	6
15	10014441	螺钉 M4 L=6	SCREW M4 L=6	7
16	10006396	缝台支架板	COVER BASE	2
17	10000595	螺钉 SM11/64"×40 L=9	SCREW SM11/64"x40 L=9	4
18	10000480	垫圈 6	WASHER 6	4
19	10005122	螺钉 M6 L=10	SCREW M6 L=10	4
20	10006399	右缝台大支架	COVER_SUPPORT_R	1
21	10006395	左缝台大支架	COVER_SUPPORT_L	1
22	10000184	底板正面大油塞	RUBBER PLUG	1
23	10011141	销	PIN	2
24	10011232	螺钉 M6 L=6	SCREW M6 L=6	2
25	20004123	梭床罩	HOOK COVER ASM.	1
26	10010815	销	PIN	1
27	10011420	弹簧	PRESSER SPRING A	1
28	10010807	弹簧	PRESSER SPRING B	2
29	10010808	螺钉 SM11/64"×40 L=7.8	SCREW SM11/64"x40 L=7.8	1
30	10014296	油窗塞	RUBBER PLUG	2
31	10021601	油窗组件	OIL TANK ASM.	1
32	10028678	毛毡	FELT	1
33	10028677	齿轮油罩	GREASE COVER	1
34	10000927	垫圈	WASHER 3.2	2
35	10001513	螺钉 M3 L=6	SCREW M3 L=6	6
36	10003887	螺母 M3	NUT M3	4

### 3. MAIN SHAFT & NEEDLE BAR COMPONENTS

上轴、针杆部件



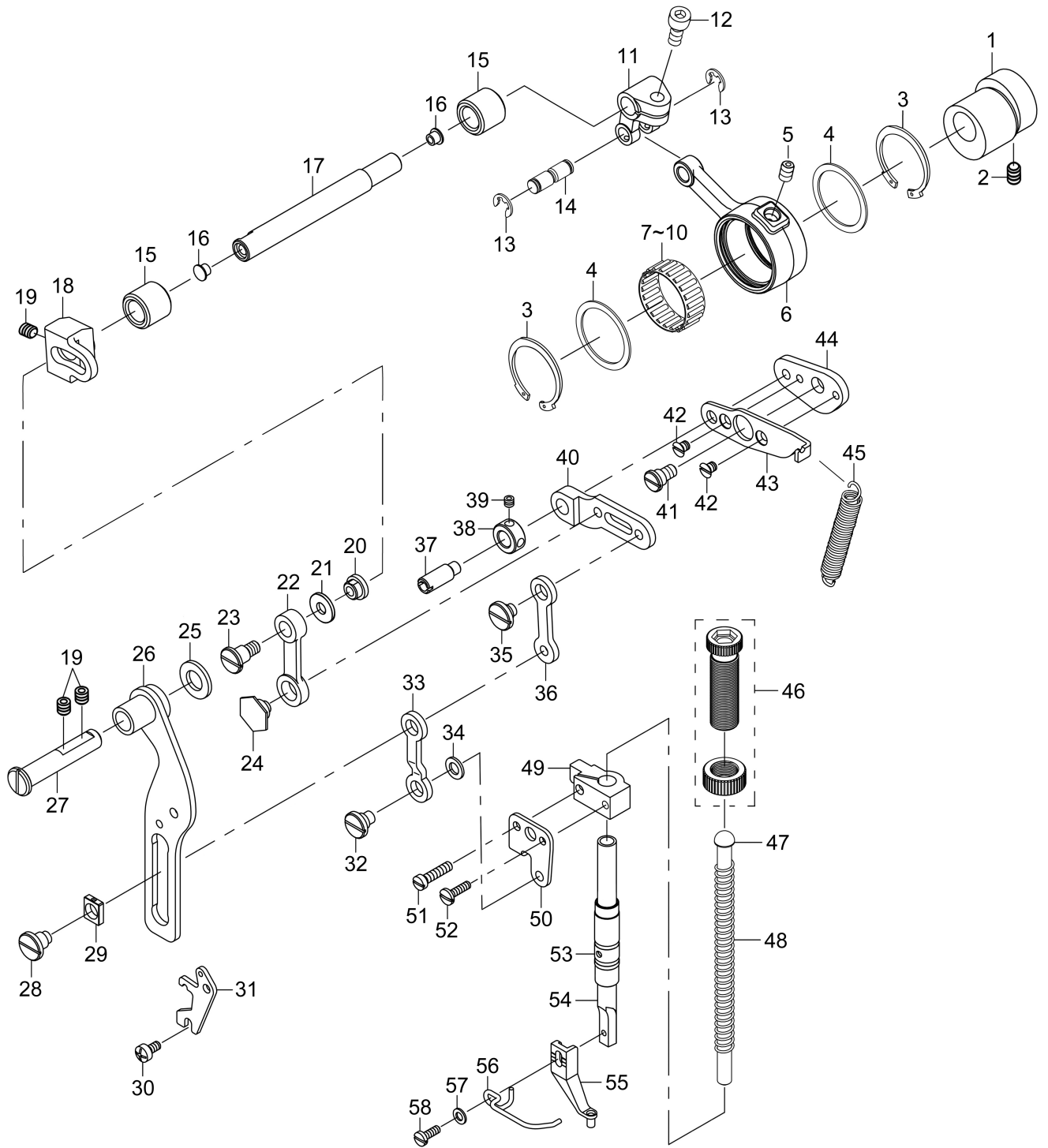
## 上轴、针杆部件

## MAIN SHAFT &amp; NEEDLE BAR COMPONENTS

序号 No.	件号 Part No.	名称	DESCRIPTION	数量 Qty
1	10031828	主轴电机	MAIN SHAFT SERVO MOTOR	1
2	10001943	螺钉 M5 L=20	SCREW M5 L=20	4
3	10012615	联轴器(1)	COUPLING (1)	1
4	10011227	联轴器橡胶块	COUPLING RUBBER	1
5	10012613	联轴器(2)	COUPLING (2)	1
6	10009187	螺钉 M6 L=8	SCREW M6 L=8	11
7	10025863	轴承 5204Z	BEARING 5204Z	1
8	10014264	轴承衬套	BEARING_BUSH	1
9	10010678	螺钉 15/64-28 L=8	SCREW 15/64-28 L=8	6
10	10014337	上轴平衡轮	MAIN SHAFT BALANCER	1
11	10014332	平衡轮固定板	BALANCER_FIX_PLATE	1
12	10011644	螺钉 M5 L=13	SCREW M5 L=13	2
13	10009626	螺钉 M3 L=6	SCREW M3 L=6	3
14	10014266	橡胶塞	RUBBER PLUG	2
15	10014268	大连杆滚针轴承盖板	CRANK_ROD_SUPPORT_PLATE	1
16	10014269	挡圈	BEARING_SUPPORT_PLATE	2
17	10023508	滚针轴承	NEEDLE BEARING	(1)
18	10023509	滚针轴承	NEEDLE BEARING	(1)
19	10023510	滚针轴承	NEEDLE BEARING	1
20	10023511	滚针轴承	NEEDLE BEARING	(1)
21	10014270	大连杆	CRANK ROD	1
22	10014265	大连杆偏心轮	ECCENTRIC CAM	1
23	10014333	销	CONNECTING SHAFT	1
24	10011188	橡胶塞	RUBBER PLUG	1
25	10004600	挡圈	THRUST COLLAR	1
26	10013590	螺钉 11/64-40 L=4	SCREW 11/64-40 L=4	4
27	10025296	挡圈	THRUST COLLAR	1
28	10003533	轴承 6900ZZNR	BEARING 6900ZZNR	1
29	10008790	扇形齿轮	OSCILLATING GEAR	1
30	10012162	螺钉 M5 L=5	SCREW M5 L=5	2
31	10008551	扇形齿轮偏心轴	OSCILLATING_GEAR_ECCENTRIC_SHAFT	1
32	10003547	轴承 6022VVNR	BEARING 6022VVNR	1
33	10014362	轴承衬套	BEARING_BUSH	1
34	10027274	上轴	MAIN SHAFT	1
35	10021312	齿轮 A	GEAR_A	1
36	10011226	螺钉 11/64-40 L=2.8	SCREW 11/64-40 L=2.8	4
37	10027277	轴套	NEEDLE FEED SHAFT METAL	1
38	10011242	弹簧	SPRING	1
39	10027278	手轮轴	HANDWHEEL SHAFT	1
40	10006073	销	SPRING PIN	1
41	10011603	手轮	HANDWHEEL	1
42	10011225	螺钉 M6	HANDWHEEL SETSCREW M6	1
43	10027407	齿轮 B	GEAR_B	1
44	10009172	绕线主动轮	BOBBIN WINDER DRIVING WHEEL	1
45	10011223	螺钉 11/64-40 L=11.5	SCREW 11/64-40 L=11.5	2
46	10014280	轴承衬套	BEARING_BUSH	1
47	10025882	6004NR-2RS_BOM轴承	BEARING 6004NR-2RS	1
48	10014283	针杆曲柄	COUNTER WEIGHT	1
49	10014272	螺钉 M6 L=11.5	SCREW M6 L=11.5	1
50	10022863	螺钉 M6 L=6	SCREW M6 L=6	2
51	10014282	螺钉 M8	SCREW M8	1
52	10014284	螺钉 M8 L=12	SCREW M8 L=12	1
53	10011622	垫圈 8×15×0.7	WASHER 8×15×0.7	1
54	10021602	挑线杆组件	THREAD_TAKE_UP_COMPL	1
55	10011194	针杆连接轴滑块	SLIDE BLOCK	1
56	10010587	橡胶塞	RUBBER PLUG	1
57	10027276	针杆上轴套	NEEDLE_BAR_METAL	1
58	10010590	针杆连接柱	NEEDLE BAR CONNECTING	1
59	10030286	螺钉 9/64-40 L=6	SCREW 9/64-40 L=6	1
60	10000323	针杆	NEEDLE BAR	1
61	10010588	螺钉 1/8-44 L=4.5	SCREW 1/8-44 L=4.5	1
62	10027275	针杆下轴套	NEEDLE_BAR_LOWER_METAL	1
63	10000237	针杆线钩	THREAD GUIDE	1
64	10004896	机针 DP×17 18#	NEEDLE DP×17 18#	1
65	10000260	垫圈 5.2×9.8×1	WASHER 5.2×9.8×1	4
66	10031678	挡油片	NEEDLE_BAR_METAL_GREASE_COVER	1

# 4. PRESSER MECHANISM & PRESSER VARIABLE COMPONENTS (1)

## 中压脚部件(1)



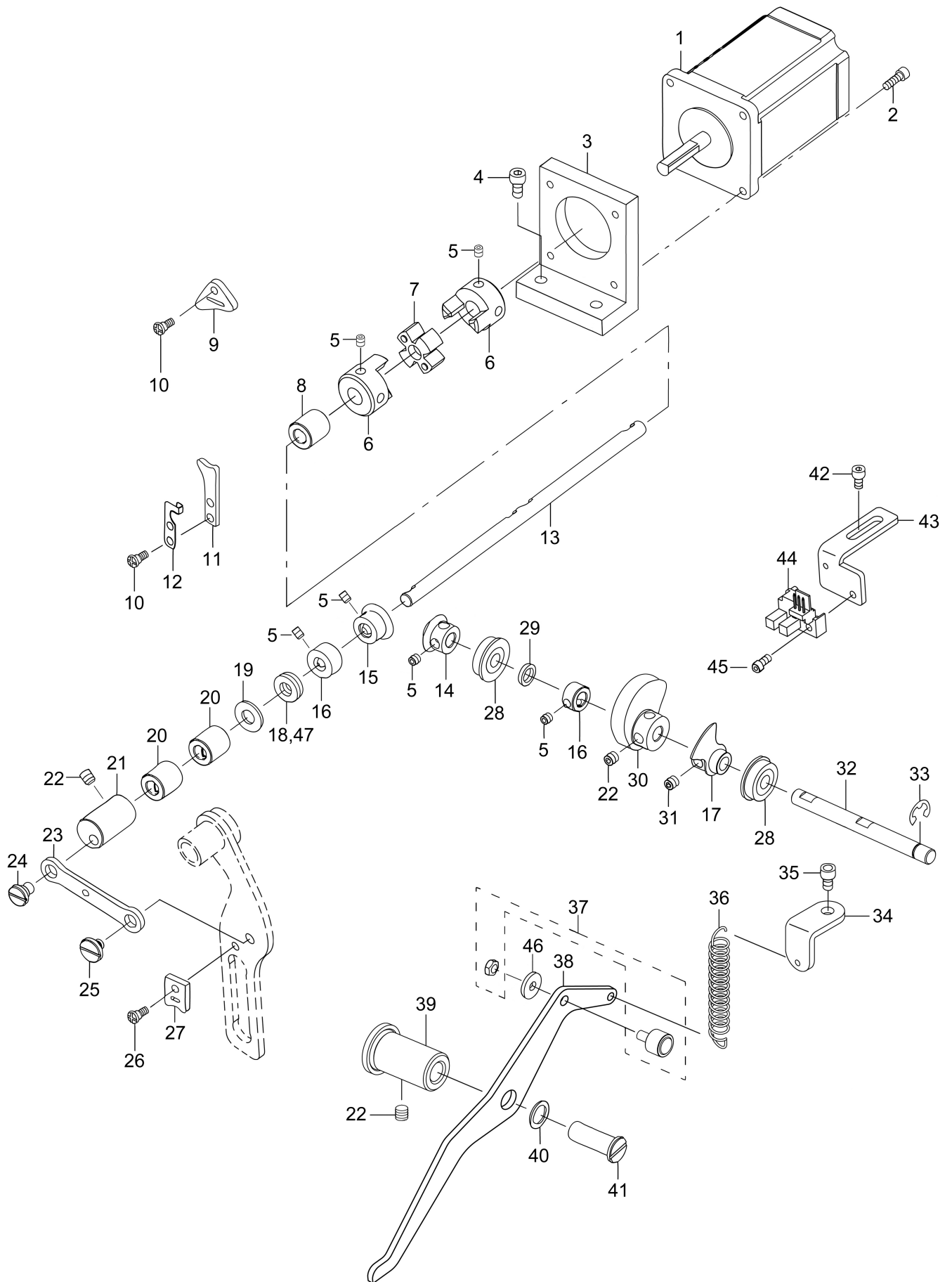
## 中压脚部件(1)

## PRESSER MECHANISM &amp; PRESSER VARIABLE COMPONENTS (1)

序号 No.	件号 Part No.	名称	DESCRIPTION	数量 Qty
1	10027282	偏心轮	ECCENTRIC CAM	1
2	10009187	螺钉 M6 L=8	SCREW M6 L=8	2
3	10030861	挡圈	RETAINING RING	2
4	10027336	垫圈 28.5×35×1	WASHER 28.5×35×1	2
5	10022863	螺钉 M6×0.75 L=6	SCREW M6 L=6	1
6	10027280	连杆	CRANK CONNECTING ROD	1
7	10029000	滚针轴承	NEEDLE BEARING	(1)
8	10029001	滚针轴承	NEEDLE BEARING	1
9	10029002	滚针轴承	NEEDLE BEARING	(1)
10	10029003	滚针轴承	NEEDLE BEARING	(1)
11	10000642	压脚同步曲柄	FORKED LINK	1
12	10009008	螺钉 M6 L=16	SCREW M6 L=16	1
13	10009654	开口挡圈 6	E-RING 6	2
14	10027283	销	CONNECTING SHAFT	1
15	10027284	轴套	BUSHING	2
16	10027286	橡胶塞	RUBBER PLUG	2
17	10027285	压脚行程调节曲柄轴	PRESSER WAVING SHAFT	1
18	10000479	压脚行程调节曲柄	ADJUSTING ARM	1
19	10011232	螺钉 M6 L=6	SCREW M6 L=6	3
20	10000632	螺母	ADJUSTING NUT	1
21	10000480	垫圈 6	WASHER 6	1
22	10027288	连杆	INTERMEDIATE PRESSURE LINK A	1
23	10027287	螺钉 15/64-28	SCREW 15/64-28	1
24	10027289	螺钉	SCREW	1
25	10027307	垫圈 10.4×19×2	WASHER 10.4×19×2	1
26	10027331	提升导轨组件	PRESSURE VARIABLE PLATE ASM	1
27	10027308	定位轴	LOCATING SHAFT	1
28	10027302	螺钉	SCREW	1
29	10027301	压脚提升导轨滑块	SLIDE BLOCK	1
30	10009868	螺钉 M4 L=8	SCREW M4 L=8	2
31	10027293	复位簧拉板	SPRING LOCATING PLATE	1
32	10027303	螺钉	SCREW	1
33	10027300	压脚提升导轨连杆	INTERMEDIATE PRESSURE LINK B	1
34	10012830	垫圈 6.2×10.3×1.2	WASHER 6.2×10.3×1.2	1
35	10027299	螺钉	SCREW	1
36	10027298	压脚上下连杆	INTERMEDIATE PRESSURE LINK C	1
37	10000482	铰链螺钉	HINGE SCREW	1
38	10000483	挡圈	THRUST COLLAR	1
39	10013590	螺钉 11/64-40 L=4	SCREW 11/64-40 L=4	2
40	10027290	压脚行程摆杆	INTERMEDIATE PRESSURE LINK D	1
41	10000481	螺钉	SCREW	1
42	10000520	沉头螺钉 11/64-40 L=4	SCREW 11/64-40 L=4	2
43	10027291	压脚调节复位板1	POSITIONING LINK 1	1
44	10027292	压脚调节复位板2	POSITIONING LINK 2	1
45	10027294	弹簧	SPRING	1
46	10005103	调压螺钉组件	PRESS ADJUSTING SCREW ASM	1
47	10000636	压脚调压导杆	PRESSER GUIDE BAR	1
48	10000522	压脚调压簧	PRESS ADJUSTING SPRING	1
49	10027305	压杆导架	PRESSER BAR GUIDE BRACKET	1
50	10027304	提升板	LINK CONNECTING PLATE	1
51	10000380	螺钉 11/64-40 L=18	SCREW 11/64-40 L=18	1
52	10000387	螺钉 9/64-40 L=13.5	SCREW 9/64-40 L=13.5	1
53	10027306	压杆轴套	PRESSER BUSHING	1
54	10010646	压杆	PRESSER BAR	1
55	10000489	压脚	INTERMEDIATE PRESSER	1
56	10000487	护指架	FINGER GUARD	1
57	10011680	垫圈 4.6×9.7×0.8	WASHER 4.6×9.7×0.8	1
58	10010650	螺钉 9/64-40 L=10.5	SCREW 9/64-40 L=10.5	1

# 5. PRESSER MECHANISM & PRESSER VARIABLE COMPONENTS (2)

## 中压脚部件(2)



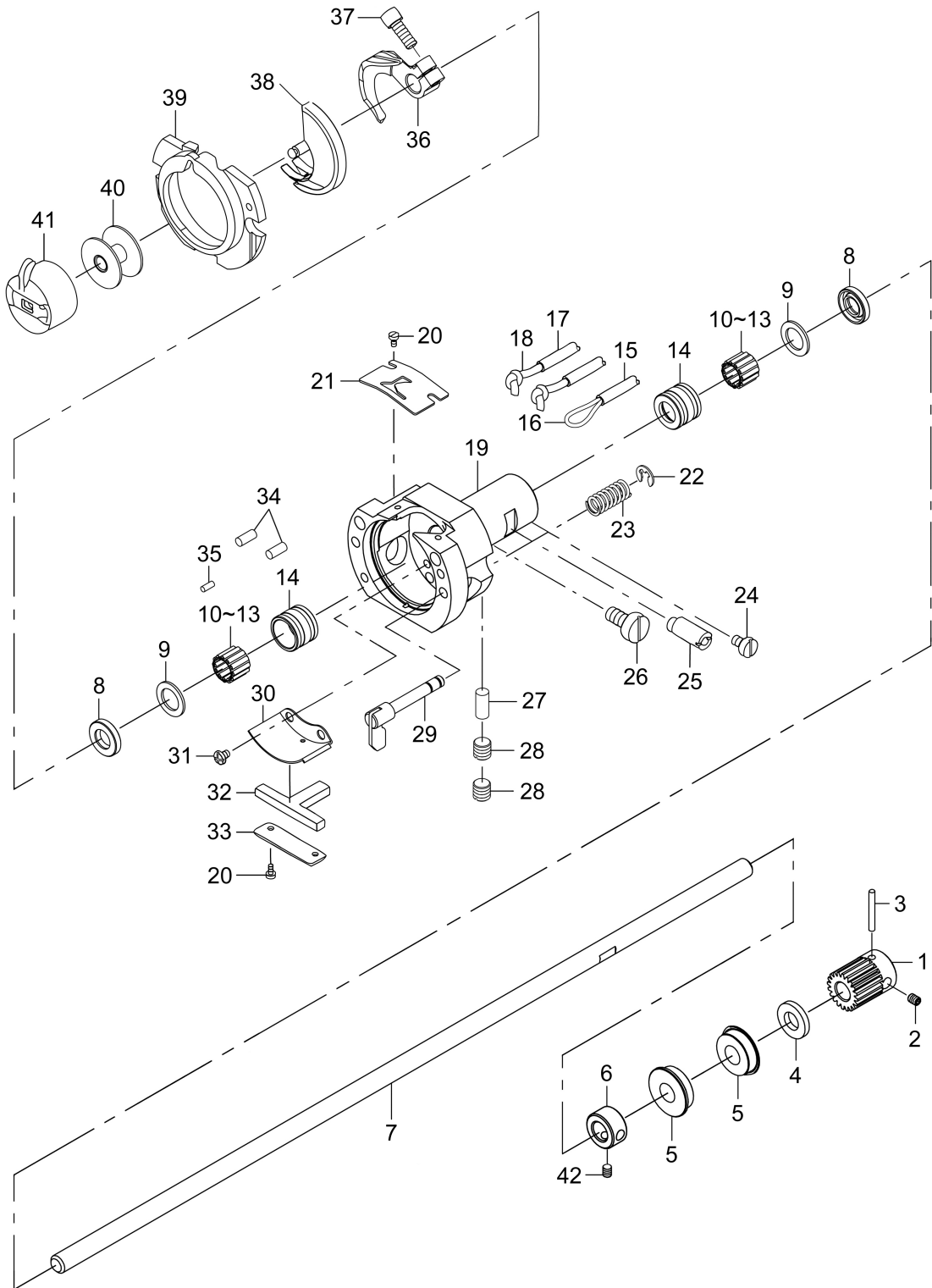
## 中压脚部件(2)

## PRESSER MECHANISM &amp; PRESSER VARIABLE COMPONENTS (2)

序号 No.	件号 Part No.	名称	DESCRIPTION	数量 Qty
1	10027402	步进电机	STEPPING MOTOR	1
2	10009103	螺钉 M4 L=16	SCREW M4 L=16	4
3	10027319	电机座	MOTOR BRACKET	1
4	10002028	螺钉 M6 L=20	SCREW M6 L=20	2
5	10012014	螺钉 M5 L=4	SCREW M5 L=5	12
6	10027317	联轴器	COUPLING	2
7	10027318	联轴器橡胶块	COUPLING RUBBER	1
8	10027314	轴套	BUSHING	1
9	10027295	油毡	OIL FELT PAD	1
10	10009868	螺钉 M4 L=8	SCREW M4 L=8	3
11	10027296	油毡	OIL FELT PAD	1
12	10027297	油毡架	OIL FELT PAD BRACKET	1
13	10027315	压脚提升连杆轴	PRESSER VARIABLE SHAFT	1
14	10027316	齿轮 A	GEAR A	1
15	10028805	齿轮 B	GEAR B	1
16	10027320	挡圈	THRUST COLLAR	2
17	10027334	电机传感片组件	SENSOR SLIT ASM	1
18	10007147	单向推力球轴承	BEARING	1
19	10000212	垫圈 8.5	WASHER 8.5	1
20	10027313	轴套	BUSHING	2
21	10027312	偏心轴	ECCENTRIC SHAFT	1
22	10011232	螺钉 M6 L=6	SCREW M6 L=6	5
23	10027310	压脚提升连杆	PRESSER VARIABLE LINK	1
24	10027311	螺钉 M6	SCREW M6	1
25	10030834	螺钉 M6	SCREW M6	1
26	10010193	螺钉 M4	SCREW M4	1
27	10027309	油毡	OIL FELT PAD	1
28	10003582	轴承 F608ZZ	BEARING F608ZZ	2
29	10026837	波形弹性垫圈 8	WAVED WASHER 8	1
30	10027321	压脚凸轮	LIFTING CAM	1
31	10011232	螺钉 M6 L=6	SCREW M6 L=6	2
32	10027322	压脚提升驱动轴	PRESSER LIFT SHAFT	1
33	10009654	E型挡圈 6	E-RING 6	1
34	10027323	拾压脚复位簧拉板	SPRING LOCATING PLATE	1
35	10000355	螺钉 M6 L=8	SCREW M6 L=8	1
36	10027326	弹簧	SPRING	1
37	10003657	凸轮从动轴承	CAM FOLLOWER	1
38	10027325	压脚驱动臂	LIFTING LINK	1
39	10027324	轴套	BUSHING	1
40	10000434	垫圈 11.2×16.3×1	WASHER 11.2×16.3×1	1
41	10027364	定位轴	LOCATING SHAFT	1
42	10001239	组合螺钉 M4 L=6	SCREW M4 L=6	2
43	10027335	中压脚传感器安装板	SENSOR INSTALLING BASE	1
44	10032404	传感器	SENSOR	1
45	10000984	组合螺钉 M3 L=8	SCREW M3 L=8	1
46	10027328	垫圈	WASHER	1
47	10007241	推力球轴承挡圈 8.3×16×1	WASHER 8.3×16×1	2

# 6. SHUTTLE DRIVER SHAFT COMPONENTS

下轴部件





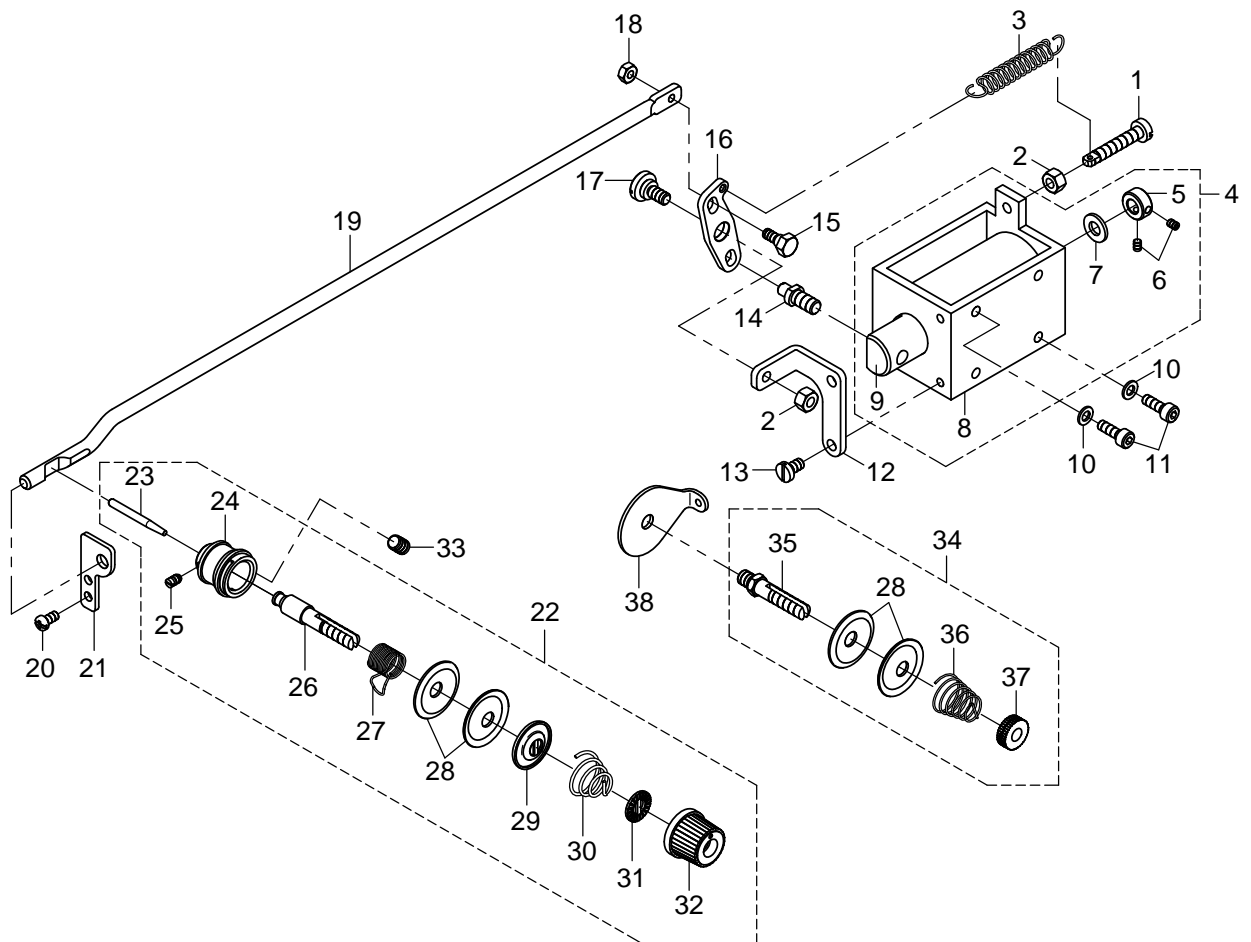
## 下轴部件

## SHUTTLE DRIVER SHAFT COMPONENTS

序号 No.	件号 Part No.	名称	DESCRIPTION	数量 Qty
1	10027339	下轴齿轮	SHUTTLE_DRIVER_SHAFT_GEAR	1
2	10001430	螺钉 M6 L=4	SCREW M6 L=4	1
3	10007893	销	PIN	1
4	10010804	垫圈 8.2×16×2.5	WASHER 8.2×16×2.5	1
5	10009776	轴承 F698ZZ	BEARING F698ZZ	2
6	10004600	挡圈	THRUST COLLAR	1
7	10027340	下轴	SHUTTLE_DRIVER_SHAFT	1
8	10014297	油封	SHUTTLE_OIL_SEAL	2
9	10014295	挡圈	SHUTTLE_BEARING_RING	2
10	10023516	滚针轴承	NEEDLE BEARING	2
11	10023517	滚针轴承	NEEDLE BEARING	2
12	10023518	滚针轴承	NEEDLE BEARING	2
13	10023519	滚针轴承	NEEDLE BEARING	2
14	10008576	梭床衬套	BEARING_BUSH	2
15	10007800	回油管	TUBE	600
16	10008103	油线	OIL WICK	750
17	10007800	供油管	TUBE	500×2
18	10008103	油线	OIL WICK	400×2
19	10014248	梭床	SHUTTLE	1
20	10010744	螺钉 3/32-56 L=3.5	SCREW 3/32-56 L=3.5	4
21	10004596	梭床簧	SHUTTLE UPPER SRRING	1
22	10009669	E型挡圈 3.5	E-RING 3.5	2
23	10004495	弹簧	SPRING	2
24	10011425	螺钉 11/64-40 L=4.3	SCREW 11/64-40 L=4.3	1
25	10011426	梭床调节销	SHUTTLE_RACE_ADJUSTING_SHAFT	1
26	10010817	螺钉 15/64-28 L=11.5	SCREW 15/64-28 L=11.5	1
27		塑料塞	PLASTIC PLUG	1
28	10011232	螺钉 M6 L=6	SCREW M6 L=6	2
29	10004261	梭床盖锁紧钩组件	INNER HOOK PRESSER ASM	2
30	10007926	油线夹板	SHUTTLE LUBRICATING PLATE	1
31	10010797	螺钉 9/64-40 L=4	SCREW 9/64-40 L=4	2
32	10010800	油毡	OIL FELT PAD	1
33	10010799	油毡压板	OIL FELT PAD PRESSER	1
34	10011427	油毡	OIL FELT PAD	2
35	10011077	油毡	OIL FELT PAD	1
36	10000573	摆梭托	SHUTTLE DRIVER	1
37	10004611	螺钉 3/16-28 L=12	SCREW 3/16-28 L=12	1
38	10003802	摆梭	SHUTTLE	1
39	10010738	梭床盖组件	SHUTTLE COVER ASM	1
40	10000649	梭心	BOBBIN	1
41	10003783	梭壳	BOBBIN CASE	1
42	10013590	螺钉 11/64-40 L=4	SCREW 11/64-40 L=4	2

# 7. TENSION RELEASE & THREAD TENSION COMPONENTS

松线部件



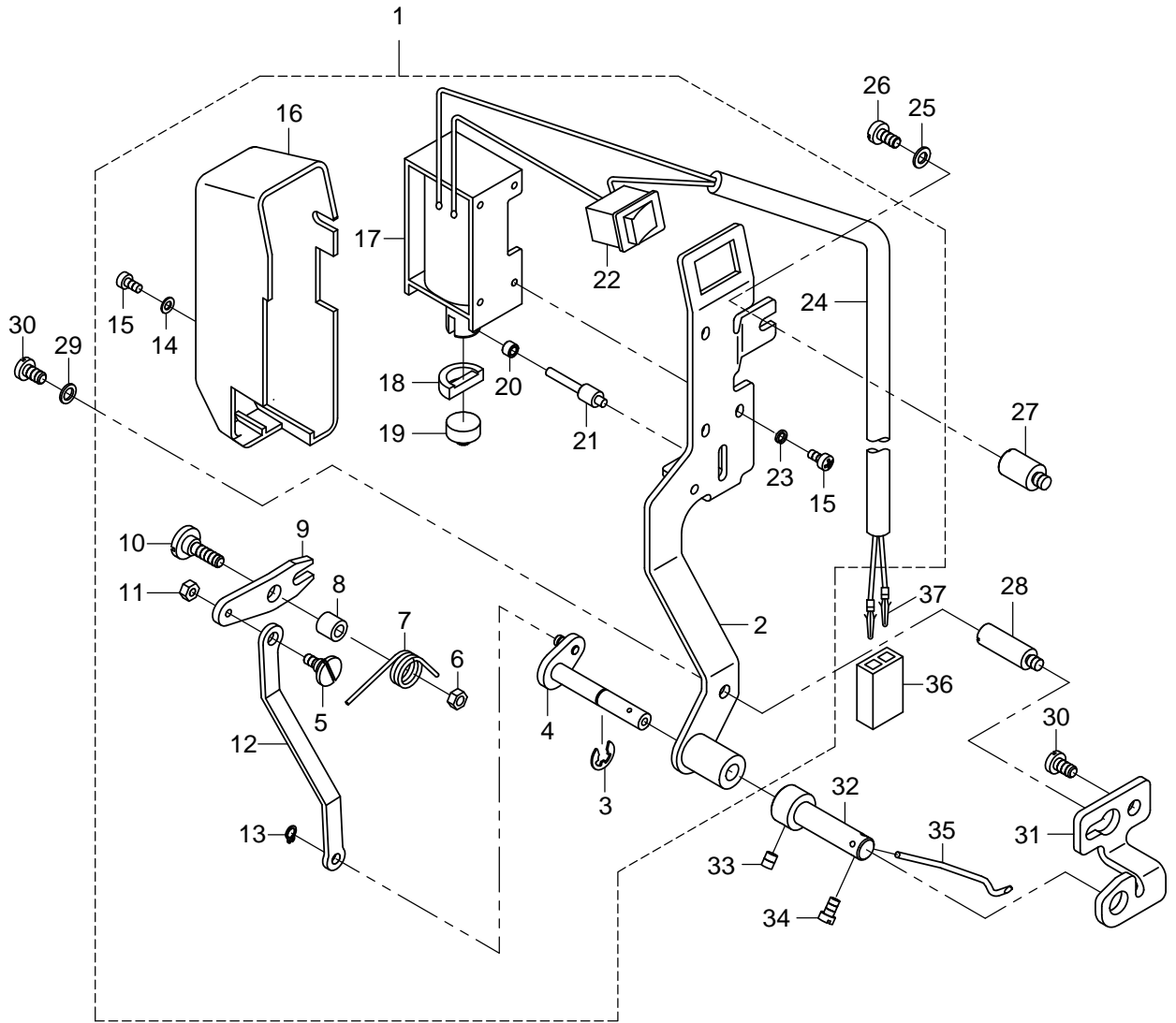
## 松线部件

## TENSION RELEASE &amp; THREAD TENSION COMPONENTS

序号 No.	件号 Part No.	名称	DESCRIPTION	数量 Qty
1	10014323	螺钉 M5 L=24	SCREW M5 L=24	1
2	10000353	螺母 M5	NUT M5	2
3	10014356	弹簧	SPRING	1
4	10027357	松线电磁铁组件	SOLENOID ASM	1
5	10008025	挡圈	THRUST COLLAR	(1)
6	10002853	螺钉 M3 L=4	SCREW M3 L=4	(2)
7	10008028	垫圈 12.3×18.5×3	WASHER 12.3×18.5×3	(1)
8	10027358	松线电磁铁线圈	SOLENOID COIL	(1)
9	10008029	松线电磁铁芯轴	SOLENOID MANDREL	(1)
10	10011680	垫圈 4.6×9.7×0.8	WASHER 4.6×9.7×0.8	2
11	10000863	螺钉 M4 L=12	SCREW M4 L=12	2
12	10014319	松线曲柄架	TENSION RELEASE CRANK FRAME	1
13	10010668	螺钉 SM11/64"×40 L=7.8	SCREW SM11/64"×40 L=7.8	2
14	10028973	螺钉 M6	SCREW M6	1
15	10027381	螺钉 M4	SCREW M4	1
16	10014316	松线曲柄	TENSION RELEASE CRANK	1
17	10014317	螺钉 M5	SCREW M5	1
18	10009471	螺母 M4	NUT M4	1
19	10027355	松线杆	TENSION RELEASE BAR	1
20	10011143	螺钉 SM9/64"×40 L=7	SCREW SM9/64"×40 L=7	2
21	10027356	松线杆定位板	TENSION RELEASE PLATE	1
22	10027360	夹线器组件	THREAD_TENSION_2_ASM	1
23	10027359	松线钉	TENSION RELEASE PIN	(1)
24	10004631	夹线器座	THREAD_TENSION_POST_BASE	(1)
25	10004632	螺钉 SM9/64"×40	SCREW SM9/64"×40	(1)
26	10002407	夹线器总螺钉	SCREW	(1)
27	10004730	弹簧	SPRING	(1)
28	10004393	夹线板	THREAD_TENSION_DISK	(2)
29	10004625	松线板	THREAD_TENSION_DISK_PRESSER	(1)
30	10004626	弹簧	SPRING	(1)
31	10004633	夹线制动板	DISK_STOPPER	(1)
32	10004523	夹线螺母组件	THREAD TENSION NUT	(1)
33	10010678	螺钉 SM15/64"×28 L=8	SCREW SM15/64"×28 L=8	1
34	10011493	夹线组件	THREAD_TENSION_1_ASM	1
35	10004666	螺钉 SM15/64"×28	SCREW SM15/64"×28	(1)
36	10004669	弹簧	SPRING	(1)
37	10004664	螺母 SM1/4"×40	SCREW SM1/4"×40	(1)
38	10000541	夹线器过线器	THREAD GUIDE	1

# 8. WIPER MECHANISM COMPONENTS

拨线部件



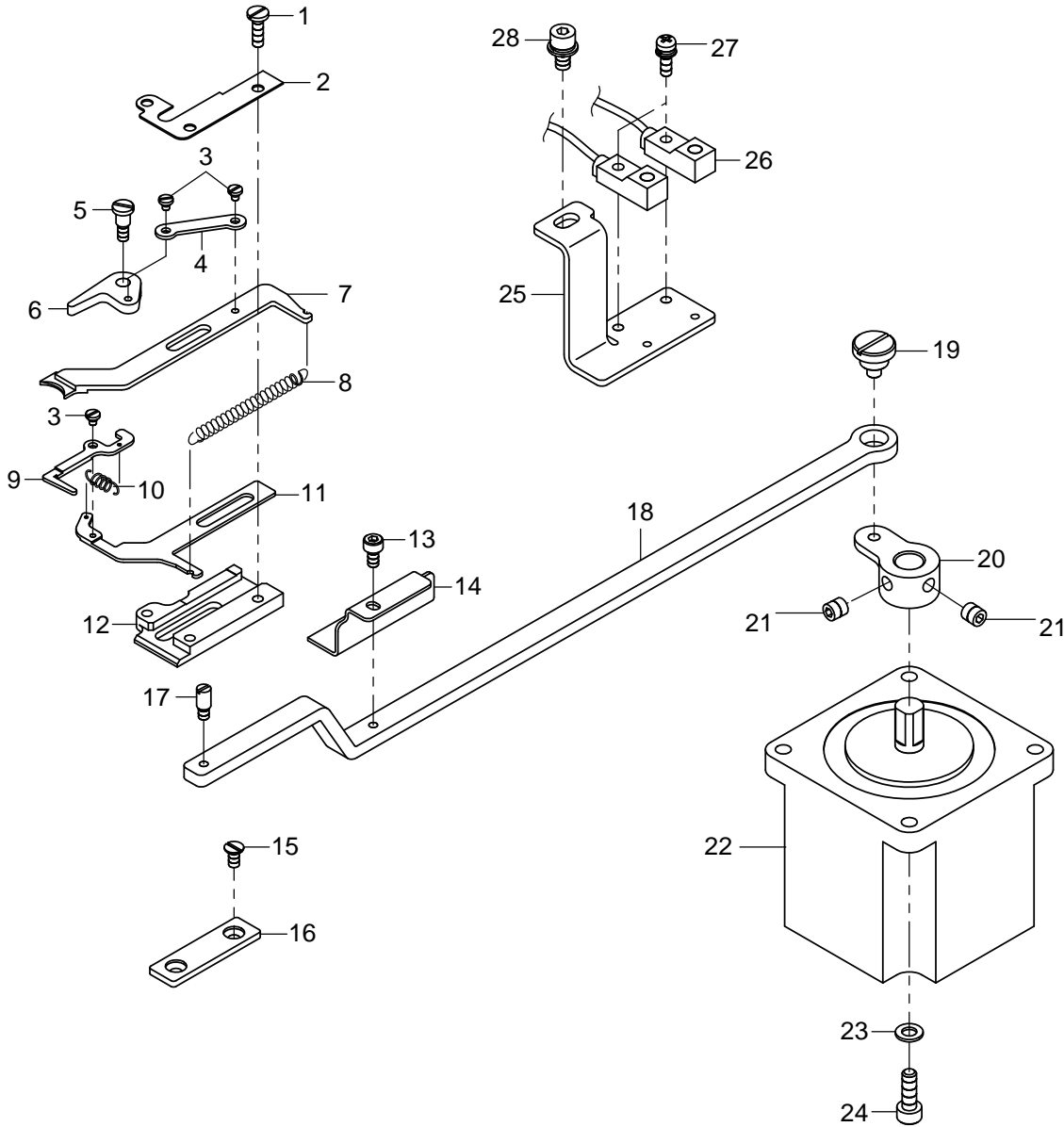
## 拨线部件

## WIPER MECHANISM COMPONENTS

序号 No.	件号 No.	Part	名称	DESCRIPTION	数量 Qty
1	10027354		拨线电磁铁组件	WIPER ASM.	1
2	10027353		拨线电磁铁支架组件	WIPER_BASE_ASM.	(1)
3	10010649		挡圈	E-RING	(1)
4	10005730		拨线驱动轴部件	WIPER_DRIVING_SHAFT_ASM	(1)
5	10005738		螺钉 SM9/64"×40	SCREW SM9/64"×40	(1)
6	10005735		螺母 SM11/64"×40	NUT SM11/64"×40	(1)
7	10005770		弹簧	SPRING	(1)
8	10005767		轴套	WIPER_HINGE_SCREW_COLLAR	(1)
9	10005728		拨线传动板	WIPER_LINK_B	(1)
10	10005726		螺钉 SM11/64"×40	SCREW SM11/64"×40	(1)
11	10005766		螺母 SM9/64"×40	NUT SM9/64"×40	(1)
12	10027351		拨线拉杆	WIPER_LINK_A	(1)
13	10024749		挡圈	RING	(1)
14	10003017		垫圈 3	WASHER 3	(1)
15	10003036		螺钉 M3 L=6	SCREW M3 L=6	(4)
16	10005724		拨线器罩	WIPER COVER	(1)
17	10005736		拨线电磁铁	WIPER_SOLENOID	(1)
18	10005739		铁芯橡皮垫	WIPER RUBBER A	(1)
19	10012488		铁芯复位垫	WIPER RUBBER B	(1)
20	10005769		传动销滚柱	WIPER LINK COLLAR	(1)
21	10005719		销	WIPER_SOLENOID_SHAFT	(1)
22	10005731		拨线器开关	SWITCH	(1)
23	10003082		弹簧垫圈 3	WASHER 3	(3)
24	10005732		拨线器电线	ELECTRIC WIRE	(1)
25	10011680		垫圈 4.6×9.7×0.8	WASHER 4.6×9.7×0.8	1
26	10009868		螺钉 M4 L=8	SCREW M4 L=8	1
27	10027350		支架螺钉	SCREW	1
28	10000017		滑臂安装板螺柱	SCREW	1
29	10001036		垫圈	WASHER 4.7	1
30	10010668		螺钉 SM11/64"×40 L=7.8	SCREW SM11/64"×40 L=7.8	3
31	10000013		滑臂安装板	WIPER_SHAFT_SUPPORT_BRACKET	1
32	10000014		挑线杆滑臂	WIPER_SHAFT_CAP	1
33	10000563		螺钉 M4 L=5	SCREW M4 L=5	1
34	10010071		螺钉 SM9/64"×40 L=6	SCREW SM9/64"×40 L=6	1
35	10000015		拨线杆	WIPER	1
36	10002454		插接件公端2芯	2-POLE NYLON PLUG	1
37	10002459		芯针孔端	PIN CONTACT	2

9. THREAD CLAMP COMPONENTS

夹线部件



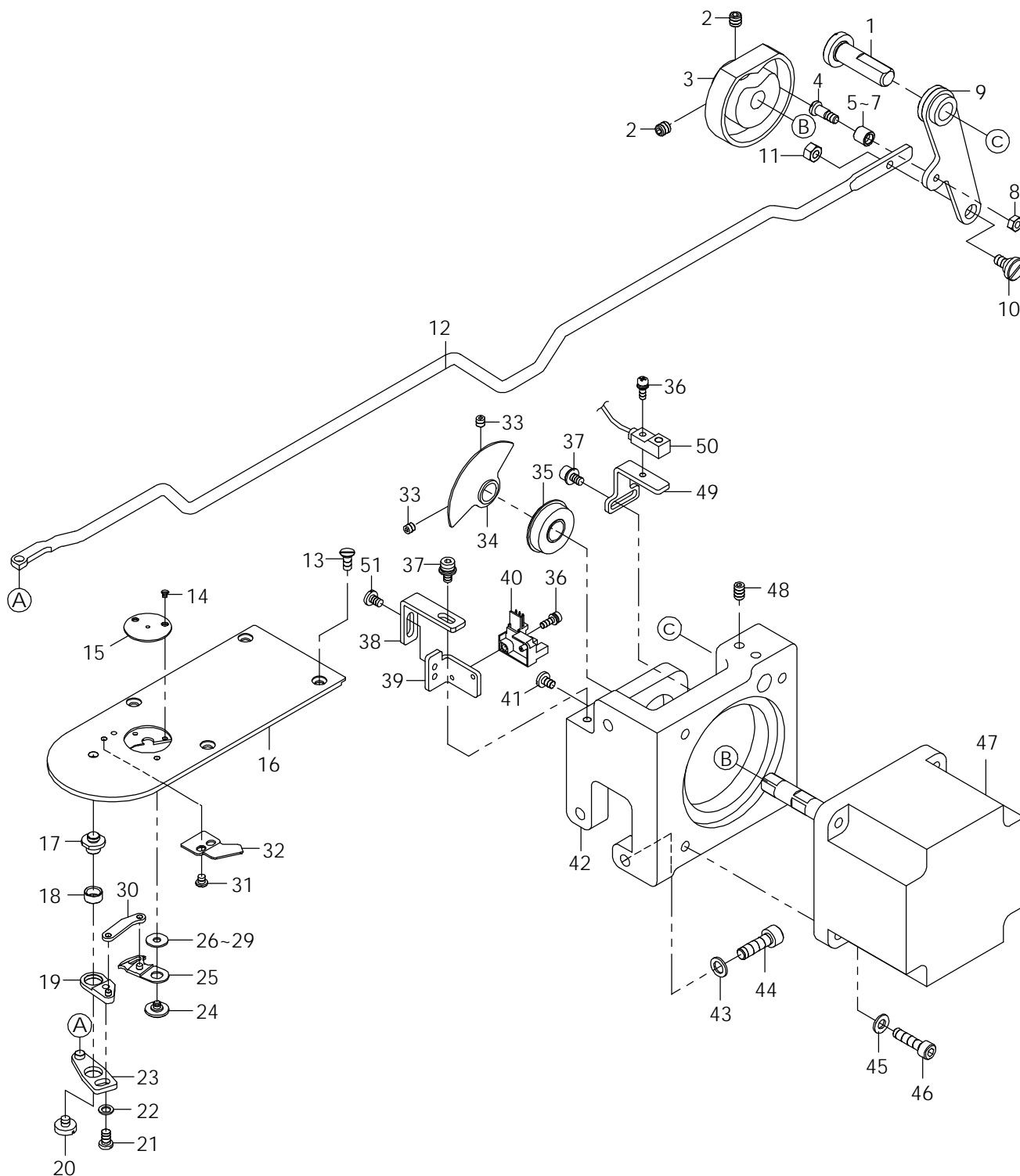
## 夹线部件

## THREAD CLAMP COMPONENTS

序号 No.	件号 Part No.	名称	DESCRIPTION	数量 Qty
1	10027421	螺钉 M3 L=8.8	SCREW M3 L=8.8	3
2	10027411	夹线盖板	TC COVER	1
3	10027420	螺钉	SCREW	3
4	10027414	连杆	CONNECTING_PLATE	1
5	10027413	定位螺钉	SCREW	1
6	10027412	松线臂	THREAD RELEASE ARM	1
7	10027417	夹线滑板	CLAMP_PLATE	1
8	10027419	拉簧	SPRING	1
9	10027416	松线叉	OPEN_PLATE	1
10	10027418	松线拉簧	SPRING	1
11	10027415	松线滑板	TC_SUPPORT_PLATE	1
12	10027410	夹线底座	TC_BASE	1
13	10001513	螺钉 M3 L=6	SCREW M3 L=6	1
14	10027422	传感器检测板	SENSOR_SLIT	1
15	10009667	螺钉 M3 L=6	SCREW M3 L=6	2
16	10027424	垫板	SUPPORT_PLATE	1
17	10027409	传动销钉	DRIVING_PIN	1
18	10027408	夹线拉杆	TC_CONNECTING_LINK	1
19	10014312	螺钉	SCREW	1
20	10014308	夹持装置电机接头	TC_DRIVING_ARM	1
21	10012162	螺钉 M5 L=5	SCREW M5 L=5	2
22	10024986	夹线电机	STEPPING MOTOR	1
23	10011680	垫圈 4.6×9.7×0.8	WASHER 4.6×9.7×0.8	4
24	10000863	螺钉 M4 L=12	SCREW M4 L=12	4
25	10027423	传感器安装板	SENSOR_INSTALLING_PLATE	1
26	10000977	传感器	SENSOR	2
27	10000984	组合螺钉 M3 L=8	SCREW M3 L=8	2
28	10001239	组合螺钉 M4 L=6	SCREW M4 L=6	1

# 10. THREAD TRIMMER MECHANISM COMPONENTS

剪线部件





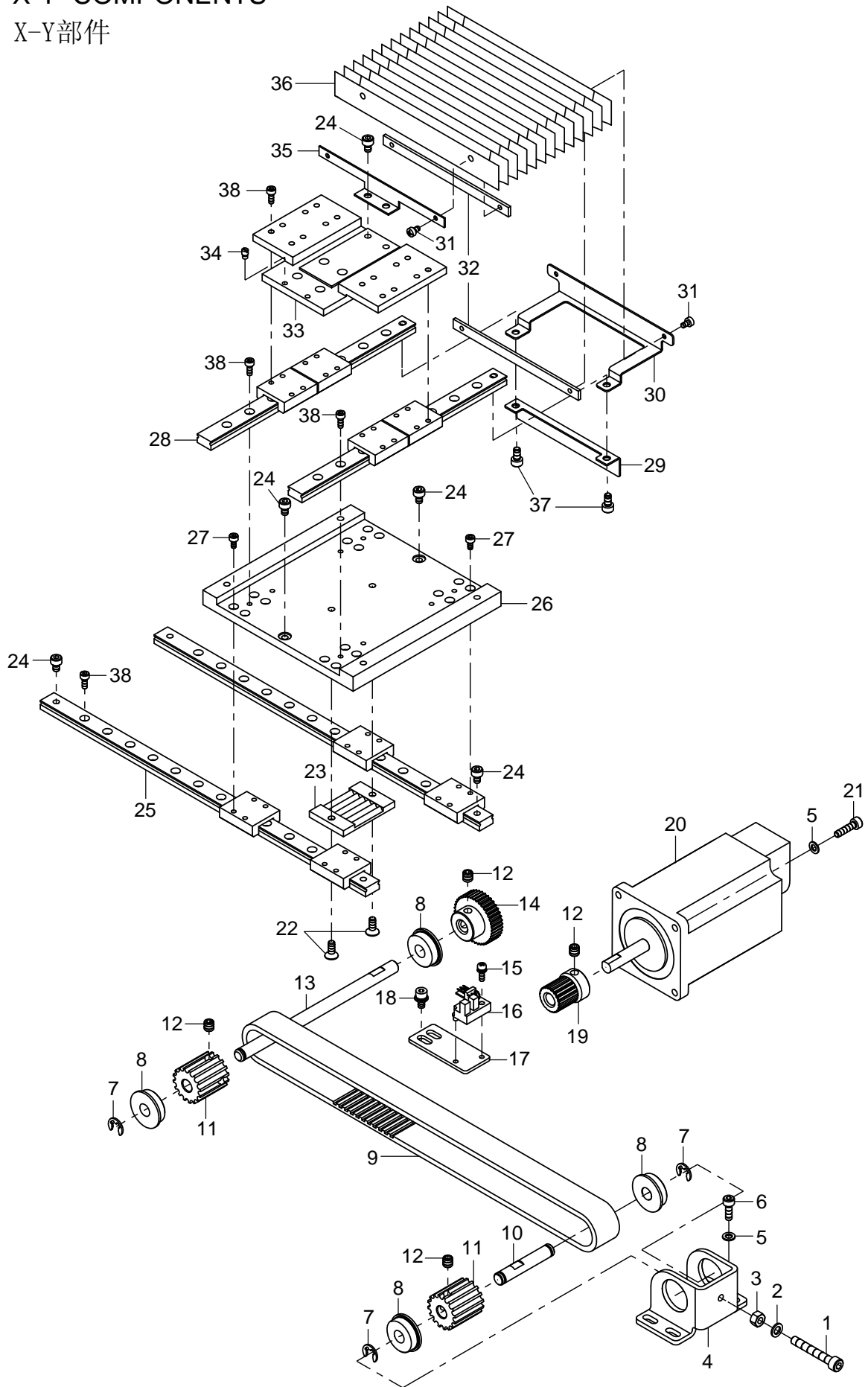
## 剪线部件

## THREAD TRIMMER MECHANISM COMPONENTS

序号 No.	件号 Part No.	名称	DESCRIPTION	数量 Qty
1	10027364	销	THREAD_TRIMMER_SHAFT	1
2	10003151	螺钉 M6 L=6	SCREW M6 L=6	2
3	10014347	剪线凸轮	THREAD_TRIMMER_CAM	1
4	10014342	螺钉 SM11/64"×40	SCREW SM11/64"×40	1
5	10028245	滚珠	NEEDLE CAM ROLLER	1
6	10028246	滚珠	NEEDLE CAM ROLLER	(1)
7	10028247	滚珠	NEEDLE CAM ROLLER	(1)
8	10014354	螺母 SM11/64"×40	NUT SM11/64"×40	1
9	10027371	剪线曲柄组件	THREAD_TRIMMER_LINK_ASM	1
10	10027367	螺钉 M5	SCREW M5	1
11	10000353	螺母 M5	NUT M5	1
12	10027362	拉杆	CONNECTING_BAR	1
13	10009195	螺钉 M4 L=7.8	SCREW M4 L=7.8	4
14	10011509	螺钉 SM3/32"×56 L=1.8	SCREW SM3/32"×56 L=1.8	2
15	10000750	小针板	NEEDLE HOLE GUIDE	1
16	10027365	针板	NEEDLE_PLATE	1
17	10011455	螺钉 SM1/4"×40	SCREW SM1/4"×40	1
18	10011502	动刀杆销衬套	THREAD CUTTING LEVER RING	1
19	10006768	动刀曲柄分组件	THREAD CUTTER LEVER A ASM	1
20	10011503	螺钉 SM11/64"×40 L=3	SCREW SM11/64"×40 L=3	1
21	10009906	螺钉 SM11/64"×40 L=7	SCREW SM11/64"×40 L=7	1
22	10011506	垫圈 4.7×7.5×0.8	WASHER 4.7×7.5×0.8	1
23	10010737	动刀传动杆分组件	THREAD CUTTER LEVER B ASM	1
24	10011500	螺钉 SM9/64"×40	SCREW SM9/64"×40	1
25	10011694	动刀分组件	MOVING KNIFE COMPL	1
26	10025586	调整垫圈A	MOVING KNIFE WASHER A	1
27	10025587	调整垫圈B	MOVING KNIFE WASHER B	(1)
28	10025588	调整垫圈C	MOVING KNIFE WASHER C	(1)
29	10025589	调整垫圈D	MOVING KNIFE WASHER D	(1)
30	10025590	动刀连杆	MOVING KNIFE LINK	1
31	10011499	螺钉 SM9/64"×40 L=3.5	SCREW SM9/64"×40 L=3.5	2
32	10000718	定刀	COUNTER KNIFE	1
33	10013590	螺钉 SM11/64"×40 L=4	SCREW SM11/64"×40 L=4	2
34	10014293	剪线传感片组件	SENSOR_SLIT_ASM	1
35	10003601	轴承	BEARING	1
36	10000984	组合螺钉 M3 L=8	SCREW M3 L=8	2
37	10001239	组合螺钉 M4 L=6	SCREW M4 L=6	3
38	10027363	剪线传感器安装板A	SENSOR_INSTALLING_BASE_A	1
39	10030723	剪线传感器安装板B	SENSOR_INSTALLING_BASE_B	1
40	10032404	传感器	PHOTO SENSOR	1
41	10014441	螺钉 M4 L=6	SCREW M4 L=6	1
42	10027361	剪线电机座	MOTOR_BASE	1
43	10000109	垫圈 6.6	WASHER 6.6	3
44	10002028	螺钉 M6 L=20	SCREW M6 L=20	3
45	10011440	垫圈 5	WASHER 5	4
46	10001943	螺钉 M5 L=20	SCREW M5 L=20	4
47	10027401	电机	STEPPING MOTOR	1
48	10004949	螺钉 M5 L=8	SCREW M5 L=8	2
49	10030724	Y向传感器安装板	SENSOR_INSTALLING_BASE,Y	1
50	10000977	传感器	SENSOR	1
51	10014441	螺钉 M4 L=6	SCREW M4 L=6	1

# 11. X-Y COMPONENTS

X-Y部件



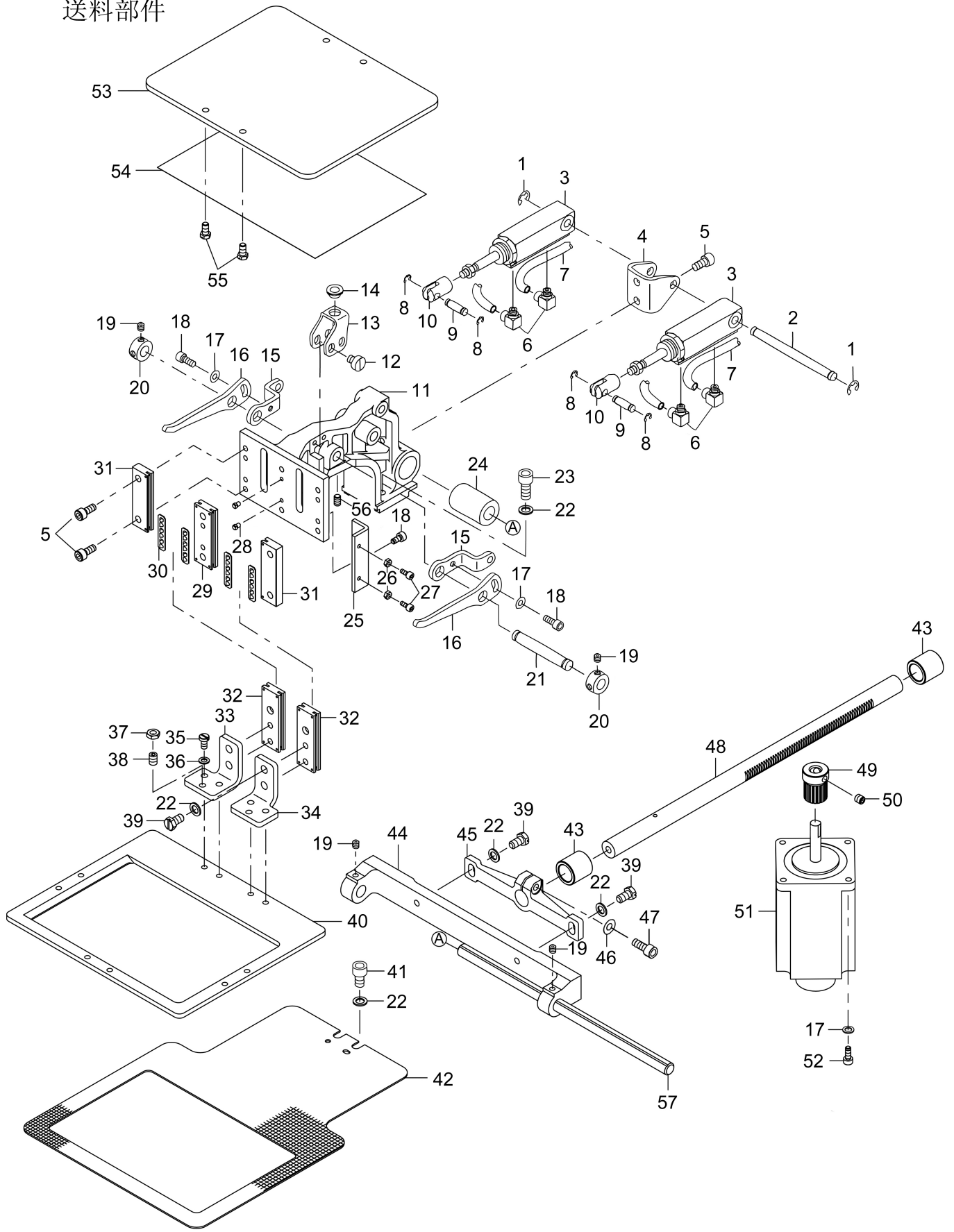
## X-Y部件

## X-Y COMPONENTS

序号 No.	件号 Part No.	名称	DESCRIPTION	数量 Qty
1	10003100	螺钉 M5 L=35	SCREW M5 L=35	1
2	10009469	垫圈 5	WASHER 5	1
3	10000353	螺母 M5	NUT M5	1
4	10000548	X向带轮座	X_DRIVEN_BRACKET	1
5	10011680	垫圈 4.6×9.7×0.8	WASHER 4.6x9.7x0.8	8
6	10000863	螺钉 M4 L=12	SCREW M4 L=12	4
7	10009654	E型挡圈 6	E-RING 6	3
8	10003582	轴承 F608ZZ	BEARING F608ZZ	4
9	10027345	X向同步带	X_TIMING_BELT	1
10	10027380	X向从动轴	SPRING SHAFT	1
11	10000562	X向带轮	DRIVEN SPROCKET	2
12	10011232	螺钉 M6 L=6	SCREW M6 L=6	8
13	10027344	X向驱动轴	X_DRIVE_SHAFT	1
14	10000551	X向传动直齿轮	X_DRIVEN_GEAR	1
15	10000984	组合螺钉 M3 L=8	SCREW M3 L=8	1
16	10032404	X向传感器	PHOTO SENSOR	1
17	10000751	X向传感器安装板	X_SENSOR_INSTALLING_PLATE	1
18	10001239	组合螺钉 M4 L=6	SCREW M4 L=6	2
19	10000175	X向电机直齿轮	X_DRIVE_GEAR	1
20	10031714	X向步进电机	STEPPING MOTOR	1
21	10009103	螺钉 M4 L=16	SCREW M4 L=16	4
22	10011049	螺钉 M4 L=8	SCREW M4 L=8	2
23	10027342	皮带压板	BELT RECEIVER	1
24	10001750	螺钉 M4 L=6	SCREW M4 L=6	8
25	10027348	X向导轨	X_LINEAR_GUIDEWAY	2
26	10027341	X向导轨轴承座	X_FEED_BASE	1
27	10001513	螺钉 M3 L=6	SCREW M3 L=6	16
28	10027349	Y向导轨	Y_LINEAR_GUIDEWAY	2
29	10027346	X向检测板	X_SENSOR_SLIT	1
30	10027266	防尘罩安装板	FEED_COVER_STAY A	1
31	10009457	螺钉 M3 L=5	SCREW M3 L=5	4
32	10027267	防尘罩固定板	FEED_COVER_PLATE	2
33	10027343	送料架座	FEED_BRACKET_BASE	1
34	10000555	定位销	HINGE STUD	2
35	10027269	防尘罩挡板	FEED_COVER_STAY B	1
36	10027268	防尘罩	FEED_COVER	1
37	10003399	螺钉 M4 L=8	SCREW M4 L=8	2
38	10000909	螺钉 M3 L=8	SCREW M3 L=8	40

# 12. CLOTH FEED MECHANISM COMPONENTS (TYPE F)

送料部件



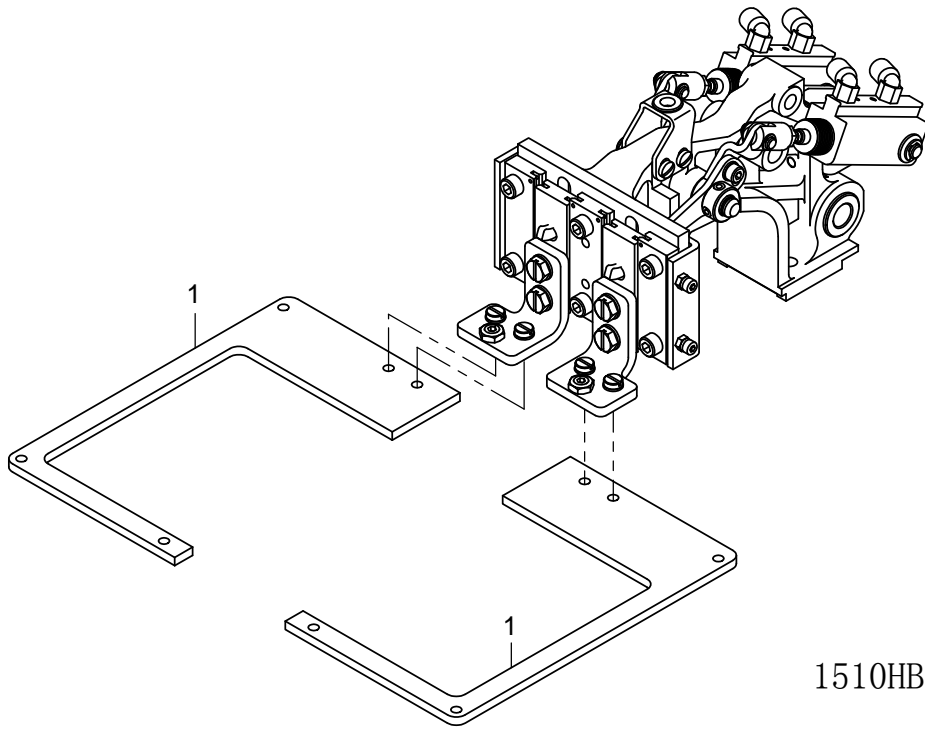
## 送料部件

## CLOTH FEED MECHANISM COMPONENTS (TYPE F)

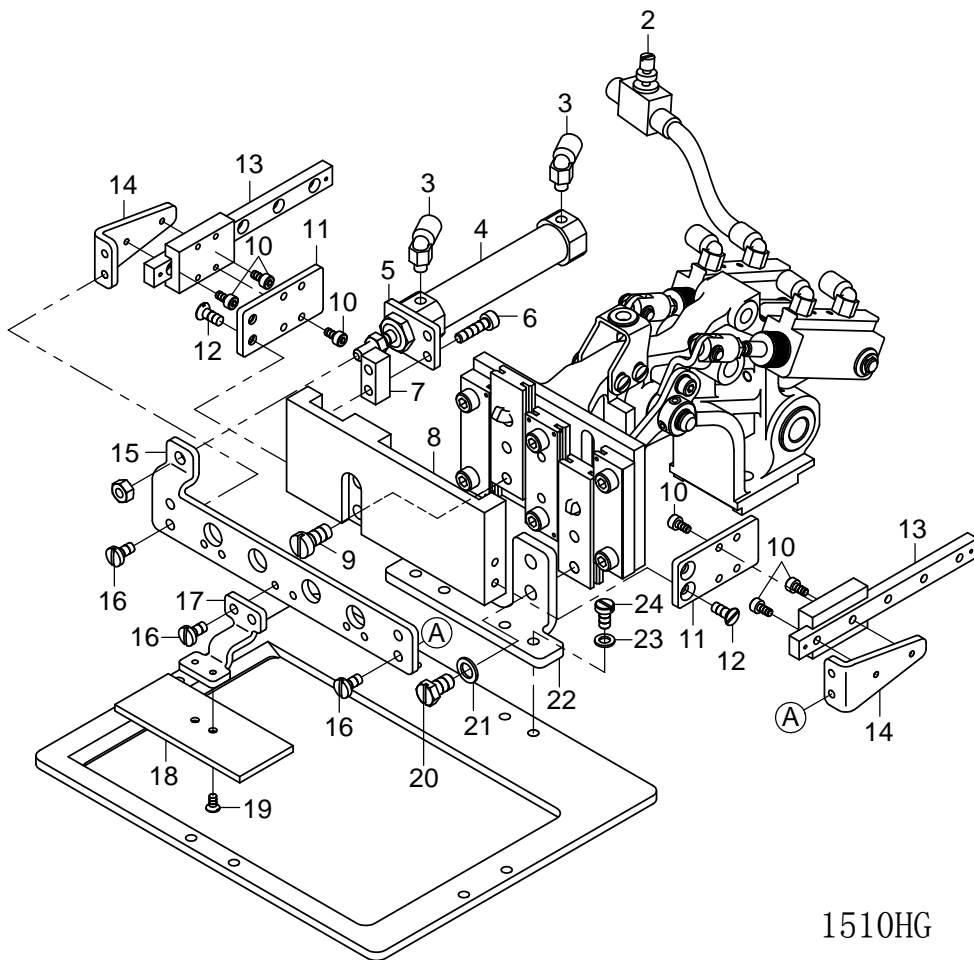
序号 No.	件号 Part No.	名称	DESCRIPTION	数量 Qty
1	10009653	E型挡圈 4	E-RING 4	2
2	10001262	气缸安装销	CYLINDER SHAFT	1
3	10001263	气缸组件	AIR CYLINDER ASM	2
4	10001255	气缸固定板	CYLINDER INSTALLING BASE	1
5	10000259	螺钉 M5 L=12	SCREW M5 L=12	8
6	10007681	气管接头	HOSE ELBOW	4
7	10008119	气管 $\phi 2.5 \times \phi 4$	WINDPIPE, BLACK	5000
8	10003248	E型挡圈 3	E-RING 3	4
9	10000413	短销	CYLINDER PIN	2
10	10001250	压料气缸接头	CYLINDER KNUCKLE	2
11	10024557	送料架	FEED BRACKET	1
12	10009906	螺钉 SM11/64"×40 L=7	SCREW SM11/64"×40 L=7	4
13	10024561	送料架固定板	SLIDER BASE	1
14	10001261	挡圈滑块	SLIDER	1
15	10024562	气缸驱动板	LINK PLATE A	2
16	10024563	驱动臂	LINK PLATE B	2
17	10011680	垫圈 4.6×9.7×0.8	WASHER 4.6×9.7×0.8	6
18	10003399	螺钉 M4 L=8	SCREW M4 L=8	6
19	10013590	螺钉 SM11/64"×40 L=4	SCREW SM11/64"×40 L=4	6
20	10007549	挡圈	THRUST COLLAR	2
21	10024560	轴承座轴	SHAFT BLOCK SHAFT	1
22	10000109	垫圈 6.6×10.7×1	WASHER 6.6×10.7×1	10
23	10009008	螺钉 M6 L=16	SCREW M6 L=16	2
24	10003647	直线轴承	SLIDE BEARING	1
25	10026328	导轨调整板	ADJUSTING PLATE	2
26	10003887	螺母 M3	NUT M3	4
27	10000909	螺钉 M3 L=8	SCREW M3 L=8	4
28	10000728	压脚框定位销	PIN	2
29	10024559	导轨2组件	WORK_CLAMP_FOOT_PLATE_2_ASM	1
30	10008055	保持架组件	BEARING	4
31	10024558	导轨1组件	WORK_CLAMP_FOOT_PLATE_1_ASM	2
32	10024556	导轨3	WORK_CLAMP_FOOT_SLIDE_3	3
33	10026332	左压脚	RECEIVER_PLATE_LEFT	1
34	10026333	右压脚	RECEIVER_PLATE_RIGHT	1
35	10000264	螺钉 SM11/64"×40 L=8.5	SCREW SM11/64"×40 L=8.5	4
36	10004670	垫圈 4.5×8×0.8	WASHER 4.5×8×0.8	4
37	10010725	螺母 SM15/64"×28	NUT SM15/64"×28	2
38	10010678	螺钉 SM15/64"×28 L=8	SCREW SM15/64"×28 L=8	2
39	10001072	螺钉 SM15/64"×28 L=11	SCREW SM15/64"×28 L=11	6
40	10027377	压脚框	FEEDING_FRAME	1
41	10005122	螺钉 M6 L=10	SCREW M6 L=10	2
42	10027376	送料板	LOWER PLATE	1
43	10027372	轴套	BUSHING	2
44	10027375	X向导向架	X_GUIDE_SHAFT_SUPPORT	1
45	10027374	Y轴导向连接板	Y_REMOVAL_SHAFT HOLDER	1
46	10011440	垫圈 5.1	WASHER 5.1	1
47	10001943	螺钉 M5 L=20	SCREW M5 L=20	1
48	10027373	Y向送料轴	Y_FEED_SHAFT	1
49	10000175	X向电机直齿轮	X DRIVE GEAR	1
50	10011232	螺钉 M6 L=6	SCREW M6 L=16	2
51	10027400	X向步进电机	STEPPING MOTOR	1
52	10009103	螺钉 M4 L=16	SCREW M4 L=16	4
53	10027378	压板	PRESSURE_PLATE	1
54	10027379	压板保护膜	PRESSURE_PLATE_SHEET	1
55	10001336	螺钉 SM3/16"×28 L=9	SCREW SM3/16"×28 L=9	4
56	10004949	螺钉 M5 L=8	SCREW M5 L=8	1
57	10030966	X向导向轴	X GUIDE SHAFT	1

### 13. CLOTH FEED MECHANISM COMPONENTS (TYPE B,C,G)

送料部件



1510HB、1510HC



1510HG

## 送料部件

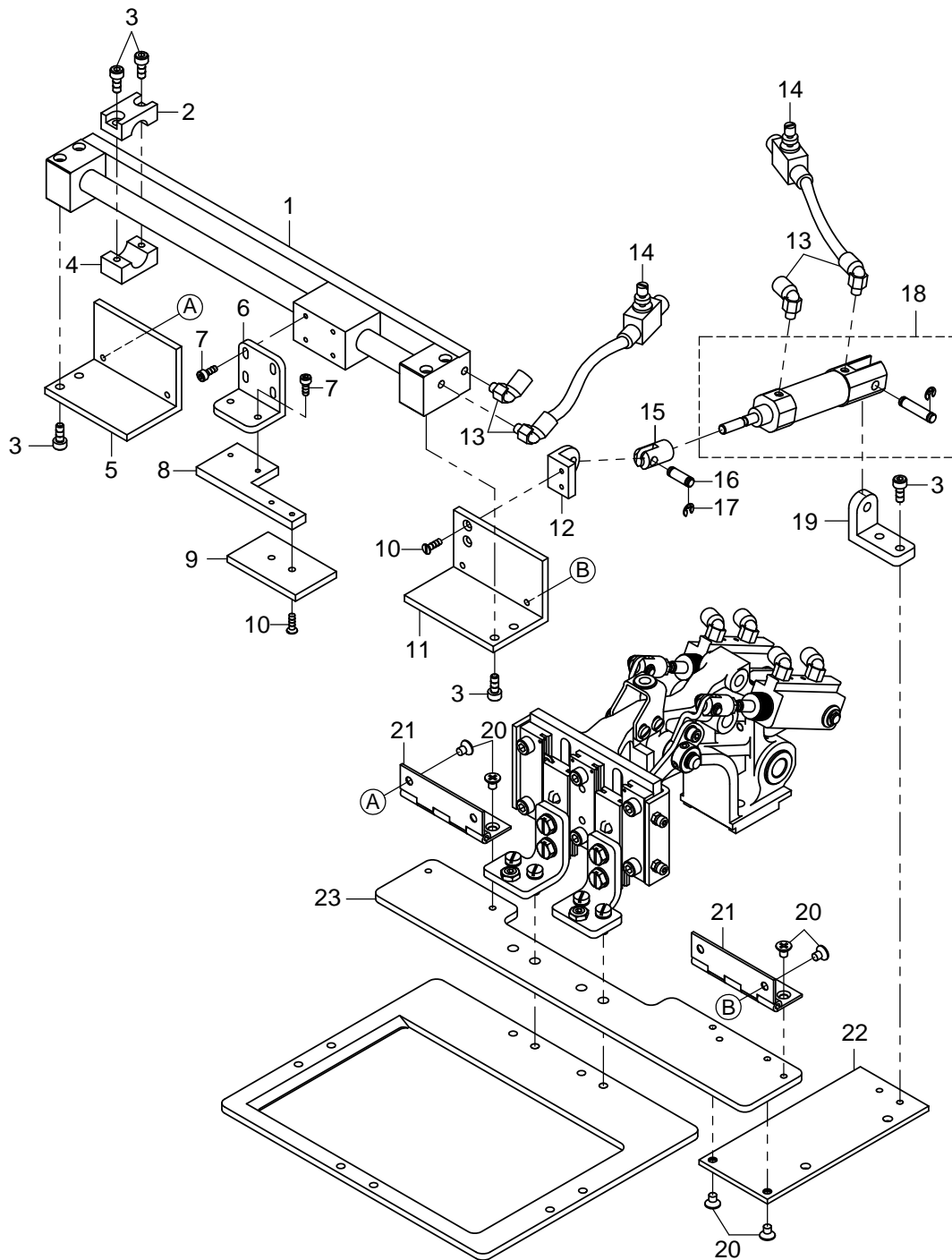
## CLOTH FEED MECHANISM COMPONENTS (TYPE B,C,G)

序号 No.	件号 Part No.	名称	DESCRIPTION	数量 Qty
1	10030876	分体压脚框	FEEDING_FRAME	2
2	10028299	调速阀	UNION STRAIGHT SPEED CONTROLLER	1
3	10007681	气管接头	HOSE ELBOW	2
4	10024764	气缸组件	AIR CYLINDER ASM	1
5	10029799	气缸安装板	AIR CYLINDER BASE	1
6	10009103	螺钉 M4 L=16	SCREW M4 L=16	2
7	10029801	垫板	SUPPORT PLATE	1
8	10029796	安装架	BASE BRACKET	1
9	10000215	螺钉 SM15/64"×28 L=12	SCREW SM15/64"x28 L=12	2
10	10001513	螺钉 M3 L=6	SCREW M3 L=6	12
11	10029798	导轨安装板2	GUIDE BASE 2	2
12	10009195	螺钉 M4 L=7.8	SCREW M4 L=7.8	4
13	10028956	直线导轨	LINEAR GUIDEWAY	2
14	10029797	导轨安装板1	GUIDE BASE 1	2
15	10029800	前挡板	FRONT PLATE	1
16	10009052	螺钉 M4 L=8	SCREW M4 L=8	6
17	10029794	小压脚	PRESS PLATE	1
18		模板 (根据花样制作)	TEMPLATE (made by patterns)	1
19	10009667	沉头螺钉 M3 L=6	SCREW M3 L=6	2
20	10001072	螺钉 SM15/64"×28 L=11	SCREW SM15/64"x28 L=11	2
21	10000109	垫圈 6.6×10.7×1	WASHER 6.6x10.7x1	2
22	10029795	大压脚	RECEIVER_PLATE	1
23	10004670	垫圈 4.5×8×0.8	WASHER 4.5x8x0.8	4
24	10000264	螺钉 SM11/64"×40 L=8.5	SCREW SM11/64"x40 L=8.5	4

\* 1 1510HB、HC专用 FOR TYPE B, C  
 \* 2~24 1510HG专用 FOR TYPE G

# 14. CLOTH FEED MECHANISM COMPONENTS (TYPE H)

送料部件



1510HH



## 送料部件

## CLOTH FEED MECHANISM COMPONENTS (TYPE H)

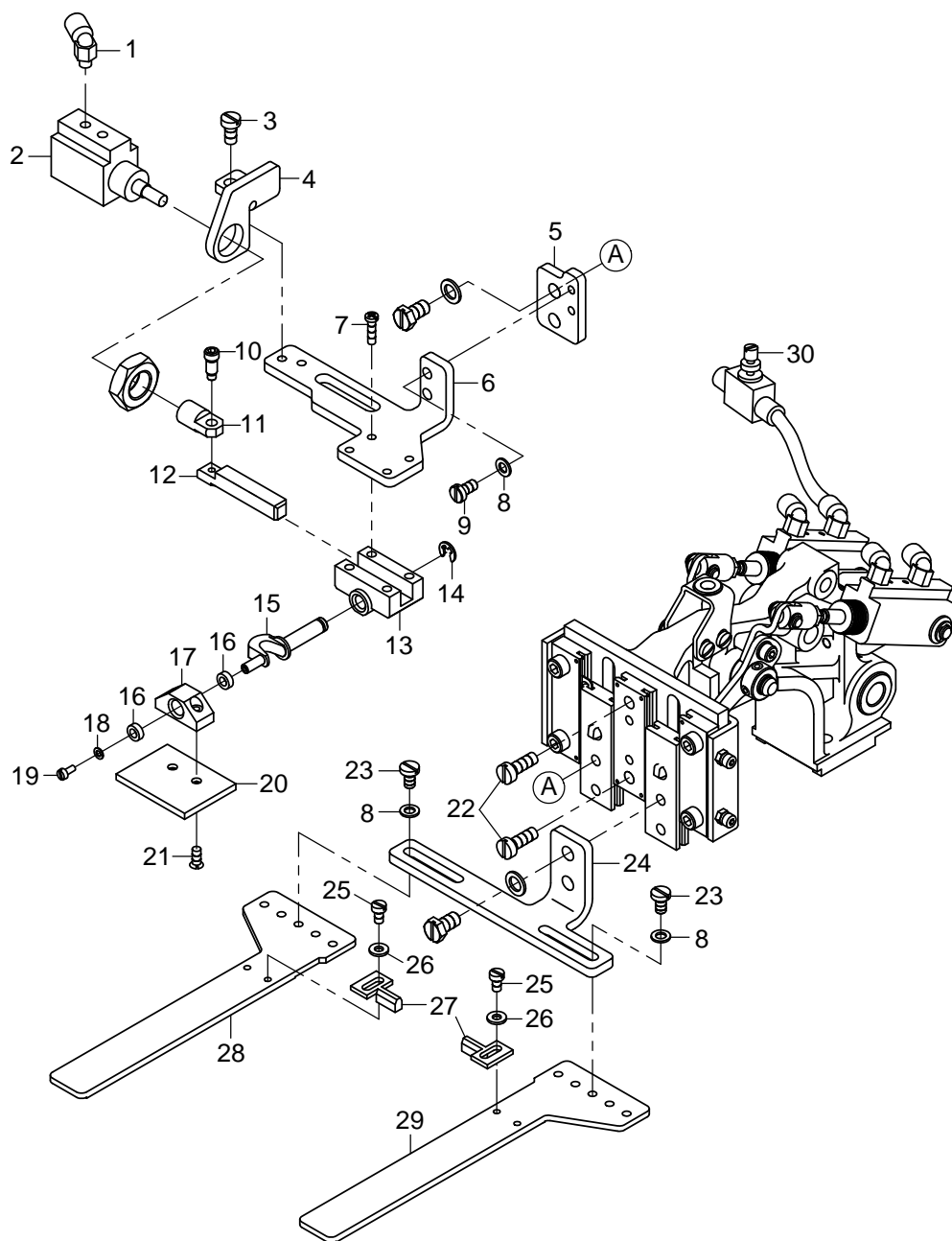
序号 No.	件号 Part No.	名称	DESCRIPTION	数量 Qty
1	10030855	气缸	AIR CYLINDER	1
2	10030009	定位块B	LOCATING BLOCK B	1
3	10000342	螺钉 M4 L=10	SCREW M4 L=10	8
4	10030008	定位块A	LOCATING BLOCK A	1
5	10030006	气缸连接座B	AIR CYLINDER BASE B	1
6	10030010	连接板A	LINK PLATE A	1
7	10000909	螺钉 M3 L=8	SCREW M3 L=8	10
8	10030013	连接板D	LINK PLATE D	1
9		模板 (根据花样制作)	TEMPLATE (made by patterns)	1
10	10005451	沉头螺钉 M3 L=10	SCREW M3 L=10	4
11	10030005	气缸连接座A	AIR CYLINDER BASE A	1
12	10030014	连接头	AIR CYLINDER LINK	1
13	10007681	气管接头	HOSE ELBOW	4
14	10028299	调速阀	UNION STRAIGHT SPEED CONTROLLER	2
15	10001250	压料气缸接头	CYLINDER KNUCKLE	1
16	10000413	短销	CYLINDER PIN	1
17	10003248	E型挡圈 3	E-RING 3	2
18	10027971	气缸组件	AIR CYLINDER ASM	1
19	10030007	气缸连接座C	AIR CYLINDER BASE C	1
20	10009666	沉头螺钉 M4 L=6	SCREW M4 L=6	10
21	10030965	蝶形铰链	BUTTERFLY GEMEL	2
22	10030012	连接板C	LINK PLATE C	1
23	10030011	连接板B	LINK PLATE B	1

\* 1~23 1510HH专用

FOR TYPE H

# 15. CLOTH FEED MECHANISM COMPONENTS (TYPE D)

送料部件



1510HD

## 送料部件

## CLOTH FEED MECHANISM COMPONENTS (TYPE D)

序号 No.	件号 Part No.	名称	DESCRIPTION	数量 Qty
1	10007681	气管接头	HOSE ELBOW	2
2	10001332	气缸组件	AIR CYLINDER ASM	1
3	10000591	螺钉 SM3/16"×28 L=9	SCREW SM3/16"×28 L=9	2
4	10001321	气缸固定架	AIR CYLINDER BASE	1
5	10026787	左压脚定位板	RECEIVER_POSITION_PLATE	1
6	10026786	左压脚	RECEIVER_PLATE_LEFT	1
7	10013666	螺钉 SM1/8"×44 L=12	SCREW SM1/8"×44 L=12	4
8	10004670	垫圈 4.5×8×0.8	WASHER 4.5×8×0.8	6
9	10000264	螺钉 SM11/64"×40 L=8.5	SCREW SM11/64"×40 L=8.5	2
10	10001330	螺钉 SM9/64"×40	SCREW SM9/64"×40	1
11	10001331	送料气缸接头	CYLINDER KNUCKLE	1
12	10001327	传动齿条	DRIVING RACK	1
13	10001323	转动轴座	GEARING_SHAFT_BASE	1
14	10009653	挡圈 4	E-RING 4	1
15	10001326	齿轮传动轴	GEARING_SHAFT	1
16	10026143	轴承	BEARING	2
17	10025851	压块组件	PRESS BLOCK	1
18	10003123	垫圈 2.5	WASHER 2.5	1
19	10014255	螺钉 SM3/32"×56 L=5.5	SCREW SM3/32"×56 L=5.5	1
20		模板 (根据花样制作)	TEMPLATE (made by patterns)	1
21	10001322	螺钉 SM9/64"×40 L=7	SCREW SM9/64"×40 L=7	2
22	10003058	螺钉 M5 L=14	SCREW M5 L=14	2
23	10010668	螺钉 SM11/64"×40 L=7.8	SCREW SM11/64"×40 L=7.8	4
24	10026788	右压脚	RECEIVER_PLATE_LIGHT	1
25	10010643	螺钉 SM9/64"×40 L=6	SCREW SM9/64"×40 L=6	2
26	10000051	垫圈 3.7	WASHER 3.7	2
27	10001329	挡块	COMPENSATING FOOT	2
28	10031079	左压料板	WORKING_FOOT_LEFT	1
29	10031080	右压料板	WORKING_FOOT_RIGHT	1
30	10028299	调速阀	UNION STRAIGHT SPEED CONTROLLER	1

\*

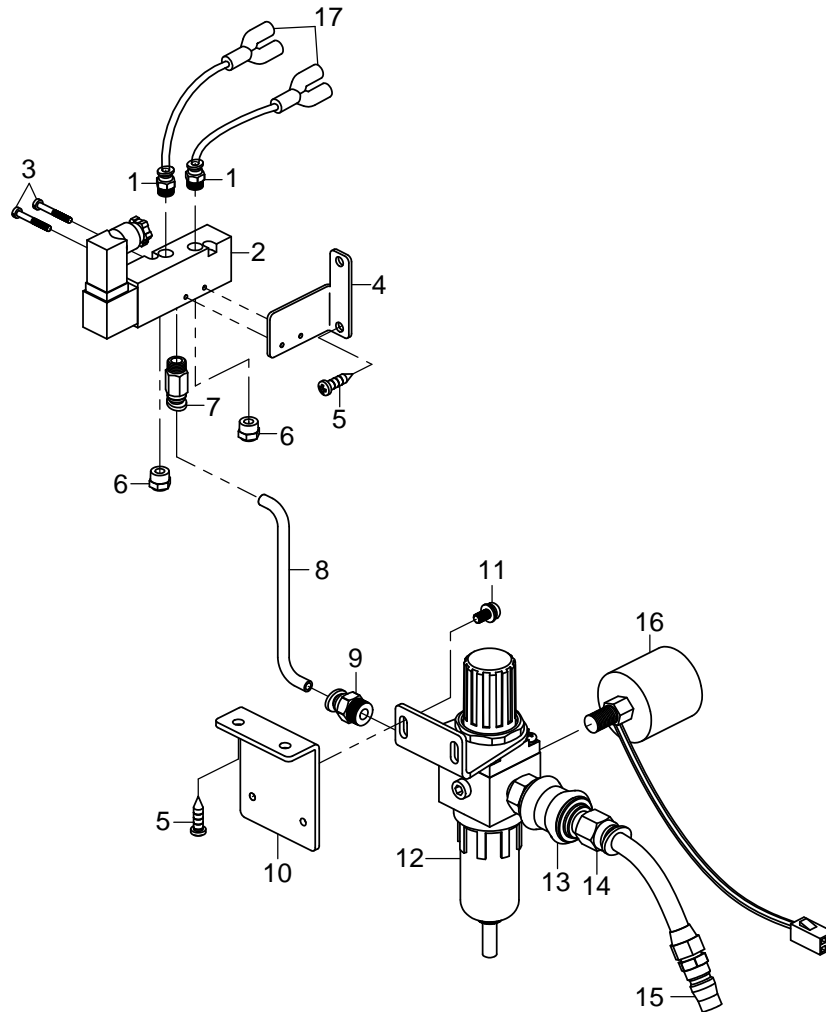
1~30

1510HD专用

FOR TYPE D

## 16. PNEUMATIC COMPONENTS (TYPE F,B)

气动部件



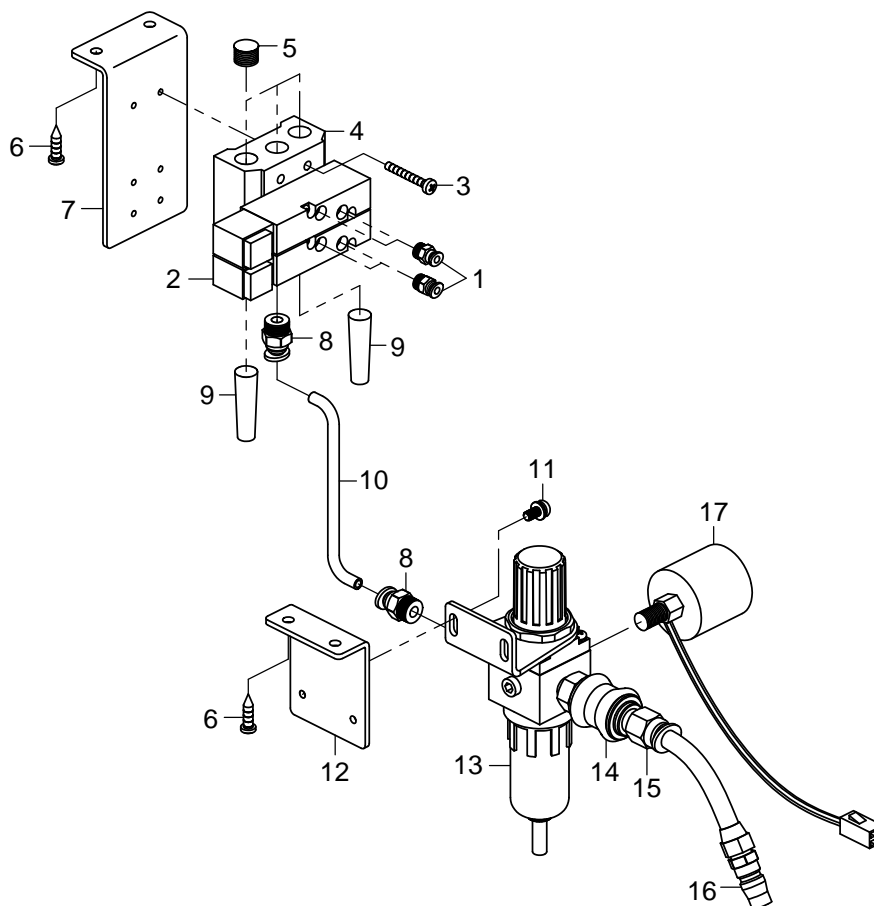
序号 No.	件号 Part No.	名称	DESCRIPTION	数量 Qty
1	10023253	快速接头 $\phi 4 \times R1/8$	HALF UNION $\phi 4 \times R1/8$	2
2	10007696	电磁阀	5 PORT SOLENOID VALVE	1
3	10002148	气阀安装螺钉 M3 L=25	SCREW M3 L=25	2
4	10007583	气阀安装板	SOLENOID_VALVE_FITTING_BASE	1
5	10026825	螺钉	SCREW	4
6	10001548	消声器	MUFFLER	2
7	10003724	快速接头 $\phi 6 \times R1/8$	HALF UNION $\phi 6 \times R1/8$	1
8	10008150	气管 $\phi 6 \times \phi 4$	TUBE	1
9	10003733	快速接头 $\phi 6 \times R1/4$	HALF UNION $\phi 6 \times R1/4$	1
10	10001107	固定板	FILTER_INSTALLING_PLATE	1
11	10003883	螺钉 M5 L=10	SCREW M5 L=10	2
12	10007604	过滤减压阀	FILTER REGULATOR	1
13	10007534	手滑阀	HAND SLIDE VALVE	1
14	10003458	快速接头 $\phi 10 \times R1/4$	HALF UNION $\phi 10 \times R1/4$	1
15	10024399	接头 $\phi 10 \times R1/4$	PLUG $\phi 10 \times R1/4$	1
16	10007620	带压力开关的压力表	AIR PRESSURE SWITCH	1
17	10007701	Y型快换接头	Y-QUICK COUPLING	2

\* 1~17 1510HF、HB专用

FOR TYPE F,B

## 17. PNEUMATIC COMPONENTS (TYPE C)

### 气动部件



序号 No.	件号 Part No.	名称	DESCRIPTION	数量 Qty
1	10023253	快速接头 $\phi 4 \times R1/8$	HALF UNION $\phi 4 \times R1/8$	4
2	10007696	电磁阀	5 PORT SOLENOID VALVE	2
3	10002180	螺钉 M4 L=30	SCREW M4 L=30	4
4	10003720	电磁阀底座	SOLENOID_VALVE_BASE	1
5	10001109	电磁阀座堵头	PLUG	3
6	10026825	螺钉	SCREW	4
7	10030860	电磁阀底座固定板	BASE_INSTALLING_PLATE	1
8	10003733	快速接头 $\phi 6 \times R1/4$	HALF UNION $\phi 6 \times R1/4$	2
9	10003742	消声器	MUFFLER	2
10	10008150	气管 $\phi 6 \times \phi 4$	TUBE	1
11	10003883	螺钉 M5 L=10	SCREW M5 L=10	2
12	10001107	固定板	FILTER_INSTALLING_PLATE	1
13	10007604	过滤减压阀	FILTER REGULATOR	1
14	10007534	手滑阀	HAND SLIDE VALVE	1
15	10003458	快速接头 $\phi 10 \times R1/4$	HALF UNION $\phi 10 \times R1/4$	1
16	10024399	接头 $\phi 10 \times R1/4$	PLUG $\phi 10 \times R1/4$	1
17	10007620	带压力开关的压力表	AIR PRESSURE SWITCH	1

\*

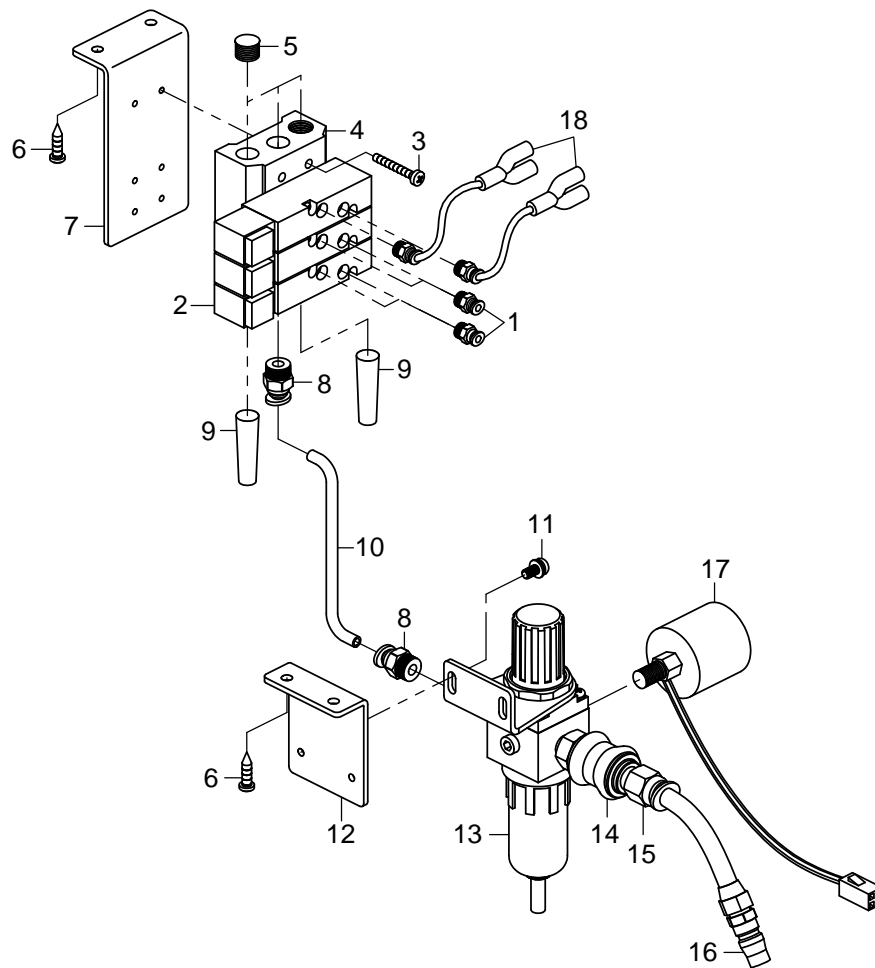
1~16

1510HC专用

FOR TYPE C

## 18. PNEUMATIC COMPONENTS (TYPE D,G,H)

### 气动部件



序号 No.	件号 Part No.	名称	DESCRIPTION	数量 Qty
1	10023253	快速接头 $\phi 4 \times R1/8$	HALF UNION $\phi 4 \times R1/8$	4
2	10007696	电磁阀	5 PORT SOLENOID VALVE	2
3	10002180	螺钉 M4 L=30	SCREW M4 L=30	4
4	10003720	电磁阀底座	SOLENOID_VALVE_BASE	1
5	10001109	电磁阀座堵头	PLUG	3
6	10026825	螺钉	SCREW	4
7	10030860	电磁阀底座固定板	BASE_INSTALLING_PLATE	1
8	10003733	快速接头 $\phi 6 \times R1/4$	HALF UNION $\phi 6 \times R1/4$	2
9	10003742	消声器	MUFFLER	2
10	10008150	气管 $\phi 6 \times \phi 4$	TUBE	1
11	10003883	螺钉 M5 L=10	SCREW M5 L=10	2
12	10001107	固定板	FILTER_INSTALLING_PLATE	1
13	10007604	过滤减压阀	FILTER REGULATOR	1
14	10007534	手滑阀	HAND SLIDE VALVE	1
15	10003458	快速接头 $\phi 10 \times R1/4$	HALF UNION $\phi 10 \times R1/4$	1
16	10024399	接头 $\phi 10 \times R1/4$	PLUG $\phi 10 \times R1/4$	1
17	10007620	带压力开关的压力表	AIR PRESSURE SWITCH	1
18	10007701	Y型快换接头	Y-QUICK COUPLING	2

\* 1~17 1510HD、HG专用

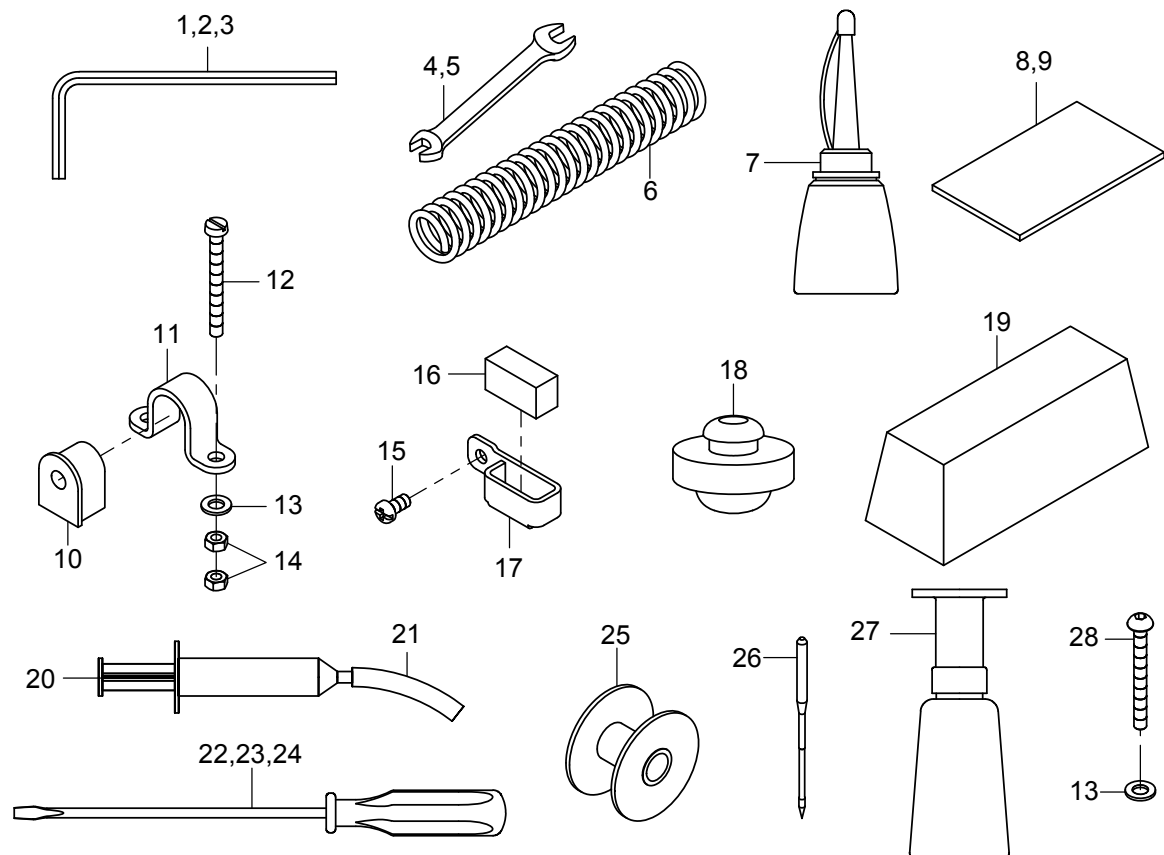
FOR TYPE D,G

\* 1~18 1510HH专用

FOR TYPE H

## 19. ACCESSORIES COMPONENTS

附件部件



序号 No.	件号 Part No.	名称	DESCRIPTION	数量 Qty
1	10009685	内六角扳手 3	HEXAGONAL WRENCH 3	1
2	10009687	内六角扳手 4	HEXAGONAL WRENCH 3	1
3	10009689	内六角扳手 5	HEXAGONAL WRENCH 3	1
4	10003369	呆扳手 8×10	WRENCH 8×10	1
5	10003368	呆扳手 9×11	WRENCH 9×11	1
6	60000115	吹气管	INPUT TUBE	1
7	10005356	油壶	OLI CAN	1
8	10031077	5770A-1510使用说明书	INSTRUCTION MANUAL	1
9	10031078	5770A-1510零件手册	PARTS BOOK	1
10	10011137	机头胶垫	HINGE RUBBER	2
11	10011160	支承固定架	BED HINGE	2
12	10008260	螺钉 M5 L=50	SCREW M5 L=50	4
13	10005244	垫圈 6	WASHER 6	8
14	10000353	螺母 M5	NUT M5	8
15	10011143	螺钉 SM9/64"×40 L=7	SCREW SM9/64"×40 L=7	1
16	10000396	硅油毡	FELT	1
17	10000398	硅油板	THREAD GUIDE	1
18	10013102	机头座垫	BASE RUBBER	5
19	10000404	机头罩	MACHINE COVER	1
20	10003361	注射器	INJECTOR	1
21	10007800	油管 φ3×φ5	TUBE φ3×φ5	60
22	10010994	大螺丝刀	SCREW DRIVER LARGE	1
23	10010995	中螺丝刀	SCREW DRIVER MIDDLE	1
24	10013185	小螺丝刀	SCREW DRIVER SMALL	1
25	10000649	梭心	BOBBIN	2
26	10004896	机针 DP×17 18#	NEEDLE DP×17 18#	5
27	10006185	油杯组件	OIL CUP	1
28	10001245	电控箱固定螺钉 M6 L=50	SCREW M6 L=50	4