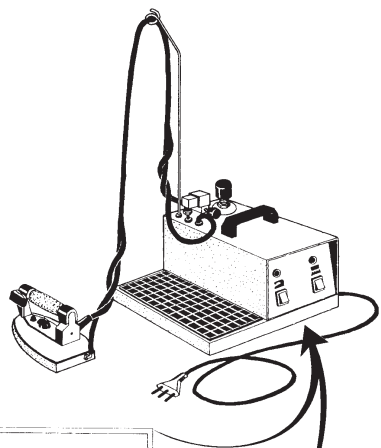


HOW TO IDENTIFY THE UNIT



DITTA COSTRUTTRICE - Comel S.r.l. - PERGOLA (PS) - ITALY	
MODELLO - Generatore di vapore COMPACTA	
NUMERO DI SERIE.....	
220 - 240 V - 50 Hz 8.2 A	
POTENZA ELETTRICA RESISTENZA CALDAIA	1000 W
POTENZA ELETTRICA RESISTENZA FERRO	800 W
CAPACITA' CALDAIA	2 lt.
PRESSIONE ESERCIZIO	2.5 bar
PESO NETTO	10 Kg
DIMENSIONI INGOMBRO	(h. 26 X L. 32 X La. 28) cm.

SERIAL NUMBER.....

IN0432

001 REVISION

Data, descriptions and drawings in this manual are not binding.
The company reserves the right to make any change if necessary.

CO.M.E.L. SRL

COSTR. ELETTROMECCANICHE MACCHINE DA STIRO

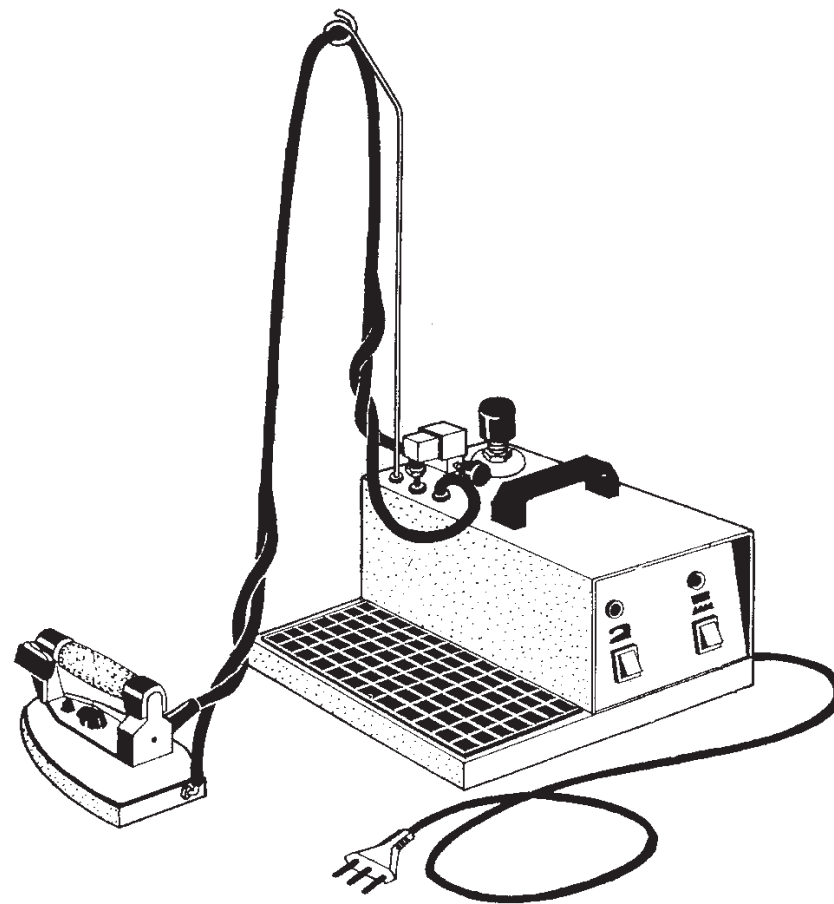
61045 PERGOLA (PS) - ITALIA
VIA DELL' INDUSTRIA, 40
ZONA INDUSTRIALE SUD

TEL. 0721/735110 - 735111
FAX 0721/735114
P.O. Box 62 P.IVA 0045639 041 8

Please read carefully

modello
COMPACTA INOX

SERVICE AND USE INSTRUCTION MANUAL








cod. - A00813

MADE IN ITALY
Comel

INSTRUCTION MANUAL

A T T E N T I O N

Please read carefully the overall instruction manual before carrying out any operation on the unit, in order to protect the operator and avoid any damage .

LABELS ON THE UNIT		ATTENTION- HEAT SOURCE-THERE MAY BE HIGH TEMPERATURES
		STOP TENSION BEFORE CARRYING OUT ANY OPERATION ON THE UNIT
		EARTH
WARNING SIGNS		DO NOT REMOVE ANY SAFETY DEVICES
		DO NOT CARRY OUT ANY OPERATION ON THE UNIT WHEN IT IS ON

SAFETY WARNINGS :

*Before using the unit, please verify that the mains voltage matches what is indicated on the unit plate. The unit must be plugged into mains and sockets duly earthed. * If the unit plug and the socket do not match, please have the plug replaced with a right one by qualified technicians. *The unit is electrically safe under the condition that it is duly earthed, as provided for by the current electrical safety rules. The manufacturer cannot be held responsible for any damage arising from the mains

being badly earthed. If in doubt, please contact a qualified technician. * After unpacking the unit, please make sure that it is untouched. If in doubt, do not operate the unit in any case and contact a qualified technician. *Please make sure that all packaging of the unit (plastic bags, expanded polystyrene,..) is away from children and carefully disposed of, since it may be dangerous. * Please do not use adaptors and/or extensions. If needed, only simple adaptors and extensions complying with the current safety rules must be used. However, please be careful and do not exceed the power limits marked on the adaptor. * The manufacturer cannot be held responsible for any damage arising from improper, wrong and unreasonable use of the unit and from careless service carried out by unqualified technicians. * Do not touch the unit with damp, wet hands or feet. Do not immerse the unit into water. * Do not operate the unit in bathrooms or any damp environment. * Do not pull the electric flex or the whole unit with damp, wet hands or feet. * Do not let children or the incompetent use the unit, unless under adults' control. * Do not leave the unit unattended when it is on, since it may turn dangerous. * Please make sure that the unit is turned off and disconnected from the power point before cleaning it out or carrying out any service on it. *Should the unit fail or work badly, please switch it off and never break it open. If service is needed, please contact service centres authorised by the manufacturer and ask for original spare parts to be used. Whether these warnings are disregarded, the safety of the unit may be undermined. * The user is kindly requested never to replace the electric flex of the unit. When it is damaged or needs being replaced, please contact service centres authorised by the manufacturer. *Please always disconnect the unit from the power point when it is not used.

HOW TO OPERATE THE UNIT:

The steam generator Compacta has been designed to iron any kind of fabric in a professional way by means of a steady steam system.

INSTRUCTIONS

- Screw off the filling top (3) and fill the boiler with no more than 1,4lt of standard water. Screw on the top mildly.
- Connect the plug (9) to a 220v, earthed power point.
- Press the boiler on/off switch (7) to have the boiler come on, press the iron on/off switch (8) to have the iron come on.
- Adjust the iron thermostat (2) between linen and cotton position (linen position is recommended when dry steam is needed, whereas cotton position is when damp steam is needed).
- Before any ironing, please wait for the steam warning light (6) to belit. Should the warning light go off while you iron, please go on with your work: the warning light will come on automatically as soon as the steam has been available again.
- Press the iron micro switch (1) to have the steam coming out from the iron.
- Use the knob (4) to adjust the steam flow released from the iron.

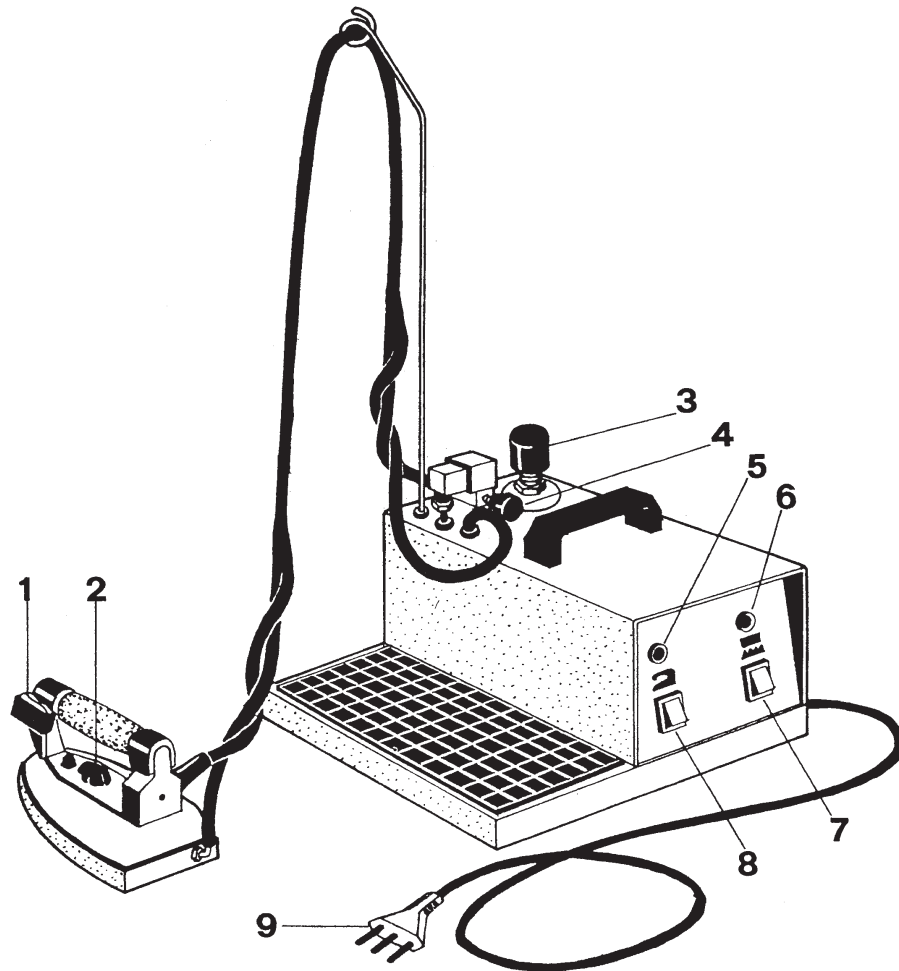
WARNINGS AND SUGGESTIONS

- Never overfill the boiler.
- Never screw off the filling top (3) as long as the boiler is under pressure.
- Before screwing off the filling top (3), make sure that no more steam is still inside the boiler.
- Never leave the unit unattended for long when it is on.
- When the steam is definitely over, unplug the unit. Please wait for 20 minutes and screw on the filling top (3) very carefully. Refill the boiler and repeat the instructions above.

N.B. REGULAR MAINTENANCE OF THE UNIT

To clean the boiler, please drain it from time to time by reversing the unit and letting water out by the filling top(3).

(NEVER CARRY OUT THIS OPERATION WHEN THE UNIT IS UNDER PRESSURE).



REFERENCES

- 1__IRON MICROSWITCH
- 2__IRON THERMOSTAT
- 3__FILLING TOP
- 4__KNOB TO ADJUST THE STEAM FLOW
- 5__WATER WARNING LIGHT

- 6__STEAM WARNING LIGHT
- 7__BOILER ON/OFF SWITCH
- 8__IRON ON/OFF SWITCH
- 9__PLUG

MANUFACTURER'S
SPARE PARTS

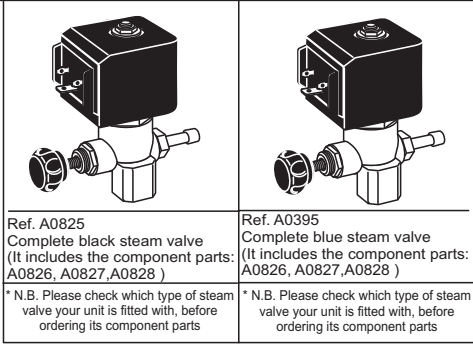
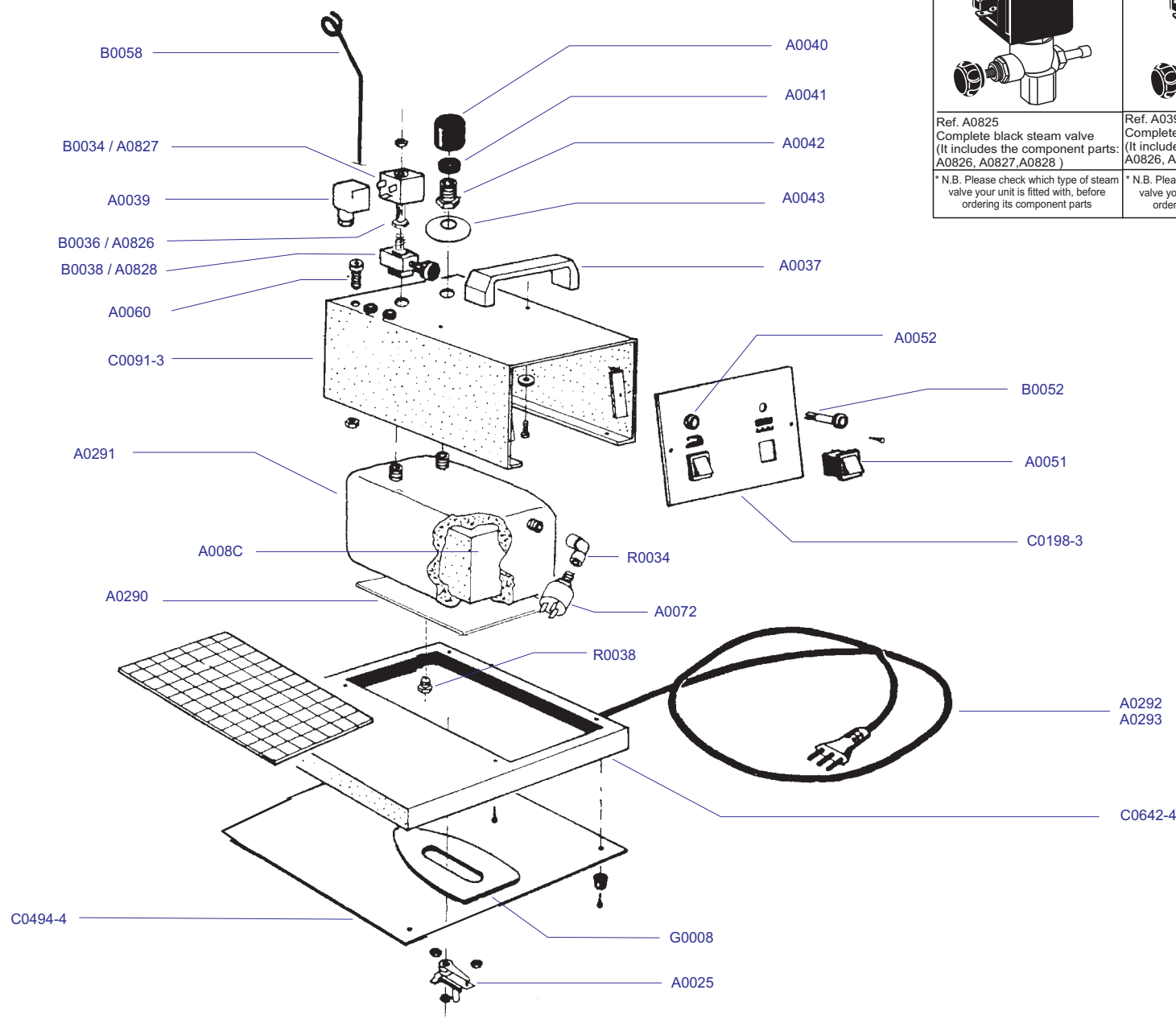
If service is needed, please contact service centres authorized

by the manufacturer and ask for original spare parts to be used.

Whether this warning is disregarded, the safety of the unit

may be undermined.





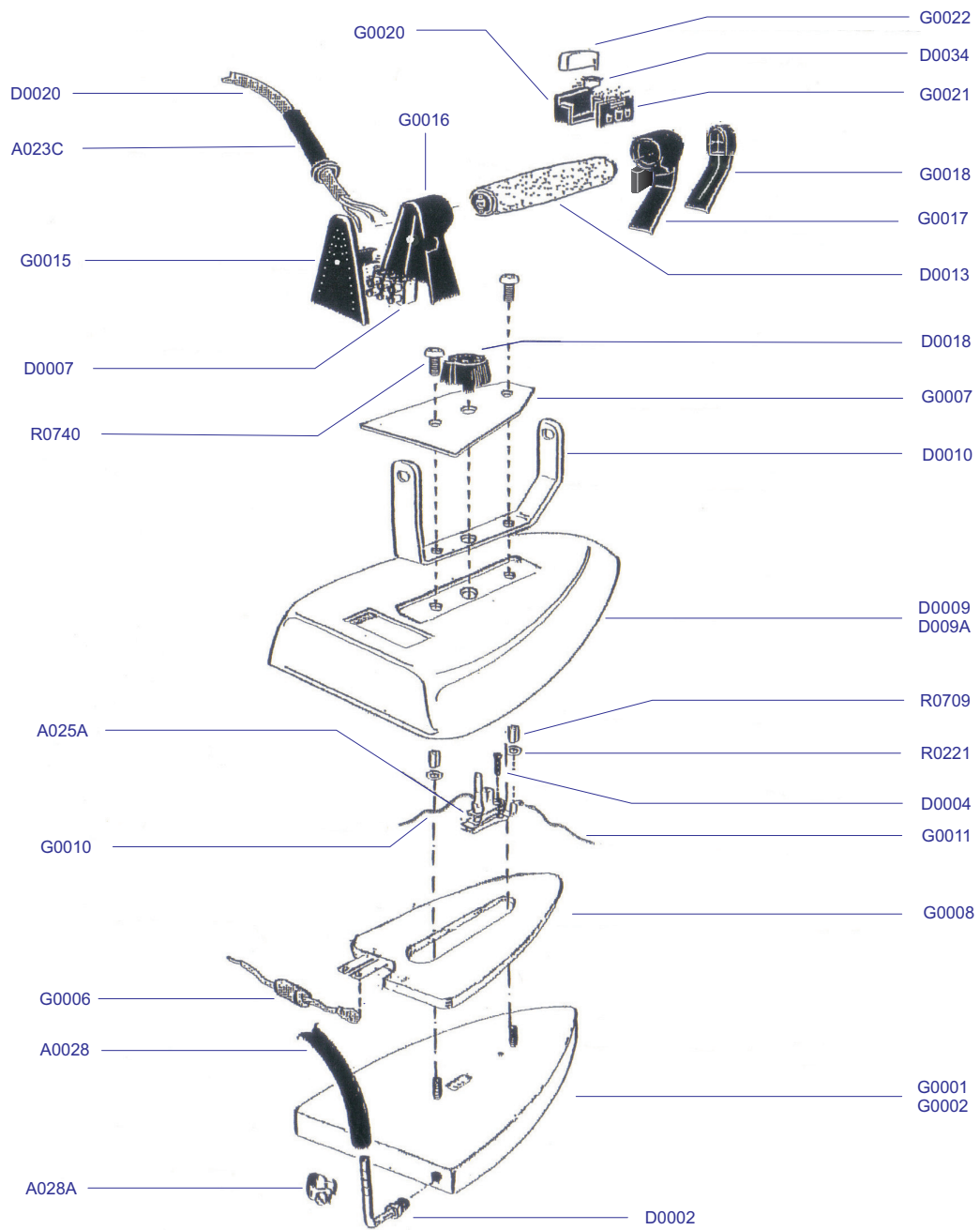
REF.	DESCRIPTION	Q**
A008C	Boiler	1
A0025	Thermostat	1
A0031	Iron-resting mat	1
A0037	Handle	1
A0039	Connector	1
A0040	Filling top	1
A0041	Washer	1
A0042	Connector	1
A0043	Washer	1
A0051	On/off switch	2
A0052	Red warning light	1
A0060	Bush	1
A0072	Pressure switch	1
A0290	Aluminium plate	1
A0291	Boiler insulation	1
A0292	Flex with Italian plug	1
A0293	Flex with Schuko plug	1
A0395*	Complete steam valve	1
A0825*	Complete steam valve	1
A0826*	Plunger	1
A0827*	Steam valve coil	1
A0828*	Steam valve core	1
B0034*	Steam valve coil	1
B0036*	Plunger	1
B0038*	Steam valve core	1
B0058	Flex support	1
B0052	Green warning light	1
C0091-3	Inox chassis	1
C0198-3	Inox front panel	1
C0494-4	Bottom	1
C0642-4	Inox base	1
G0008	Heating element	1
R0034	Connector	1
R0038	Connector	1

*PIECES PER UNIT (IN THIS VIEW)

N.B. The above view is intended as a pure indication. It serves to show all the component parts of the unit to make any service easier.

Comel R I C A M B I

COMPACTA	COMPACTA	01/08/2017	ITAV-1075
DESCRIPTION	TYPE	LAST CHANGE DATE	VIEW REF.



- G0022
- D0034
- G0021
- G0018
- G0017
- D0013
- D0018
- G0007
- D0010
- D0009
- D009A
- R0709
- R0221
- D0004
- G0011
- G0008
- G0001
- G0002

REF.	DESCRIPTION	Q*
A0028	Steam hose	1
A023C	Rubber sleeve	1
A025A	Thermostat	1
A028A	Steam hose clamp	1
D0002	Steam hose elbow	1
D0004	Screw	2
D0007	Junction box	1
D0009	Small chromium-plated cover	1
D009A	Big chromium-plated cover	1
D0010	Chromium-plated handle	1
D0013	Cork handle	1
D0018	Thermostat knob	1
D0020	Flex	1
D0034	Micro switch core	1
G0001	Small iron base	1
G0002	Big iron base	1
G0006	Thermal cut-out	1
G0007	Market tag	1
G0008	Heating element	1
G0010	Wire	1
G0011	Wire	1
G0015	Back cap	1
G0016	Back handle support	1
G0017	Front handle support	1
G0018	Front cap	1
G0020	Micro switch holder	1
G0021	Spacing tag	1
G0022	Blue micro switch button	1
R0221	Washer	2
R0709	Spacing cylinder	2
R0740	Screw	2

*PIECES PER UNIT (IN THIS VIEW)

N.B. The above view is a pure indication. It serves to show all the component parts of the unit to make any service easier .

Cornel R I C A M B I

721 PAB - GAB IRON

COMPONENT PARTS

21/03/2008

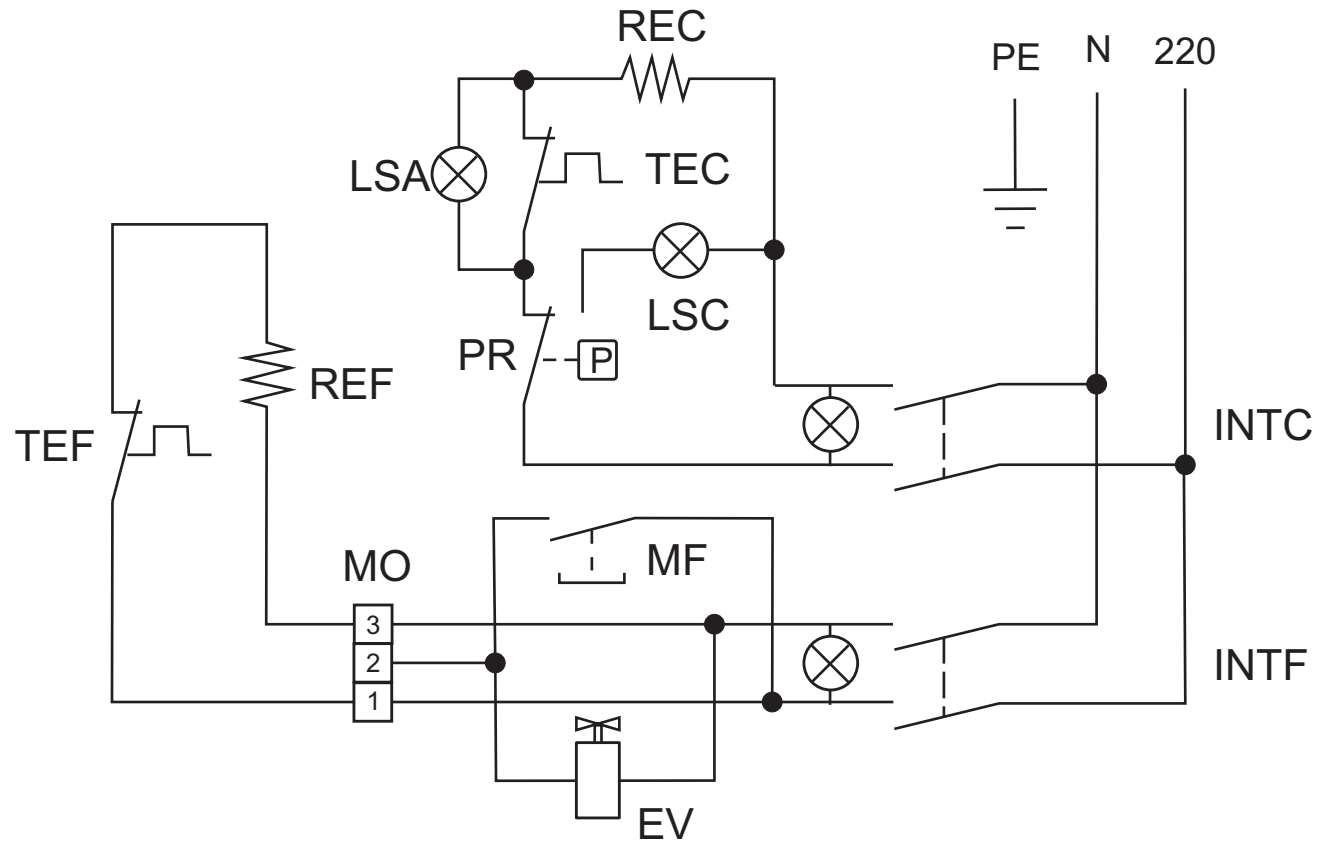
IFER-0020

DESCRIPTION

TYPE

LAST CHANGE DATE

VIEW REF.



REF. DESCRIPTION

- REC BOILER HEATING ELEMENT
- TEC BOILER THERMOSTAT
- MO JUNCTION BOX
- EV STEAM VALVE
- PR PRESSURE SWITCH
- REF IRON HEATING ELEMENT
- TEF IRON THERMOSTAT
- LSA WATER WARNING LIGHT
- LSC BOILER WARNING LIGHT
- MF IRON MICRO SWITCH
- INTC BOILER ON/OFF SWITCH
- INTF IRON ON/OFF SWITCH
- PE EARTH
- N NEUTRAL WIRE