

BBWP series

High speed, Compound feed and walking foot, 2.0 times large hook, Reverse stitch, Lockstitch machines



BBWP-28BL-BTFL

Variety



BBWP-8BL

Single needle.



BBWP-8BL-BTFL

Single needle, w/auto, BTFL.



BBWP-8BL-BTFL-CD-DS

Single needle, automatic back tack, automatic presser foot lift, climbing device, dual stitching device.



BBWP-28BL

Two needle.



BBWP-28BL-BTFL

Two needle, w/auto, BTFL.



BBWP-28BL-BTFL-CD-DS

Two needle, automatic back tack, automatic presser foot lift, climbing device, dual stitching device.

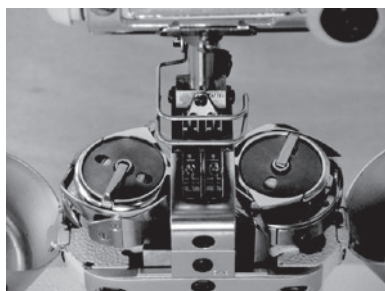
Applications

- For sewing medium to heavy weight materials such as leather, vinyl, synthetics and laminated and coated materials
- Suitable for sewing such as automobile upholstery tarpaulins, covers, awnings, tents, umbrellas handbags, luggage, travelware accessories, sports and camping gear and wearing apparel outdoor clothing.

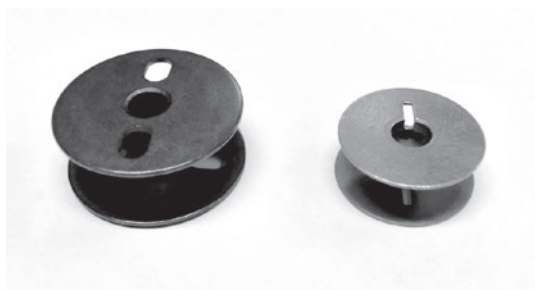


Features

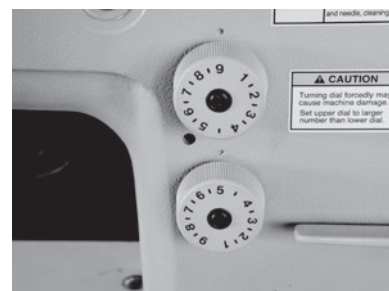
- Longer stitch length quiet sewing operation
 - * Max. 9mm for both forward and reverse feed stitching.
 - * Compound feed and walking foot for positive stitching formation.
- BBWP series are equipped with a large vertical axis hook(2.0 times)
 - * Large capacity hook minimizes the time to replace the bobbin thread in stitching of thick thread.
 - * This hook promote highly efficient operation by reducing the frequency of bobbin thread replacement.
- Safety device
 - * Safety device prevents damage to hook and thread handling parts caused by thread jamming.
- One touch switchover for two different stitch lengths (DS device)
 - * Variety sewing materials such as steps, curves, uneven thickness can be performed by one touch switchover setting two different stitch lengths. The efficient work and beautiful finishes will be obtained. (-DS Type)



2.0 times large capacity hook

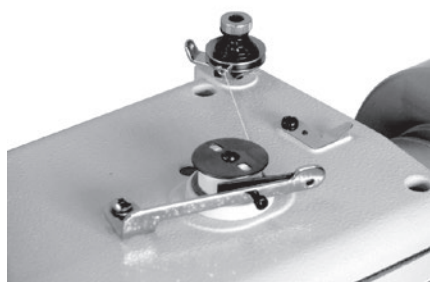


Comparison of the bobbin size

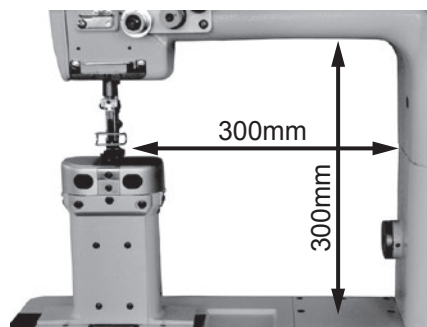


One touch switchover for two different stitch lengths (DS Device)

- Built-in bobbin winder
 - * Built-in bobbin winder makes it possible to wind the bobbin thread during sewing operation.
- Wide working space
 - * 300 mm working space, from the needle to the sewing machine arm, makes sewing works easy to handle heavy weight and even large materials.
- Large clearance under presser foot
 - * The clearance under the presser foot (16mm), makes it easy to put heavy weight materials in and out.



Built-in bobbin winder



Wide working space



The clearance under the presser foot (16mm)

- Simple setting for alternating presser foot movement
 - * Alternating presser foot movement between inner foot and outer foot can be changed simply by the easy-to-handle dial located at the top of the sewing machine.
 - * Once the alternating movements have been set, the sewing speed is automatically controlled to the optimum speed so that stable sewing is maintained.
- Smooth stitching on step section (CD device)
 - * The presser foot movement can be changed to maximum momentum (7mm) by button. Uneven thickness of materials can be smoothly performed changing the movement right before the uneven point.

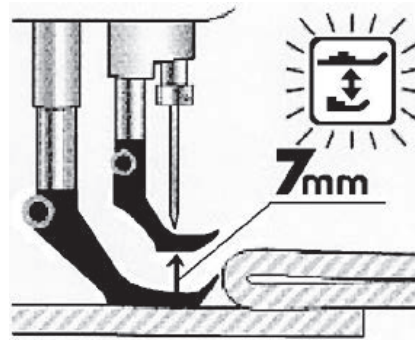
BBWP series

- 5 operational switches improve working efficiency

- * 5 switch buttons are panelled on the convenient positions improve the efficient works.



Simple setting for alternating presser foot movement



Smooth stitching on step section (CD device)



5 operational switches

- * Quick reverse switch
- * Walking foot movement change switch
- * Auto backtack select switch
- * Half stitch switch
- * Stitch length change switch

- Center guide (optional parts)

- * Lifting presser foot with a central guide (optional parts)

- Guide (optional parts)

- * The edge roller guide (Part no.60546C) which is being used by BBW series machine can be used in its as is status.



On duty



Off duty

BBWP series

Specifications (BBWP-□)

| Variety | 8BL | 8BL-BTFL | 8BL-BTFL-CD-DS | 28BL | 28BL-BTFL | 28BL-BTFL-CD-DS |
|-------------------------------------|--|----------------|----------------|--------------|----------------|-----------------|
| Number of needle | Single needle | | | Two needle | | |
| Max. sewing speed | 2,500s.p.m. (Refer to list below) | | | | | |
| Max. stitch length | 9mm | | | | | |
| Clearance under presser foot | by hand | 9mm | | | | |
| | by knee | 16mm | - | 16mm | - | |
| | by automatic foot lifter | - | 16mm | - | 16mm | |
| Needle bar stroke | 34mm | | | | | |
| Needle | 135×17 #110 - #200 (#180), DP×17 #18 - #25 (#24) | | | | | |
| Thread | #20 - #1 (Standard #5) | | | | | |
| Hook | Large vertical axis hook (2.0 times) | | | | | |
| Post height | 178mm | | | | | |
| Thread take up lever | Slide type | | | | | |
| Amount of walking foot movement | 1-6.5mm | 1-7mm | | 1-6.5mm | 1-7mm | |
| Walking foot movement change switch | Dial type | | | | | |
| Bobbin winder | Built-in type located at the top of the sewing machine | | | | | |
| Auto presser foot lifting device | - | Pneumatic | | - | Pneumatic | |
| Walking foot movement change device | - | Pneumatic | | - | Pneumatic | |
| Safety device | Standard | | | | | |
| Lubrication | Semi-automatic lubrication type | | | | | |
| Bed size / Working space | 567 × 177mm / 300 × 300mm | | | | | |
| Net weight (Head only) | 61Kg | 63Kg | 64Kg | 61Kg | 63Kg | 64Kg |
| Motor | Clutch motor | AC Servo motor | | Clutch motor | AC Servo motor | |

NOTE : (1)Speed depends on threads, materials and type of operation.
(2)Specifications subject to change without notice

Sewing speed range

| Amount of walking foot movement | Stitch length | |
|---------------------------------|---------------|-------------|
| | 6mm and less | 6mm~9mm |
| 1 mm~2 mm | 2500 s.p.m | 2000 s.p.m. |
| 3 mm | 2400 s.p.m. | |
| 4 mm | 2300 s.p.m. | |
| 5 mm ~ 7 mm | 2000 s.p.m. | |

BBWP-□

| | 8BL-BTFL | 8BL-BTFL-CD-DS |
|---------------------------------------|----------|----------------|
| Quick reverse feed (BT) | ○ | ○ |
| Auto presser foot lifting (FL) | ○ | ○ |
| Walking foot movement changeover (CD) | - | ○ |
| Stitch length change (DS) | - | ○ |

Needle gauge list

| Variety | Needle gauge size |
|-----------|---|
| BBWP-28BL | 1/4"(6.4 mm), 5/16"(7.9mm), 3/8"(9.5mm) standard : 3/8"(9.5 mm) |

Note: Other needle gauges are available within 1/8"to 1-1/2" at extra cost.



SEIKO SEWING MACHINE CO., LTD.

2-13-6, Sakaecho, Funabashi-shi
Chiba Prefecture, 273-0018, Japan

Phone : +81-47-420-3561 (Overseas dept.)

Fax : +81-47-420-3560

E-mail : export@seiko-sewing.co.jp

Printed in Japan 2015.08

<http://www.seiko-sewing.co.jp/>