

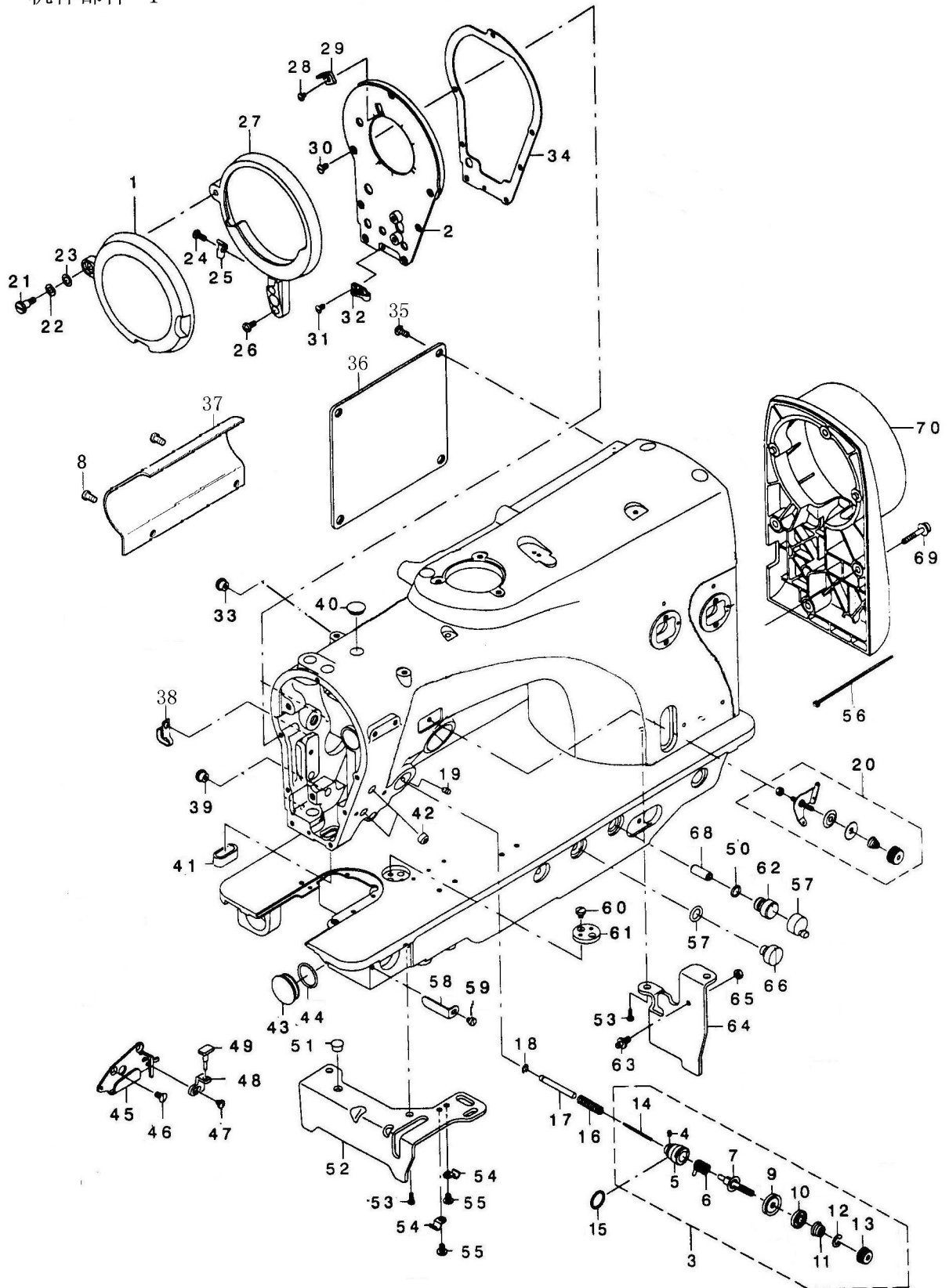
# CONTENTS

## 目录

|   |    |
|---|----|
| 1. FRAME & MISCELLANEOUS COVER COMPONENTS I .....           | 01 |
| 机体部件 I  |    |
| 2. FRAME & MISCELLANEOUS COVER COMPONENTS II .....          | 04 |
| 机体部件 II   |    |
| 3. MAIN SHAFT & THREAD TAKE-UP & NEEDLE BAR COMPONENTS..... | 07 |
| 挑线刺布部件  |    |
| 4. NEEDLE VIBRATOR COMPONENTS.....                          | 10 |
| 摆针部件  |    |
| 5. HAND LIFTER COMPONENTS.....                              | 12 |
| 抬压脚部件   |    |
| 6. FEED MECHANISM COMPONENTS I .....                        | 14 |
| 送料部件 I  |    |
| 7. FEED MECHANISM COMPONENTS II .....                       | 17 |
| 送料部件 II   |    |
| 8. HOOK DRIVING SHAFT COMPONENTS I .....                    | 19 |
| 下轴部件 I  |    |
| 9. HOOK DRIVING SHAFT COMPONENTS II .....                   | 21 |
| 下轴部件 II   |    |
| 10. THREAD TRIMMER MECHANISM COMPONENTS.....                | 23 |
| 切刀部件.   |    |
| 11. AUTOMATIC REVERSE FEED MECHANISM COMPONENTS.....        | 26 |
| 自动倒送料部件   |    |
| 12. THREAD FEEDER COMPONENTS.....                           | 27 |
| 挑线部件  |    |
| 13. THREAD RELEASE SOLENOID COMPONENTS.....                 | 28 |
| 松线及倒缝按钮部件   |    |
| 14. LUBRICATION COMPONENTS.....                             | 29 |
| 油路部件  |    |
| 15. WIPER MECHANISM COMPONENTS.....                         | 32 |
| 拨线部件  |    |
| 16. UNDER COVER COMPONENTS.....                             | 34 |
| 膝提部件  |    |
| 17. THREAD STAND COMPONENTS.....                            | 36 |
| 二线架部件   |    |
| 18. ACCESSORIE PART COMPONENTS.....                         | 37 |
| 附件  |    |

1. FRAME&MISCELLANEOUS COVER COMPONENTS I

机体部件 I

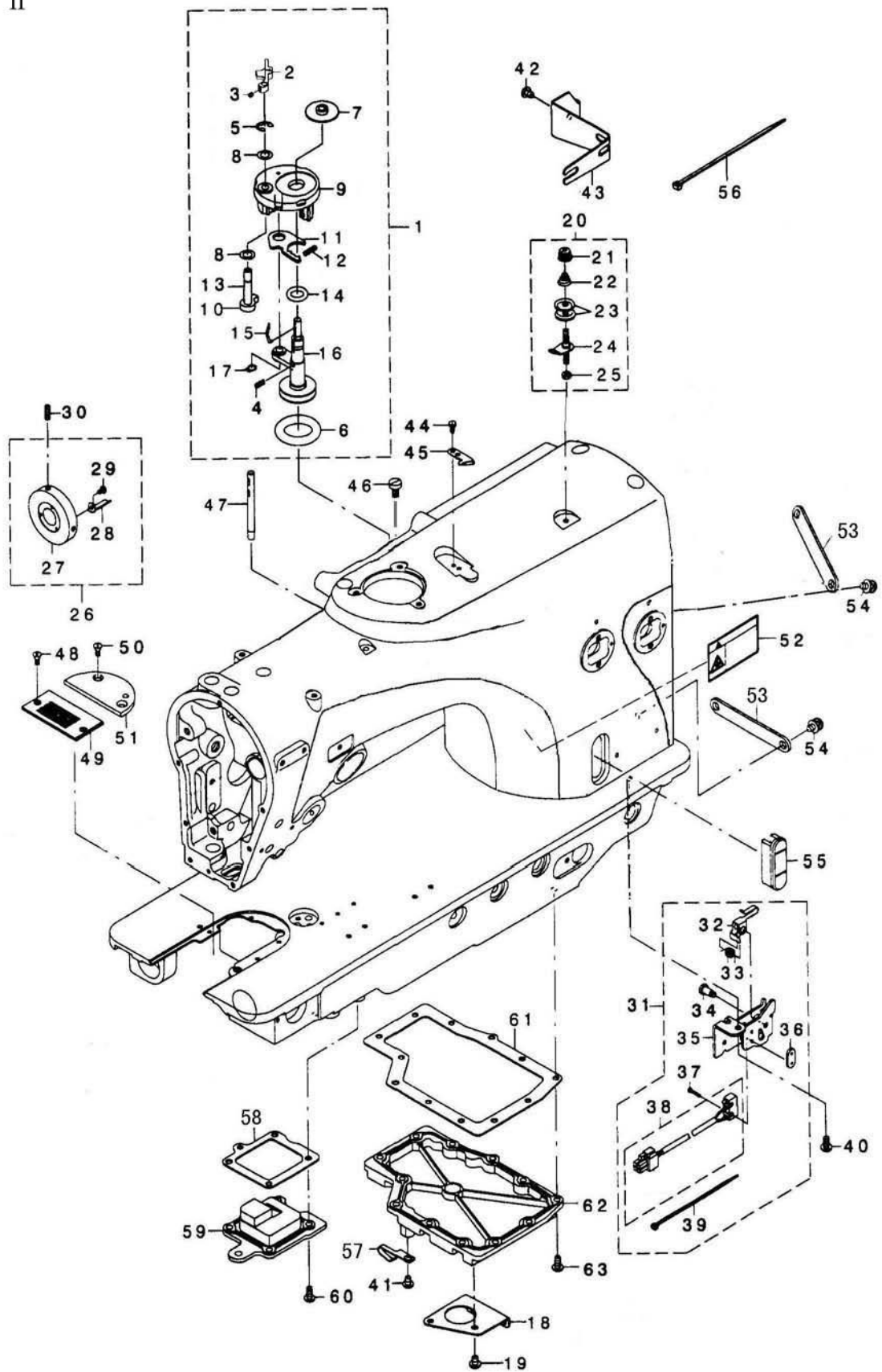


| 1. 机体部件 I                              |                |          |                                |    |
|--|----------------|----------|--------------------------------|----|
| FRAME&MISCELLANEOUS COVER COMPONENTS I |                |          |                                |    |
| 序号<br>NO.                              | 件号<br>Part No. | 描述       | Description                    | 数量 |
| 1                                      | 10000190       | 挑线盘防护罩组件 | BALANCE COVER                  | 1  |
| 2                                      | 10000122       | 面板组件     | FACE PLATE COMPL.              | 1  |
| 3                                      | 10000657       | 夹线器组件    | THREAD TENSION ASM.            | 1  |
| 4                                      | 10004200       | 夹线螺钉紧固螺钉 | SCREW                          | 1  |
| 5                                      | 10000120       | 夹线器座组件   | THREAD TENSION ROD BASE ASM.   | 1  |
| 6                                      | 10000115       | 挑线簧      | TAKE-UP SPRING                 | 1  |
| 7                                      | 10000123       | 夹线螺钉组件   | THREAD TENSION ROD COMPL.      | 1  |
| 8                                      | 10001281       | 电线压盖螺钉   | SCREW                          | 2  |
| 9                                      | 10000116       | 夹线板      | THREAD TENSION DISK COMPL.     | 1  |
| 10                                     | 10000116       | 松线板      | TENSION DISC HOLDER            | 1  |
| 11                                     | 10000659       | 夹线簧      | TENSION SPRING                 | 1  |
| 12                                     | 10004199       | 夹线螺母制动垫圈 | ROTATION STOPPER               | 1  |
| 13                                     | 10004178       | 夹线螺母     | THREAD TENSION NUT             | 1  |
| 14                                     | 10000660       | 松线钉      | THREAD RELEASE PIN             | 1  |
| 15                                     | 10000088       | 夹线器O形圈   | RUBBER RING                    | 1  |
| 16                                     | 10000087       | 松线杆复位弹簧  | THREAD RELEASE PIN SPRING      | 1  |
| 17                                     | 10000105       | 松线杆      | THREAD RELEASE AUXILIARY PIN   | 1  |
| 18                                     | 10009653       | 松线杆挡圈    | E-RING                         | 1  |
| 19                                     | 10002434       | 夹线器紧固螺钉  | SCREW                          | 1  |
| 20                                     | 20003377       | 中过线器组件   | PRE-TENSION CONTROLLER ASM.    | 1  |
| 21                                     | 10000107       | 护盖罩窗螺钉   | HINGE SCREW                    | 1  |
| 22                                     | 10000106       | 护盖罩窗弹簧片  | WAVED WASHER                   | 1  |
| 23                                     | 10000109       | 护盖罩窗垫片   | WASHER                         | 1  |
| 24                                     | 10000098       | 护盖弹簧片螺钉  | SCREW                          | 1  |
| 25                                     | 10000083       | 护盖弹簧片    | SPRING                         | 1  |
| 26                                     | 10000099       | 护盖螺钉     | SCREW                          | 1  |
| 27                                     | 20003377       | 挑线盘防护盖   | BALANCE COVER BASE             | 1  |
| 28                                     | 10009743       | 面板刀片螺钉   | SCREW                          | 1  |
| 29                                     | 10002434       | 面板刀片     | TAKE-UP THREAD CUTTER          | 1  |
| 30                                     | 10000101       | 面板螺钉     | SCREW                          | 7  |
| 31                                     | 10009890       | 导线架螺钉    | SCREW                          | 1  |
| 32                                     | 10000102       | 导线架      | SPRING GUARD                   | 1  |
| 33                                     | 10000091       | 左侧小油塞    | RUBBER PLUG                    | 1  |
| 34                                     | 10000103       | 面板垫      | FACE PLATE PACKING             | 1  |
| 35                                     | 10001281       | 后盖板螺钉    | SCREW                          | 6  |
| 36                                     | 20003368       | 后盖板      | SIDE PLATE                     | 1  |
| 37                                     | 20003367       | 电线压盖     |                                | 1  |
| 38                                     | 10000092       | 小线夹      | UPPER SHAFT FRONT METAL OIL WI | 1  |
| 39                                     | 10000090       | 摆动架销油塞   | RUBBER PLUG                    | 1  |
| 40                                     | 10011099       | 顶油塞      | RUBBER PLUG                    | 3  |
| 41                                     | 10000089       | 摆动架槽框    | ARM OIL SHIELD                 | 1  |
| 42                                     | 10000086       | 油塞       | DRIVING STOPPER RUBBER         | 2  |
| 43                                     | 10000095       | 旋梭箱铜塞    | GEAR BOX CAP                   | 1  |
| 44                                     | 10000189       | 铜塞O形圈    | RUBBER RING                    | 1  |
| 45                                     | 10000084       | 过线板      | BALANCE THREAD GUIDE           | 1  |
| 46                                     | 10000101       | 过线板螺钉    | SCREW                          | 2  |

|    |          |          |                         |   |
|----|----------|----------|-------------------------|---|
| 47 | 10021329 | 挑线簧定位板螺钉 | SCREW                   | 1 |
| 48 | 10000104 | 挑线簧定位板   | SPRING GUARD            | 1 |
| 49 | 10000645 | 挑线簧定位橡胶  | RUBBER STOPPER          | 1 |
| 50 | 10012139 | 透气阀O形圈   | RUBBER RING             | 1 |
| 51 | 10000076 | 前支脚油塞    | RUBBER PLUG             | 1 |
| 52 | 10000078 | 前支脚      | BED SUPPORT PLATE A     | 1 |
| 53 | 10000077 | 前支脚螺钉    | SCREW                   | 2 |
| 54 | 10000082 | 前支脚油线夹   | OIL RETURN TUBE HOLDETR | 1 |
| 55 | 10000098 | 前支脚油线夹螺钉 | SCREW                   | 1 |
| 56 |          | 电线自锁夹    | CABLE BAND              | 1 |
| 57 | 10001281 | 橡胶盖      | ARD-DISCHARGING CAP     | 1 |
| 58 | 10000096 | 铜塞固定板    | GEAR BOX CAP PRESSER    | 1 |
| 59 | 10000097 | 铜塞固定板螺钉  | SCREW                   | 1 |
| 60 | 10004374 | 限位挡板螺钉   | SCREW                   | 2 |
| 61 | 10004373 | 限位挡板     | RULER STOP SEAT         | 1 |
| 62 | 10026384 | 透气阀      | AIR-DISCHARGING         | 1 |
| 63 | 10000110 | 复位螺钉     | SCREW                   | 1 |
| 64 | 10000081 | 后支脚      | BED SUPPORT PLATE B     | 1 |
| 65 | 10000100 | 复位螺母     | NUT                     | 1 |
| 66 | 10000075 | 齿轮箱密封螺钉  | SCREW                   | 1 |
| 67 | 10000079 | 齿轮箱密封O形圈 | RUBBER RING             | 1 |
| 68 | 10021559 | 透气阀弹簧销   | CABLE BAND              | 1 |
| 69 | 10000157 | 后罩螺钉     | SCREW                   | 5 |
| 70 | 20003963 | 后罩       |                         | 1 |

## 2. FRAME&MISCELLANEOUS COVER COMPONENTS II

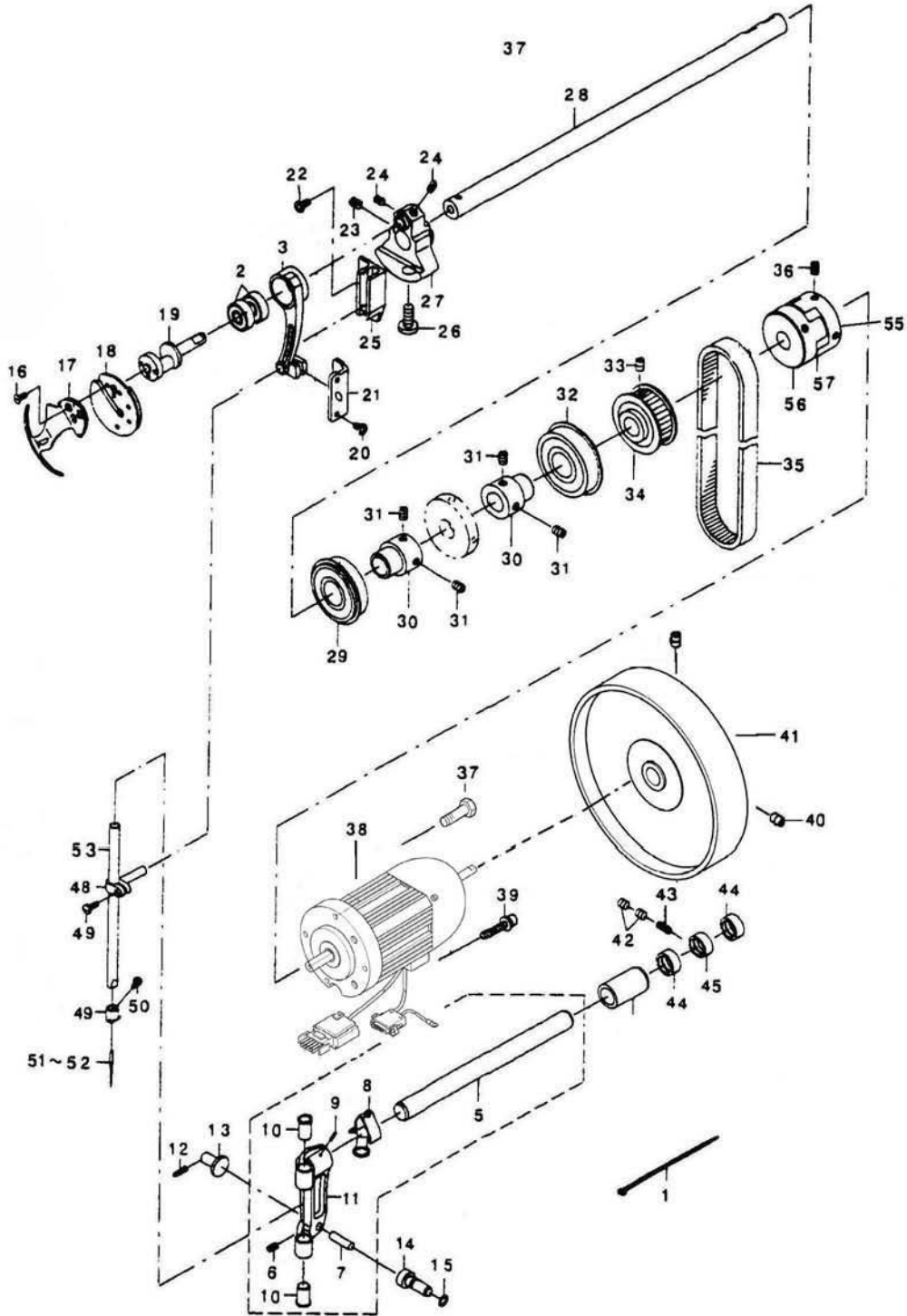
### 机体部件 II



| 2. 机体部件 II                              |                |            |                                |    |
|---|----------------|------------|--------------------------------|----|
| FRAME&MISCELLANEOUS COVER COMPONENTS II |                |            |                                |    |
| 序号<br>NO.                               | 图号<br>Part No. | 描述         | Description                    | 数量 |
| 1                                       | 10000129       | 绕线器        | BOBBIN DEVICE ASM.             | 1  |
| 2                                       | 10000735       | 卷绕手柄       | BOBBIN LEVER                   | 1  |
| 3                                       | 10000735       | 螺钉         | SCREW                          | 1  |
| 4                                       | 10004507       | 复位短弹簧      | PRESSUR FOOT SPRING            | 1  |
| 5                                       | 10009669       | 绕线器绕线凸轮轴挡圈 | E-RING                         | 1  |
| 6                                       | 10008773       | 橡胶轮        | RING                           | 1  |
| 7                                       | 10004498       | 卷绕轴垫       | CUSHION                        | 1  |
| 8                                       | 10004486       | 薄垫片        | WASHER                         | 1  |
| 9                                       | 10011096       | 梭心卷绕体组件    | BOBBIN FITTING BASIS COMPL.    | 1  |
| 10                                      | 10006151       | 绕线定位块      | BOBBIN CAM SHAFT COMPL.        | 11 |
| 11                                      | 10004497       | 控制板        | ASJUSTING PLATE                | 1  |
| 12                                      | 10004501       | 复位长弹簧      | SPRING                         | 1  |
| 13                                      | 10006152       | 绕线凸轮轴      | BOBBIN CAM SHAFT COMPL.        | 1  |
| 14                                      | 10004485       | 卷绕轴O形圈     | RUBBER RING                    | 1  |
| 15                                      | 10009937       | 锁芯弹簧       | LATCH SPRING                   | 1  |
| 16                                      | 10000151       | 梭芯卷绕轴      | BOBBIN WINDER SHAFT COMPL.     | 1  |
| 17                                      | 10006142       | 绕线器摆动板轴挡圈  | RETAINING RING                 | 1  |
| 18                                      | 10000169       | 油箱大油线架     | PIPE GUIDE PLATE               | 1  |
| 19                                      | 10000166       | 油箱大油线架螺钉   | SCREW                          | 1  |
| 20                                      | 10013064       | 绕线夹线器      | BOBBIN THREAD TENSION ASM.     | 1  |
| 21                                      | 10004503       | 塑料夹线螺母     | THREAD TENSION NUT             | 1  |
| 22                                      | 10004391       | 夹线簧        | THREAD TENSION SPRING          | 1  |
| 23                                      | 10004393       | 夹线板        | BOBBIN WINDER TENSION DISC     | 2  |
| 24                                      | 10004504       | 中过线板组件     | BOBBIN THREAD TENSION ROD ASM. | 1  |
| 25                                      | 10004507       | 夹线螺母       | NUT                            | 1  |
| 26                                      | 20000069       | 绕线器主动轮组件   | BOBBIN DRIVING WHEEL ASM.      | 1  |
| 27                                      | 10000172       | 绕线器主动轮     | BOBBIN DRIVING WHEEL           | 1  |
| 28                                      | 10000153       | 主动轮支脚      | BOBBIN DRIVING WHEEL BLADE     | 3  |
| 29                                      | 10000173       | 支脚螺钉       | SCREW                          | 3  |
| 30                                      | 10011223       | 绕线轮紧固螺钉    | SCREW                          | 2  |
| 31                                      | 10021598       | 安全开关组件     | SAFETY SWITCH ASM.             | 1  |
| 32                                      | 10000124       | 开关驱动杆      | SAFETY SWITCH ARM              | 1  |
| 33                                      | 10005855       | 开关弹簧       | SAFETY SWITCH SPRING           | 1  |
| 34                                      | 10000124       | 开关驱动杆      | SAFETY SWITCH ARM SHAFT        | 1  |
| 35                                      | 10000147       | 开关架        | SAFETY SWITCH BASE             | 1  |
| 36                                      | 10005877       | 螺母         | SAFETY SWITCH STOPPER PLATE    | 1  |
| 37                                      | 10003045       | 夹紧板螺钉      | SCREW                          | 2  |
| 38                                      | 10000525       | 开关组件       | SAFETY SWITCH CORD ASM.        | 1  |
| 39                                      |                | 电线自锁夹      | CABLE BAND                     | 1  |
| 40                                      | 10000148       | 安全开关螺钉     | SCREW                          | 2  |
| 41                                      | 10000098       | 油箱小油线架螺钉   | SCREW                          | 1  |
| 42                                      | 10000148       | 油线架螺钉      | SCREW                          | 1  |
| 43                                      | 10000146       | 油线架        | HEAD LUBRICATION PIPE STOPPER  | 1  |
| 44                                      | 10000164       | 切刀螺钉       | SCREW                          | 2  |
| 45                                      | 10011149       | 绕线切刀       | THREAD CUTTER                  | 1  |
| 46                                      | 10000149       | 绕线器螺钉      | SCREW                          | 3  |

|    |          |          |                              |    |
|----|----------|----------|------------------------------|----|
| 47 | 10000167 | 两眼过线柱    | SAFETY SWITCH ARM            | 1  |
| 48 | 10009890 | 针板螺钉     | SCREW                        | 2  |
| 49 | 10000166 | 针板       | NEEDLE PLATE                 | 1  |
| 50 | 10009890 | 针板内盖板螺钉  | SCREW                        | 2  |
| 51 | 10000165 | 针板内盖板    | BED PLATE                    | 1  |
| 52 | 10008936 | 安全提示牌    | SAFETY LABEL. (SMALL)        | 1  |
| 53 | 10000150 | 电线压板     | CONNECTING ROD               | 2  |
| 54 | 10000152 | 压板滚压螺钉   | SCREW                        | 4  |
| 55 | 10008772 | 油标窗      | OIL SIGHT WINDOW             | 1  |
| 56 |          | 电线自锁夹    | CABLE BAND 150               | 1  |
| 57 | 10000082 | 油箱小油线架   | LUBRICATING OIL WICK STOPPER | 1  |
| 58 | 10000168 | 旋梭齿轮箱盖垫  | GEAR BOX (SMALL) PACKING     | 1  |
| 59 | 10000125 | 旋梭齿轮箱盖   | GEAR BOX (SMALL) COVER       | 1  |
| 60 | 10000098 | 旋梭齿轮箱盖螺钉 | SCREW                        | 4  |
| 61 | 10000127 | 油箱盖垫     | GEAR BOX (LARGE) PACKING     | 1  |
| 62 | 10000126 | 油箱盖      | GEAR BOX (LARGE) COVER       | 1  |
| 63 | 10001281 | 油箱盖螺钉    | SCREW                        | 12 |

3. MAIN SHAFT&THREAD TAKE-UP&NEEDLE EAR COMPONENTS  
挑线刺布部件

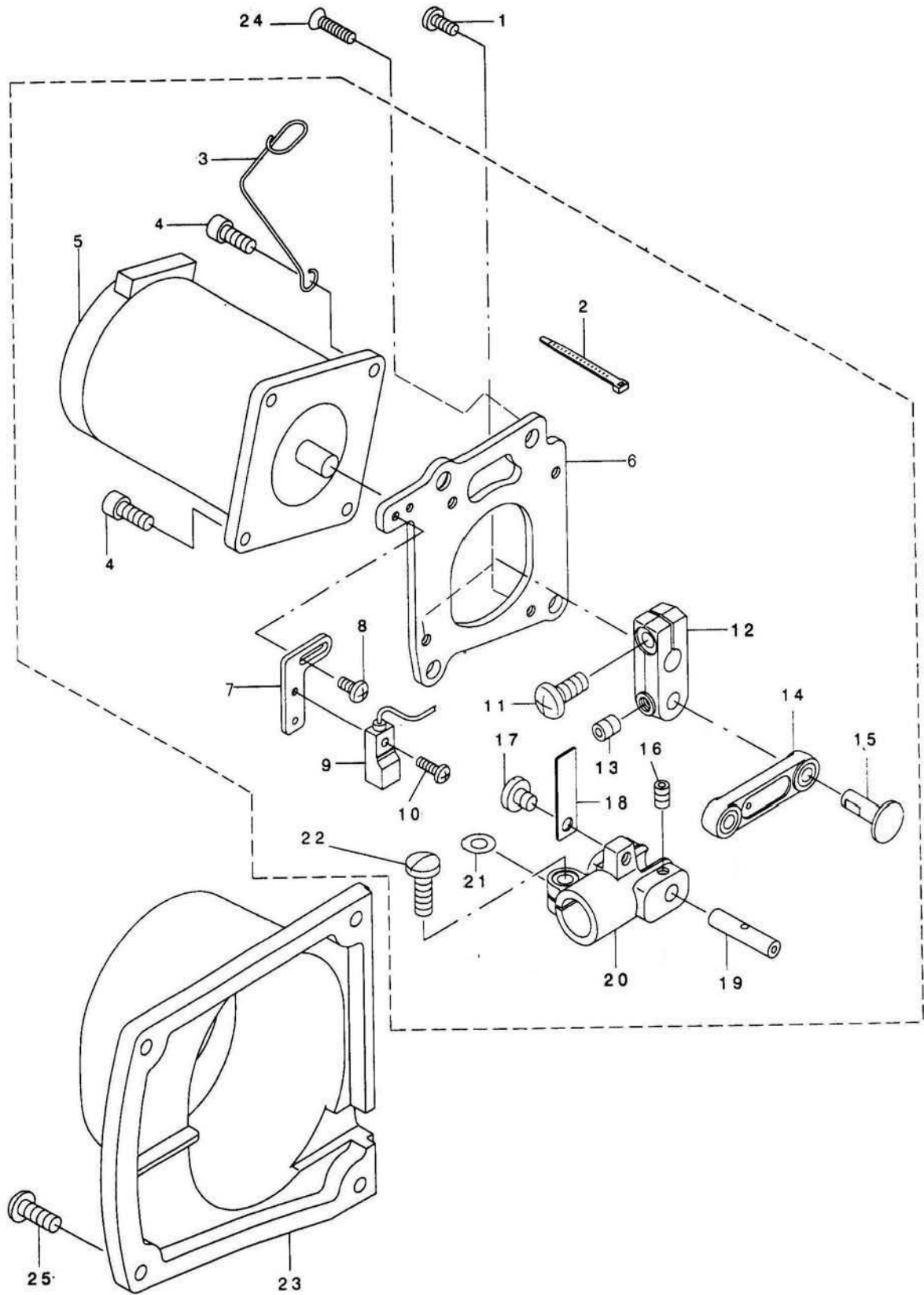




| 3. 挑线刺布部件                                       |                |            |                                |    |
|---|----------------|------------|--------------------------------|----|
| MAIN SHAFT&THREAD TAKE-UP&NEEDLE BAR COMPONENTS |                |            |                                |    |
| 序号<br>NO.                                       | 图号<br>Part No. | 描述         | Description                    | 数量 |
| 1   |                | 电线自锁夹      | CABLE BAND                     | 1  |
| 2   | 10003586       | 针杆连杆轴承     | BUSHING                        | 2  |
| 3   | 10000310       | 针杆连杆       | NEEDLE ROD CRANK ROD           | 1  |
| 4   | 10000230       | 针杆摆动架组件    | NEEDLE ROD SUPPORT BASE ASM.   | 1  |
| 5   | 10000227       | 针杆摆动架轴     | NEEDLE ROD SUPPORT BASE SHAFT  | 1  |
| 6   | 10000205       | 针杆摆动架销螺钉   | SCREW                          | 1  |
| 7   | 10000204       | 针杆摆动架销     | SUPPORT BASE GUIDE SHAFT       | 1  |
| 8   | 10000306       | 摆动架毛毡      | NEEDLE ROD SUPPORT BASE FELT   | 1  |
| 9   | 10003469       | 针杆摆动架开口销   | SPRING PIN                     | 1  |
| 10  | 10000228       | 针杆轴套       | NEEDLE ROD METAL               | 2  |
| 11  | 10000227       | 针杆摆动架      | NEEDLE ROD SUPPORT BASE        | 1  |
| 12  | 10000320       | 摆动架左定位销螺钉  | SCREW                          | 1  |
| 13  | 10000647       | 摆动架左定位销    | SUPPORT BASE GUIDE PIN B       | 1  |
| 14  | 10000646       | 摆动架右定位销    | SUPPORT BASE GUIDE PIN A       | 1  |
| 15  | 10000321       | 摆动架右定位销O形圈 | RUBBER RING                    | 1  |
| 16  | 10009890       | 旋转挑线盘螺钉    | SCREW                          | 3  |
| 17  | 10000337       | 旋转挑线盘      | BALANCE V                      | 1  |
| 18  | 10000232       | 旋转挑线盘座组件   | TAKE-UP COUNTERWEIGHT ASM.     | 1  |
| 19  | 10008538       | 挑线曲柄       | NEEDLE ROD CRANK               | 1  |
| 20  | 10010210       | 小连杆导板螺钉    | SCREW                          | 2  |
| 21  | 10000319       | 小连杆导板      | NEEDLE ROD CRANK ROD GUIDE     | 1  |
| 22  | 10000264       | 针杆连接柱导轨螺钉  | SCREW                          | 2  |
| 23  | 10000312       | 针杆曲柄紧定螺钉   | SCREW                          | 1  |
| 24  | 10005020       | 挑线曲柄螺钉     | SCREW                          | 2  |
| 25  | 10000307       | 针杆连接柱导轨    | NEEDLE ROD HOLDER GUIDE        | 1  |
| 26  | 10010545       | 针杆曲柄定位螺钉   | SCREW                          | 1  |
| 27  | 10000311       | 针杆曲柄       | COUNTER WEIGHT                 | 1  |
| 28  | 10000315       | 上轴         | UPPER SHAFT                    | 1  |
| 29  | 10025881       | 上轴前轴承      | BEARING                        | 1  |
| 30  | 10000313       | 上轴轴承挡圈     | MAIN SHAFT BEARING SUPPORT     | 1  |
| 31  | 10000314       | 上轴轴承挡圈螺钉   | SCREW                          | 2  |
| 32  | 10003603       | 上轴后轴承      | BEARING                        | 1  |
| 33  | 10000314       | 上轴带轮螺钉     | SCREW                          | 2  |
| 34  | 10000648       | 上轴带轮       | UPPER SHAFT SPROCKET           | 1  |
| 35  | 10000316       | 同步齿形带      | TIMING BELT                    | 1  |
| 36  | 10000314       | 上轴传动连接块螺钉  | SCREW                          | 4  |
| 37  | 10000233       | 上轴电机外六角螺钉  | SCREW                          | 1  |
| 38  | 10022370       | 上轴电机       | MOTOR A ASM.                   | 1  |
| 39  | 10000233       | 上轴电机螺钉组件   | SCREW                          | 4  |
| 40  | 10000314       | 上轮紧固螺钉     | SCREW                          | 2  |
| 41  | 20004078       | 上轮         | HAND WHEEL                     | 1  |
| 42  | 10000318       | 摆动架后中套螺钉   | SCREW                          | 1  |
| 43  | 10000317       | 摆动架后中套弹簧   | SPRING                         | 1  |
| 44  | 10000205       | 摆动架后外套     | SUPPORT BASE SHAFT FRONT METAL | 2  |
| 45  | 10000306       | 摆动架后中套     | SUPPORT BASE SHAFT REAR METAL  | 1  |
| 46  | 10000204       | 针杆摆动架前套    | SUPPORT BASE SHAFT FRONT METAL | 1  |

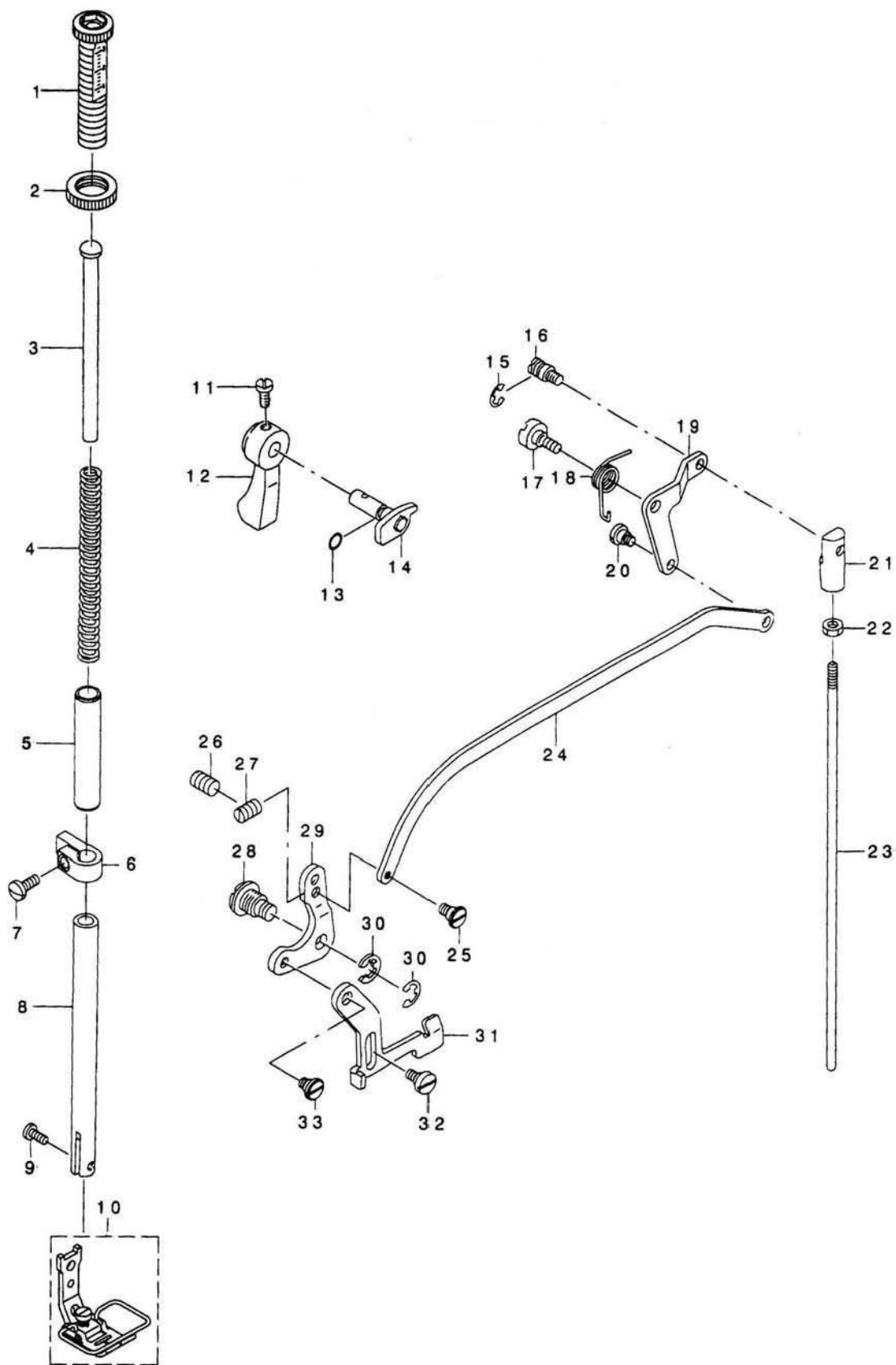
|    |          |          |                       |   |
|----|----------|----------|-----------------------|---|
| 47 | 10000309 | 针杆连接柱    | NEEDLE BAR CONNECTION | 1 |
| 48 | 10010018 | 针杆连接柱螺钉  | SCREW                 | 1 |
| 49 | 10000322 | 针杆线钩     | THRED RACK. RIGHT     | 1 |
| 50 | 10010588 | 机针螺钉     | SCREW                 | 1 |
| 51 | 10003366 | 机针(薄料用)  | NEEDLE(DPx5 #10)      | 1 |
| 52 | 10004858 | 机针(厚料用)  | NEEDLE (DPX5#14)      | 1 |
| 53 | 10000203 | 针杆       | NEEDLE ROD            | 1 |
| 54 | 10000868 | 上轴连接前块   | NEEDLE ROD CRANK      | 1 |
| 55 | 10011227 | 上轴传动连接胶块 | RUBBER                | 1 |
| 56 | 10000838 | 上轴传动连接后块 | COUPLING              | 1 |

4. NEEDLE VIBRATOR COMPONENTS  
摆针部件



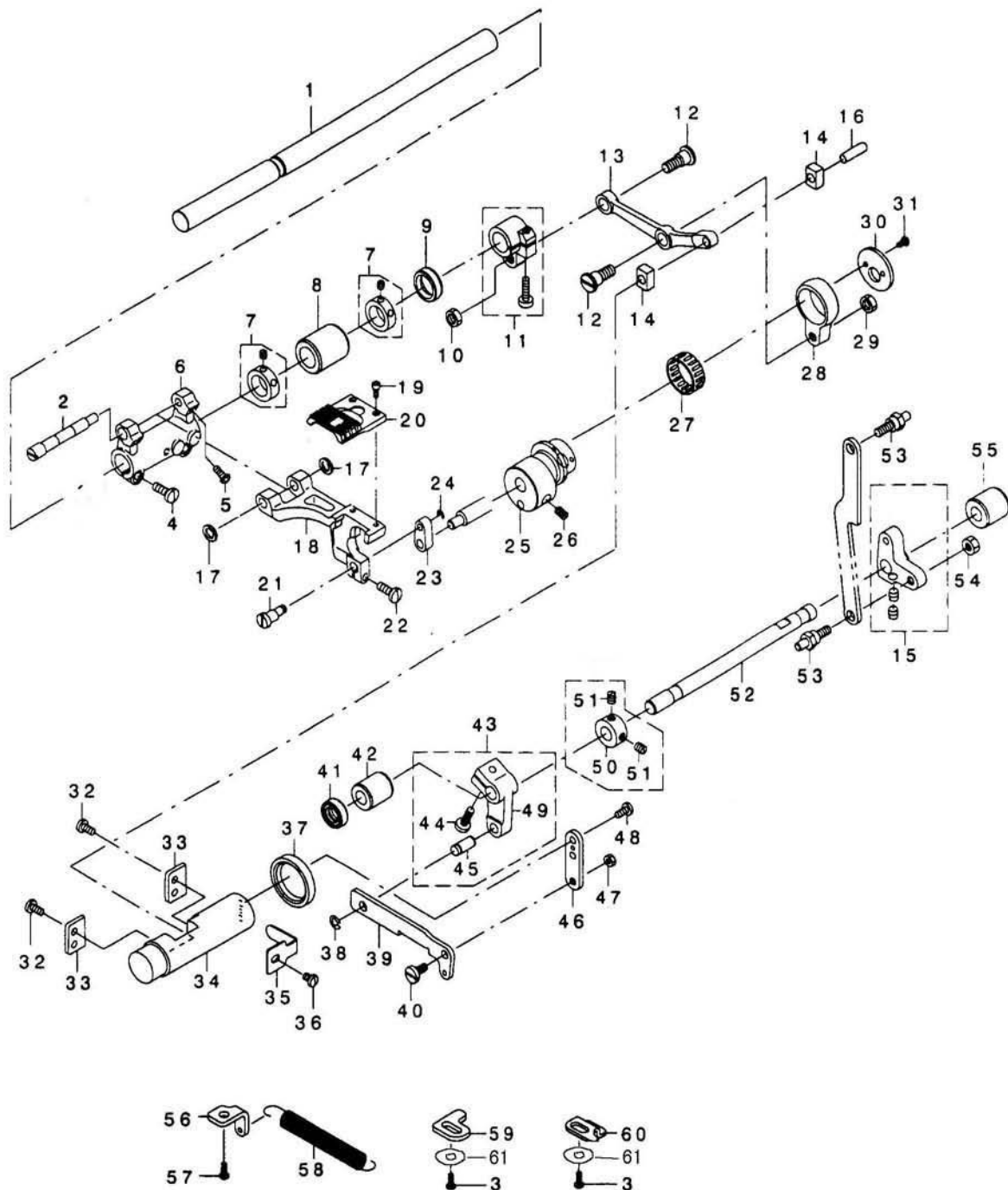
| 4. 摆针部件                    |                |              |                               |    |
|----------------------------|----------------|--------------|-------------------------------|----|
| NEEDLE VIBRATOR COMPONENTS |                |              |                               |    |
| 序号<br>NO.                  | 图号<br>Part No. | 描述           | Description                   | 数量 |
| 1                          | 10000341       | 步进电机安装板螺钉    | SCREW                         | 2  |
| 2                          |                | 电线自锁夹        | CABLE BAND                    | 1  |
| 3                          | 10000343       | 电线定位弹簧       | CORD CLAMP                    | 1  |
| 4                          | 10000342       | 步进电机螺钉       | SCREW                         | 4  |
| 5                          | 10024500       | 步进电机         | PULSE MOTOR                   | 1  |
| 6                          | 10025488       | 步进电机安装板      | NEEDLE VIBRATOR UNIT BASIS    | 1  |
| 7                          | 10000344       | 步进电机感应器安装板   | SENSOR FITTING PLATE          | 1  |
| 8                          | 10000345       | 步进电机感应器安装板螺钉 | SCREW                         | 2  |
| 9                          | 10003734       | 步进电机感应器      | ZERO SENSOR A ASM.            | 1  |
| 10                         | 10003060       | 步进电机感应器螺钉    | SCREW                         | 1  |
| 11                         | 10008776       | 摆动架驱动块螺钉     | SCREW                         | 1  |
| 12                         | 10024828       | 摆动架驱动块       | MOTOR LINK                    | 1  |
| 13                         | 10008775       | 摆动架连杆销螺钉     | SCREW                         | 1  |
| 14                         | 10000681       | 摆动架连杆组件      | SHAFT CONNECTION LINK ASM.    | 1  |
| 15                         | 10000640       | 摆动架连杆销       | NEEDLE VIBRATOR JUNCTION ROD  | 1  |
| 16                         | 10009906       | 摆动架连杆轴螺钉     | SCREW                         | 2  |
| 17                         | 10000513       | 感应器挡板螺钉      | SCREW                         | 1  |
| 18                         | 10003265       | 感应器挡板        | SENSOR SLIT                   | 1  |
| 19                         | 10000683       | 摆动架连杆轴       | SHAFT CONNECTION PIN          | 1  |
| 20                         | 10000682       | 摆动架连接座       | SUPPORT BASE SHAFT CONNECTION | 1  |
| 21                         | 10009469       | 摆动架连接座螺钉垫片   | WASHER                        | 1  |
| 22                         | 10000347       | 摆动架连接座螺钉     | SCREW                         | 1  |
| 23                         | 20003396       | 步进电机罩        | NEEDLE VIBRATOR UNIT COVER    | 1  |
| 24                         | 10000340       | 步进电机安装板沉头螺钉  | SCREW                         | 2  |
| 25                         | 10000512       | 步进电机罩螺钉      | SCREW                         | 4  |
| 26                         | 10009873       | 摆动架连杆轴小螺钉    | SCREW                         | 1  |

5. HAND LIFTER COMPONENTS  
 抬压脚部件



| 5. 抬压脚部件               |                |            |                              |    |
|------------------------|----------------|------------|------------------------------|----|
| HAND LIFTER COMPONENTS |                |            |                              |    |
| 序号<br>NO.              | 图号<br>Part No. | 描述         | Description                  | 数量 |
| 1                      | 10013325       | 调压螺钉       | PRESSER SPRING REGULATOR     | 1  |
| 2                      | 10011023       | 调压螺母       | NUT                          | 1  |
| 3                      | 10004439       | 调压导杆       | PRESSER GUIDE BAR            | 1  |
| 4                      | 10004505       | 调压弹簧       | PRESSER SPRING REGULATOR     | 1  |
| 5                      | 10027072       | 压杆轴套       | BUSHING                      | 1  |
| 6                      | 10000244       | 压杆导架       | SCREW                        | 1  |
| 7                      | 10013647       | 压杆导架螺钉     | PRESSER BAR GUIDE BRACKET    | 1  |
| 8                      | 10026790       | 压杆         | PRESSER BAR GUIDE BRACKET    | 1  |
| 9                      | 10010018       | 压脚螺钉       | SCREW                        | 1  |
| 10                     | 10003220       | 活压脚部件      | PRESSER FOOT ASM.            | 1  |
| 11                     | 10010016       | 压脚扳手螺钉组件   | SCREW                        | 1  |
| 12                     | 10011064       | 压脚扳手       | HAND LIFTER                  | 1  |
| 13                     | 10010027       | O形圈        | RUBBER RING                  | 1  |
| 14                     | 10002388       | 压脚扳手组件     | HAND LIFTER CAM COMPL.       | 1  |
| 15                     | 10013038       | 杠杆接头卡簧     | E-RING                       | 1  |
| 16                     | 10001099       | 杠杆接头螺钉     | CONNECTING ROD HINGE SCREW   | 1  |
| 17                     | 10000238       | 抬压脚后杠杆螺钉   | KNEE LIFTING LINK STEP-SCREW | 1  |
| 18                     | 10000239       | 抬压脚后杠杆复位弹簧 | KNEE LIFTING LINK SPRING     | 1  |
| 19                     | 10000239       | 抬压脚后杠杆     | KNEE LIFTING LINK SPRING     | 1  |
| 20                     | 10000599       | 抬压脚后杠杆销    | HINGE SCREW                  | 1  |
| 21                     | 10000241       | 抬压脚顶杆接头    | SWIVEL                       | 1  |
| 22                     | 10000242       | 顶杆螺母       | NUT                          | 1  |
| 23                     | 10000243       | 顶杆         | KNEE LIFTING JUNCTION ROD    | 1  |
| 24                     | 10000598       | 抬压脚拉杆      | KNEE LIFTING SIDE ROD LINK   | 1  |
| 25                     | 10000248       | 抬压脚拉杆螺钉    | HINGE SCREW                  | 1  |
| 26                     | 10005983       | 紧定螺钉       | SCREW                        | 1  |
| 27                     | 10002828       | 限位螺钉       | SCREW                        | 1  |
| 28                     | 10000246       | 前杠杆吊紧螺钉    | HINGE PIN                    | 1  |
| 29                     | 10000247       | 抬压脚前杠杆     | LIFTING LEVER LINK           | 1  |
| 30                     | 10009654       | 螺纹销开口挡圈    | SNAP RING                    | 2  |
| 31                     | 10002826       | 抬压脚升降板     | LIFTING LEVER                | 1  |
| 32                     | 10002827       | 升降板下螺钉     | HINGE SCREW                  | 1  |
| 33                     | 10000245       | 升降板上螺钉     | HINGE SCREW                  | 1  |

6. FEED MECHANISM COMPONENTS I  
 送料部件 I

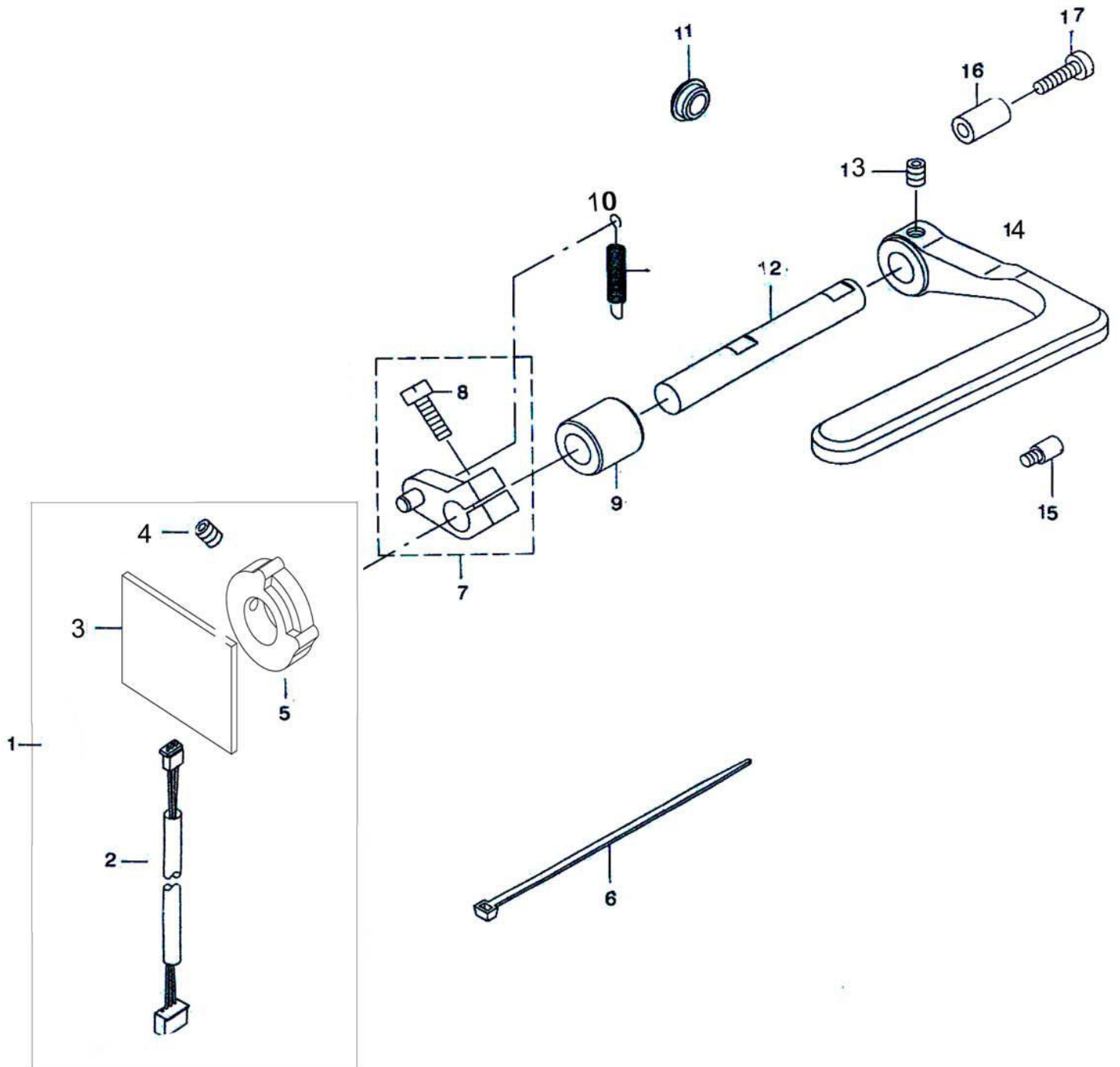


| 6. 送料部件 I                   |                |             |                              |    |
|-----------------------------|----------------|-------------|------------------------------|----|
| FEED MECHANISM COMPONENTS I |                |             |                              |    |
| 序号<br>NO.                   | 图号<br>Part No. | 描述          | Description                  | 数量 |
| 1                           | 10000273       | 送料轴         | HORIZONTAL FEED SHAFT        | 1  |
| 2                           | 10000279       | 牙架销         | FEED BASE SHAFT              | 1  |
| 3                           | 10000077       | 限位板III螺钉    | SCREW                        | 2  |
| 4                           | 10000347       | 牙架座螺钉       | SCREW                        | 2  |
| 5                           | 10000148       | 抬牙销紧固螺钉     | SCREW                        | 2  |
| 6                           | 10012494       | 牙架座         | FEED ROCKER                  | 1  |
| 7                           | 10000272       | 送料轴挡圈       | THRUST COLLAR ASM.           | 2  |
| 8                           | 10012494       | 送料轴套筒       | FEED ROCKER SHAFT METAL      | 1  |
| 9                           | 10012536       | 送料轴油封       | OIL SEAL                     | 1  |
| 10                          | 10004475       | 传动连杆曲柄螺母    | NUT                          | 1  |
| 11                          | 10000272       | 送料曲柄        | FEED ROCKER SHAFT CRANK ASM. | 1  |
| 12                          | 10000270       | 传动连杆曲柄螺钉    | SCREW                        | 2  |
| 13                          | 10000600       | 传动连杆曲柄      | CONNECTING ROD               | 1  |
| 14                          | 10003296       | 传动轴滑块       | FEED DRIVING ROCKER BLOCK    | 2  |
| 15                          | 10000275       | 倒送料曲柄 I     | FEED CHANGE ARM B ASM.       | 1  |
| 16                          | 10003295       | 传动连杆销       | PIN                          | 1  |
| 17                          | 10010314       | 牙架销垫片       | SPACER                       | 2  |
| 18                          | 10000275       | 牙架          | FEED BASE SHAFT              | 1  |
| 19                          | 10000406       | 送料牙螺钉       | SCREW                        | 2  |
| 20                          | 10000613       | 送料牙         | FEED DOG                     | 1  |
| 21                          | 10000281       | 抬牙销         | LINK SHAFT                   | 1  |
| 22                          | 10000347       | 牙架紧固螺钉      | SCREW                        | 1  |
| 23                          | 10000280       | 抬牙小连杆       | LINK                         | 1  |
| 24                          | 10003248       | 抬牙销挡圈       | E-RING                       | 1  |
| 25                          | 10000277       | 送料偏心凸轮      | HORIZONTAL FEED CAM          | 1  |
| 26                          | 10000268       | 偏心轮紧定螺钉     | SCREW                        | 2  |
| 27                          | 10000603       | 滚针轴承        | BEARING                      | 1  |
| 28                          | 10000288       | 送料偏心凸轮套     | ROD                          | 1  |
| 29                          | 10004475       | 传动连杆曲柄螺母    | NUT                          | 1  |
| 30                          | 10000602       | 送料偏心凸轮挡板    | HORIZONTAL FEED CAM COVER    | 1  |
| 31                          | 10000268       | 送料偏心凸轮挡板螺钉  | SCREW                        | 2  |
| 32                          | 10000264       | 送料连接传动轴螺钉   | SCREW                        | 4  |
| 33                          | 10000262       | 送料连接传动轴挡板   | PLATE A                      | 2  |
| 34                          | 10000262       | 送料连接传动轴     | FEED ADJUSTING               | 1  |
| 35                          | 10000601       | 限位板 I       | FEED ADJUSTING PRESSER       | 1  |
| 36                          | 10000266       | 限位板 I 螺钉    | SCREW                        | 1  |
| 37                          | 10000267       | 送料连接传动轴油封   | FEED ADJUSTING OIL SEAL      | 1  |
| 38                          | 10009654       | 倒送料板卡簧      | E-RING                       | 1  |
| 39                          | 10000284       | 倒送料板        | FEED REVERSAL LINK           | 1  |
| 40                          | 10000285       | 倒送料板螺钉      | SCREW                        | 1  |
| 41                          | 10012622       | 倒送料轴油封      | FEED CHANGING SHAFT OIL SEAL | 1  |
| 42                          | 10012629       | 倒送料轴前轴套     | METAL. A                     | 1  |
| 43                          | 10021315       | 倒送料曲柄 II 部件 | FEED CHANG ARM A ASM.        | 1  |
| 44                          | 10000347       | 倒送料曲柄 II 螺钉 | SCREW                        | 1  |
| 45                          | 10000286       | 倒送料曲柄销      | FEED ADJUSTING LINK PIN      | 1  |
| 46                          | 10000614       | 连接板         | FEED ADJUSTING ARM           | 1  |



|    |          |            |                       |   |
|----|----------|------------|-----------------------|---|
| 47 | 10011492 | 倒送料板螺母     | NUT                   | 1 |
| 48 | 10000285 | 倒送料板螺钉     | SCREW                 | 1 |
| 49 | 10000287 | 倒送料曲柄 II   | FEED CHANGE ARM A     | 1 |
| 50 | 10000378 | 倒送料轴挡圈     | THRUST COLLAR         | 1 |
| 51 | 10013590 | 倒送料轴挡圈螺钉   | SCREW                 | 2 |
| 52 | 10000274 | 倒送料轴       | FEED CHANGE SHAFT     | 1 |
| 53 | 10012418 | 倒送料曲柄 I 螺钉 | SCREW                 | 2 |
| 54 | 10010725 | 倒送料曲柄 I 螺母 | NUT                   | 1 |
| 55 | 10000276 | 倒送料轴后轴套    | METAL. B              | 1 |
| 56 | 10000289 | 复位弹簧钩      | FEED SPRING RACK      | 1 |
| 57 | 10000077 | 复位弹簧钩螺钉    | SCREW                 | 1 |
| 58 | 10000280 | 复位弹簧       | FEED ADJUSTING SPRING | 1 |
| 59 | 10000269 | 限位板 III    | TRGULATE PLATE        | 1 |
| 60 | 10002390 | 限位板 II     | TRGULATE PLATE        | 1 |
| 61 | 10002995 | 垫圈         | WASHER                | 2 |

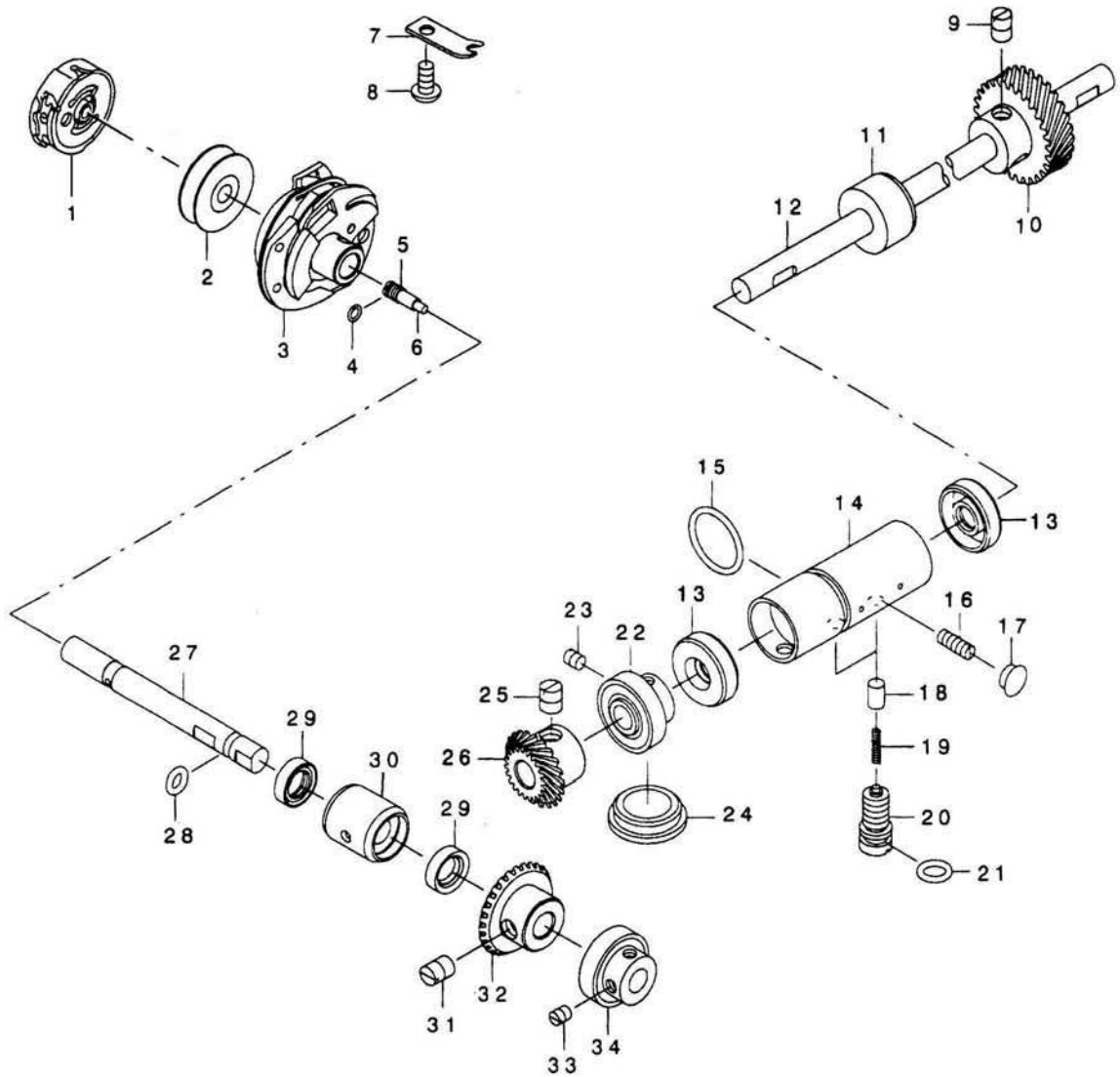
7. FEED MECHANISM COMPONENTS II  
送料部件 II



| 7. 送料部件 II                   |                |            |                                  |    |
|------------------------------|----------------|------------|----------------------------------|----|
| FEED MECHANISM COMPONENTS II |                |            |                                  |    |
| 序号<br>NO.                    | 图号<br>Part No. | 描述         | Description                      | 数量 |
| 1                            |                | 送布拨杆传感器组件  | FEED WRENCH SENSOR COMPONENTS    | 1  |
| 2                            | 10026359       | 送布拨杆传感器接线  | FEED WRENCH SENSOR WRIE          | 1  |
| 3                            | 10026223       | 送布拨杆传感器    | FEED WRENCH SENSOR               | 1  |
| 4                            | 10002853       | 螺钉         | SCREW                            | 1  |
| 5                            | 10026535       | 送布拨杆传感器电磁铁 | FEED WRENCH SENSOR ELECTROMAGNET | 1  |
| 6                            |                | 电线自锁夹      | CABLE BAND                       | 1  |
| 7                            | 20000150       | 倒缝曲柄组件     | FEED CRANK                       | 1  |
| 8                            | 10010095       | 倒缝曲柄组件螺钉   | SCREW                            | 1  |
| 9                            | 10000294       | 倒缝扳手轴套     | WRENCH METAL                     | 1  |
| 10                           | 10000687       | 倒缝扳手复位弹簧   | FEED SPRING                      | 1  |
| 12                           | 10000722       | 倒送料轴       | FEED SHAFT                       | 1  |
| 13                           | 10009187       | 倒送料轴紧定螺钉   | SCREW                            | 1  |
| 14                           | 20003390       | 倒送料扳手      | FEED WRENCH                      | 1  |
| 15                           | 10000723       | 倒缝扳手下限位销   | FEED DOWN LIMIT SHAFT            | 1  |

# 8. HOOK DRIVING SHAFT COMPONENTS I

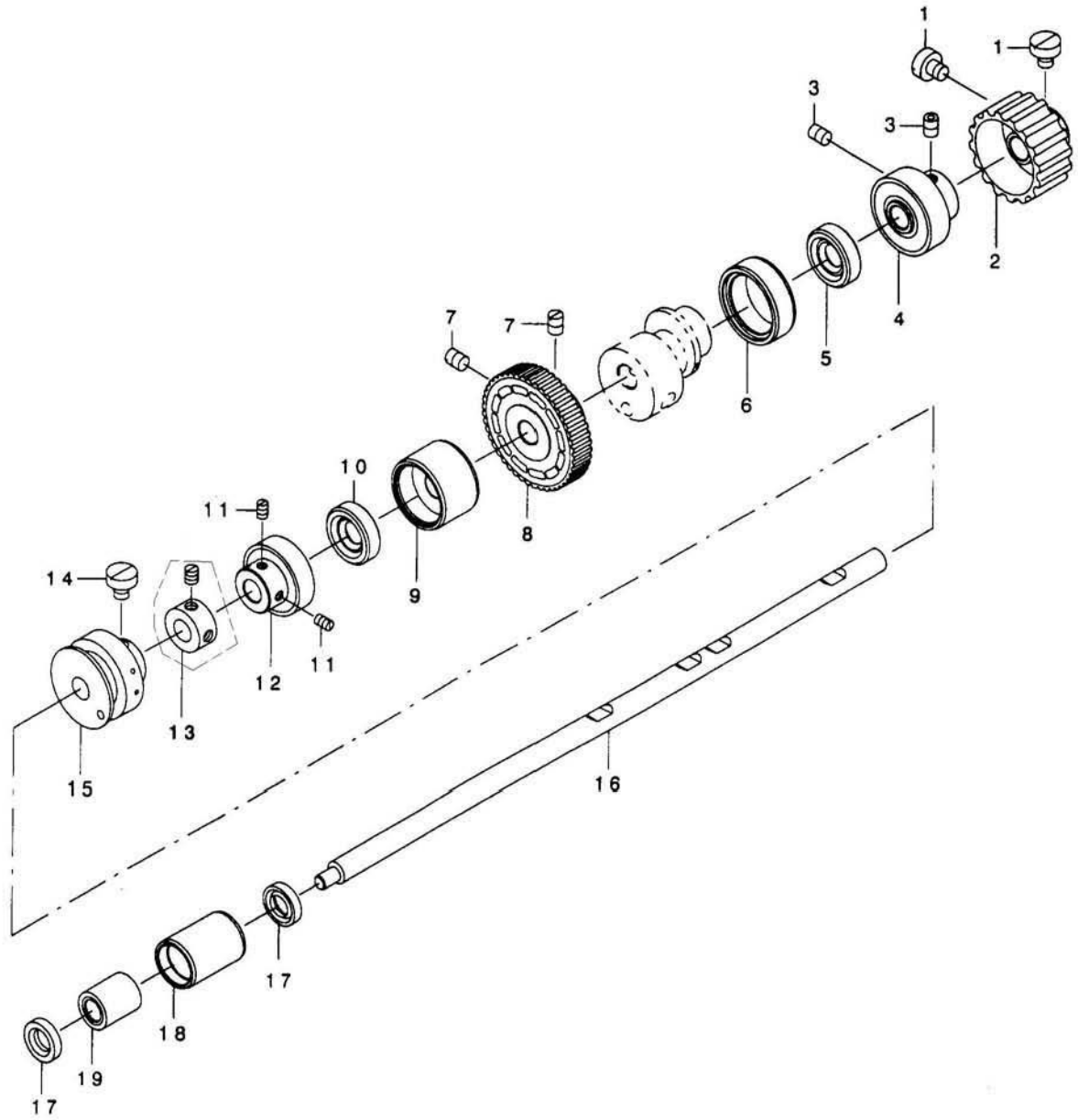
## 下轴部件 I



| 8. 下轴部件 I                       |                |              |                               |    |
|---------------------------------|----------------|--------------|-------------------------------|----|
| HOOK DRIVING SHAFT COMPONENTS I |                |              |                               |    |
| 序号<br>NO.                       | 图号<br>Part No. | 描述           | Description                   | 数量 |
| 1                               | 10003804       | 梭壳           | BOBBIN CASE ASM.              | 1  |
| 2                               | 10010377       | 梭心           | BOBBINS                       | 1  |
| 3                               | 10003806       | 旋梭           | HOOK COMPL. V                 | 1  |
| 4                               | 10000457       | 旋梭限油螺钉O形圈    | RUBBER RING                   | 1  |
| 5                               | 10010029       | 旋梭限油螺钉       | SCREW                         | 1  |
| 6                               | 10010063       | 下轴限油芯        | OIL WICK                      | 1  |
| 7                               | 10000456       | 旋梭定位板        | INNER HOOK STOPPER            | 1  |
| 8                               | 10010066       | 旋梭定位板螺钉      | SCREW                         | 1  |
| 9                               | 10003921       | 旋梭驱动轴圆柱斜齿轮螺钉 | SCREW                         | 2  |
| 10                              | 10000462       | 旋梭驱动轴圆柱斜齿轮   | HOOK DRIVING GEAR             | 1  |
| 11                              | 10000461       | 旋梭驱动轴后轴套     | HOOK DRIVING SHAFT REAR METAL | 1  |
| 12                              | 10000582       | 旋梭驱动轴        | HOOK DRIVING SHAFT            | 1  |
| 13                              | 10003797       | 旋梭驱动轴前轴套油封   | HOOK DRIVING SHAFT OIL SEAL   | 2  |
| 14                              | 10000581       | 旋梭驱动轴前轴套     | PUMP METAL                    | 1  |
| 15                              | 10000460       | 旋梭驱动轴前轴套O形圈  | RUBBER RING                   | 1  |
| 16                              | 10000463       | 旋梭驱动轴前轴套调节螺钉 | SCREW                         | 1  |
| 17                              | 10000091       | 调节螺钉油塞       | PLUG                          | 1  |
| 18                              | 10002399       | 柱塞           | PLUNGER                       | 2  |
| 19                              | 10014386       | 柱塞簧          | RUBBER SPRING                 | 2  |
| 20                              | 10000464       | 柱塞螺钉         | SCREW                         | 2  |
| 21                              | 10000465       | 柱塞螺钉O形圈      | RUBBER RING                   | 2  |
| 22                              | 10026221       | 旋梭驱动轴轴承      | HOOK SHAFT BEARING ASM.       | 1  |
| 23                              | 10000459       | 旋梭驱动轴轴承挡圈螺钉  | SCREW                         | 2  |
| 24                              | 10000616       | 旋梭驱动轴轴承油塞    | RUBBER PLUG                   | 1  |
| 25                              | 10003921       | 旋梭驱动轴伞齿螺钉    | SCREW                         | 2  |
| 26                              | 10010029       | 旋梭驱动轴伞齿轮     | HOOK GEAR                     | 1  |
| 27                              | 10003436       | 旋梭轴          | HOOK SHAFT                    | 1  |
| 28                              | 10003437       | 旋梭轴O形圈       | RUBBER RING                   | 1  |
| 29                              | 10003797       | 旋梭轴轴套油封      | HOOK SHAFT OIL SEAL           | 2  |
| 30                              | 10000581       | 旋梭轴轴套        | HOOK SHAFT FRONT METAL        | 1  |
| 31                              | 10003921       | 旋梭轴伞齿轮螺钉     | SCREW                         | 2  |
| 32                              | 10003937       | 旋梭轴伞齿轮       | HOOK GEAR                     | 1  |
| 33                              | 10000459       | 旋梭轴轴承挡圈螺钉    | SCREW                         | 2  |
| 34                              | 10026221       | 旋梭轴轴承        | HOOK SHAFT BEARING ASM.       | 1  |

9. HOOK DRIVING SHAFT COMPONENTS II

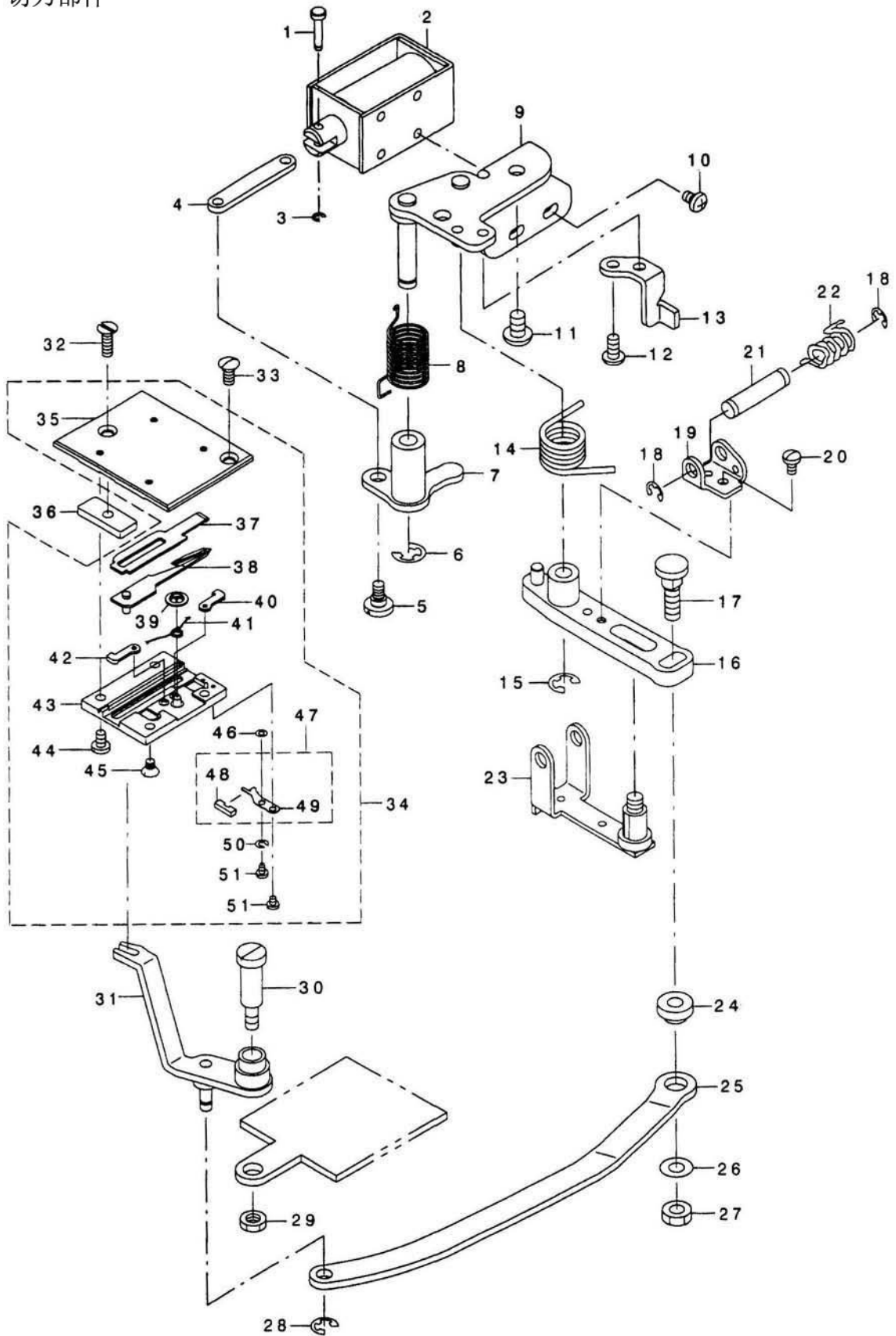
下轴部件 II



| 9. 下轴部件 II                       |                |           |                                |    |
|----------------------------------|----------------|-----------|--------------------------------|----|
| HOOK DRIVING SHAFT COMPONENTS II |                |           |                                |    |
| 序号<br>NO.                        | 图号<br>Part No. | 描述        | Description                    | 数量 |
| 1                                | 10000428       | 下轴带轮紧固螺钉  | SCREW                          | 2  |
| 2                                | 10003438       | 下轴带轮      | LOWER SHAFT SPROCKET           | 1  |
| 3                                | 10000314       | 下轴后轴承挡圈螺钉 | SCREW                          | 2  |
| 4                                | 10003581       | 下轴后轴承     | LOWER SHAFT REAR BEARING ASM.  | 1  |
| 5                                | 10003791       | 下轴后轴套油封   | OIL SEAL                       | 1  |
| 6                                | 10000426       | 下轴后轴套     | LOWER SHAFT REAR BUSH          | 1  |
| 7                                | 10003921       | 下轴斜齿轮螺钉   | SCREW                          | 2  |
| 8                                | 10000427       | 下轴斜齿轮     | HOOK DRIVING GEAR              | 1  |
| 9                                | 10000425       | 下轴中轴套     | LOWER SHAFT INNER METAL        | 1  |
| 10                               | 10003791       | 下轴中轴套油封   | OIL SEAL                       | 1  |
| 11                               | 10013590       | 下轴中轴承挡圈螺钉 | SCREW                          | 2  |
| 12                               | 10009778       | 下轴中轴承     | LOWER SHAFT INNER BEARING ASM. | 1  |
| 13                               | 10000378       | 下轴挡圈      | THRUST COLLAR ASM.             | 1  |
| 14                               | 10000428       | 剪线凸轮紧固螺钉  | SCREW                          | 2  |
| 15                               | 10000431       | 剪线凸轮      | THREAD TRIMMER CAM             | 1  |
| 16                               | 10000430       | 下轴        | LOWER SHAFT                    | 1  |
| 17                               | 10007409       | 下轴前轴套油封   | OIL SEAL                       | 2  |
| 18                               | 10000432       | 下轴前轴套     | LOWER SHAFT FRONT BEARING BUSH | 1  |
| 19                               | 10003608       | 下轴前轴承     | BEARING A 10                   | 1  |

# 10. THREAD TRIMMER MECHANISM COMPONENTS

## 切刀部件



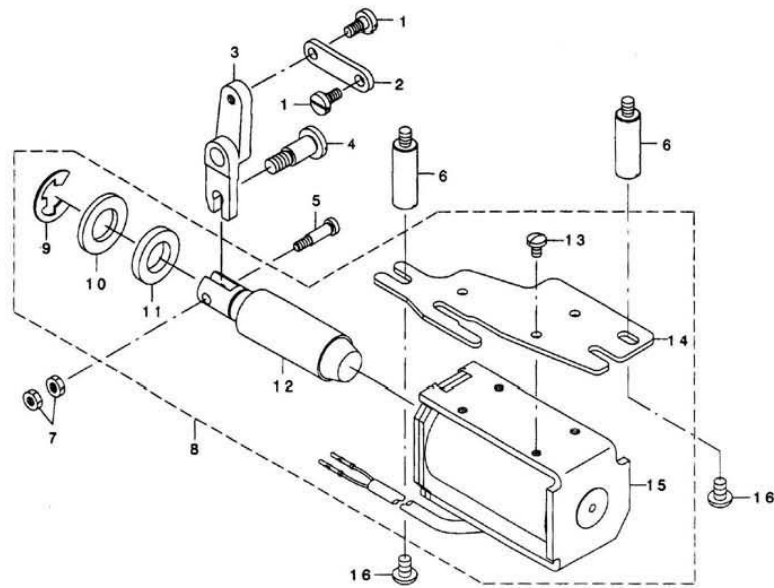


| 10. 切刀部件                            |                |          |                         |    |
|-------------------------------------|----------------|----------|-------------------------|----|
| THREAD TRIMMER MECHANISM COMPONENTS |                |          |                         |    |
| 序号<br>NO.                           | 图号<br>Part No. | 描述       | Description             | 数量 |
| 1                                   | 10000028       | 电磁铁销     | CLUTCH LINK PIN         | 1  |
| 2                                   | 10000030       | 切线电磁铁    | THREAD TRIMMER SOLENOID | 1  |
| 3                                   | 10003231       | 电磁铁销挡圈   | E-RING                  | 1  |
| 4                                   | 10000360       | 电磁铁连板    | CLUTCH LINK             | 1  |
| 5                                   | 10000359       | 驱动板螺钉    | HING SKEW               | 1  |
| 6                                   | 10005634       | 驱动板挡圈    | E-RING                  | 1  |
| 7                                   | 10000367       | 驱动板组件    | CLUTCH PLATE ASM        | 1  |
| 8                                   | 10000358       | 驱动板复位簧   | CLUTCH RETURN SPRING    | 1  |
| 9                                   | 10000024       | 凸轮从动器架组件 | BASE PLATE ASM          | 1  |
| 10                                  | 10003044       | 电磁铁固定螺钉  | SCREW                   | 3  |
| 11                                  | 10000077       | 驱动器紧固螺钉  | SCREW                   | 2  |
| 12                                  | 10009735       | 复位挡板螺钉   | SCREW                   | 2  |
| 13                                  | 10000587       | 曲柄复位挡板   | DRIVING ARM STOPPER     | 1  |
| 14                                  | 10000026       | 驱动曲柄复位簧  | KNIFE RETURN SPARING    | 1  |
| 15                                  | 10005634       | 驱动曲柄定位挡圈 | E-RING                  | 1  |
| 16                                  | 10005655       | 剪线驱动曲柄部件 | KNIFE DRIVING ARM ASM   | 1  |
| 17                                  | 10000025       | 连接销      | MOVING KNIFE LINK PIN   | 1  |
| 18                                  | 10012795       | 托板支承架挡圈  | E-RING                  | 2  |
| 19                                  | 10005636       | 托板支承架    | ROLLER ARM SEAT         | 1  |
| 20                                  | 10010016       | 托架支承架螺钉  | SCREW                   | 1  |
| 21                                  | 10005668       | 托板支架销    | ROLLER FULCRUM SHAFT    | 1  |
| 22                                  | 10005676       | 托板复位簧    | ROLLER RETURN SPRING    | 1  |
| 23                                  | 10005805       | 凸轮滚柱托板部件 | ROLLER ARM ASM          | 1  |
| 24                                  | 10000024       | 连接销套     | MOVING KNIFE LINK BASE  | 1  |
| 25                                  | 10000586       | 驱动连板     | MOVING KNIFE LINK       | 1  |
| 26                                  | 10005637       | 连接销垫片    | WASHER                  | 1  |
| 27                                  | 10005808       | 连接销螺母    | NUT                     | 1  |
| 28                                  | 10013038       | 切刀驱动架销挡圈 | E-RING                  | 1  |
| 29                                  | 10010725       | 切刀架螺母    | NUT                     | 1  |
| 30                                  | 10000031       | 切刀驱动架螺钉  | HINGE SCREW             | 1  |
| 31                                  | 10000023       | 切刀驱动架组件  | FORK KNIFE ASM          | 1  |
| 32                                  | 10000035       | 夹紧板螺钉    | SCREW                   | 1  |
| 33                                  | 10000033       | 切刀板定位螺钉  | SCREW                   | 1  |
| 34                                  | 10025157       | 切刀组件     | KNIFE UNIT              | 1  |
| 35                                  | 10000038       | 切刀板      | SLIDING PLATE           | 1  |
| 36                                  | 10000438       | 夹紧板      | FIXED PLATE             | 1  |
| 37                                  | 10000439       | 上切刀      | FIXED KNIFE             | 1  |
| 38                                  | 10000027       | 下切刀组件    | DRIVING KNIFE ASM       | 1  |
| 39                                  | 10000442       | 弹簧盖帽     | LOCATING SPRING WASHER  | 1  |
| 40                                  | 10000440       | 前刀钩      | KNIFE STOPPER, RIGHT    | 1  |
| 41                                  | 10000441       | 刀钩弹簧     | SPRING                  | 1  |
| 42                                  | 10000443       | 后刀钩      | KNIFE STOPPER, LEFT     | 1  |
| 43                                  | 10000037       | 切刀架      | KNIFE BASE              | 1  |
| 44                                  | 10000032       | 切刀架固定螺钉  | SCREW                   | 2  |
| 45                                  | 10000438       | 切刀架定位螺钉  | SCREW                   | 2  |
| 46                                  | 10000036       | 螺钉垫片     | WASHER                  | 1  |

|    |          |         |                 |   |
|----|----------|---------|-----------------|---|
| 47 | 10000445 | 弹簧片组件   | CLAMP PLATE ASM | 1 |
| 48 | 10002398 | 毛毡      | FELT            | 1 |
| 49 | 10000444 | 切刀弹簧片   | CLAMP PLATE     | 1 |
| 50 | 10003070 | 螺钉弹性垫片  | SPRING WASHER   | 1 |
| 51 | 10000445 | 切刀弹簧片螺钉 | SCREW           | 2 |

## 11. AUTOMATIC REVERSE FEED MECHANISM COMPONENTS

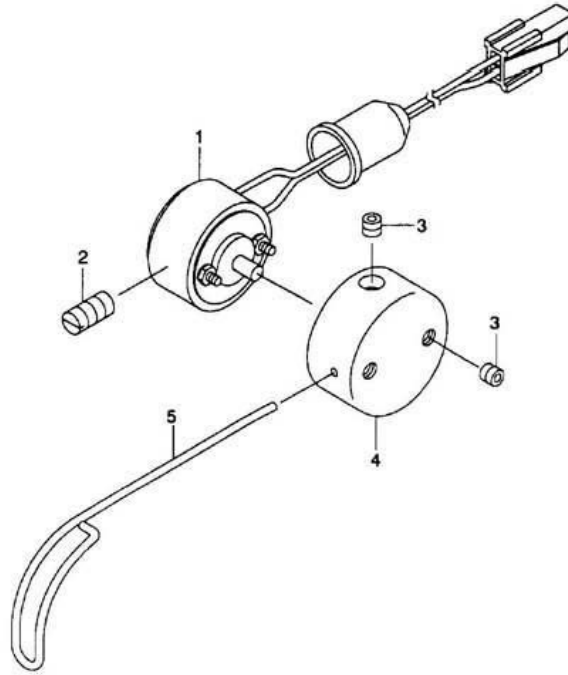
### 自动倒送料部件



| 11. 自动倒送料部件                                 |                |          |                               |    |
|---|----------------|----------|-------------------------------|----|
| AUTOMATIC REVERSE FEED MECHANISM COMPONENTS |                |          |                               |    |
| 序号<br>NO.                                   | 图号<br>Part No. | 描述       | Description                   | 数量 |
| 1   | 10003662       | 连接板螺钉    | HINGE SCREW                   | 2  |
| 2   | 10000450       | 连接板      | AUTOMATIC REVERSE FEED ARM    | 1  |
| 3   | 10003663       | 驱动轴曲柄    | AUTOMATIC REVERSE FEED ARM    | 1  |
| 4   | 10000451       | 驱动轴曲柄螺钉  | HINGE SCREW                   | 1  |
| 5   | 10000448       | 电磁铁驱动轴螺钉 | PLUNGER ARM PIN               | 1  |
| 6   | 10000449       | 固定板定位大螺钉 | BELT COVER STUD               | 2  |
| 7   | 10003662       | 电磁铁驱动轴螺母 | NTU                           | 2  |
| 8   | 10000446       | 倒缝电磁铁    | SOLENOID BASE ASM             | 1  |
| 9   | 10003232       | 电磁铁挡圈    | E-RING                        | 1  |
| 10  | 10000453       | 电磁铁限位板   | WASHER                        | 1  |
| 11  | 10000454       | 电磁铁垫片    | RUBBER PLUNGER                | 1  |
| 12  | 10000452       | 电磁铁驱动轴   | REVERSE FEED SOLENOID PLUNGER | 1  |
| 13  | 10009906       | 固定板螺钉    | SCREW                         | 3  |
| 14  | 10000447       | 倒缝电磁铁固定板 | REVERSE FEED SOLENOID BASE    | 1  |
| 15  | 10000455       | 倒缝电磁铁主体  | REVERSE FEED SOLENOID         | 1  |
| 16  | 10000077       | 固定板定位小螺钉 | SCREW                         | 2  |

## 12. THREAD FEEDER COMPONENTS

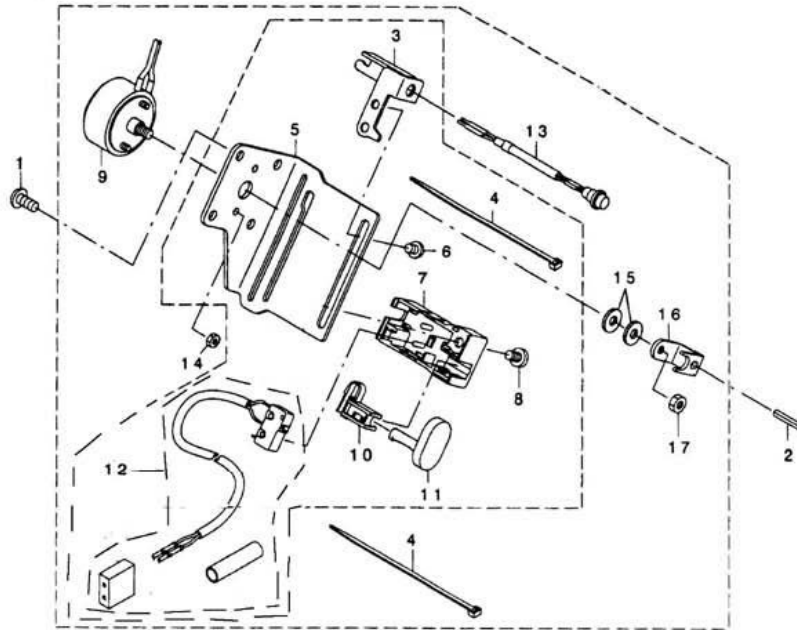
### 挑线部件



| 12. 挑线部件                 |                |            |                          |    |
|--------------------------|----------------|------------|--------------------------|----|
| THREAD FEEDER COMPONENTS |                |            |                          |    |
| 序号<br>NO.                | 图号<br>Part No. | 描述         | Description              | 数量 |
| 1                        | 10000496       | 挑线电磁铁      | FEEDER SOLENOID ASM      | 1  |
| 2                        | 10000320       | 挑线杆电磁铁紧固螺钉 | SCREW                    | 1  |
| 3                        | 10013590       | 电磁铁罩紧固螺钉   | SCREW                    | 3  |
| 4                        | 10000494       | 挑线电磁铁罩     | FEEDER WIRE FITTING BASE | 1  |
| 5                        | 10000495       | 挑线杆        | FEEDER WIRE              | 1  |

### 13. THREAD RELEASE SOLENOID COMPONENTS

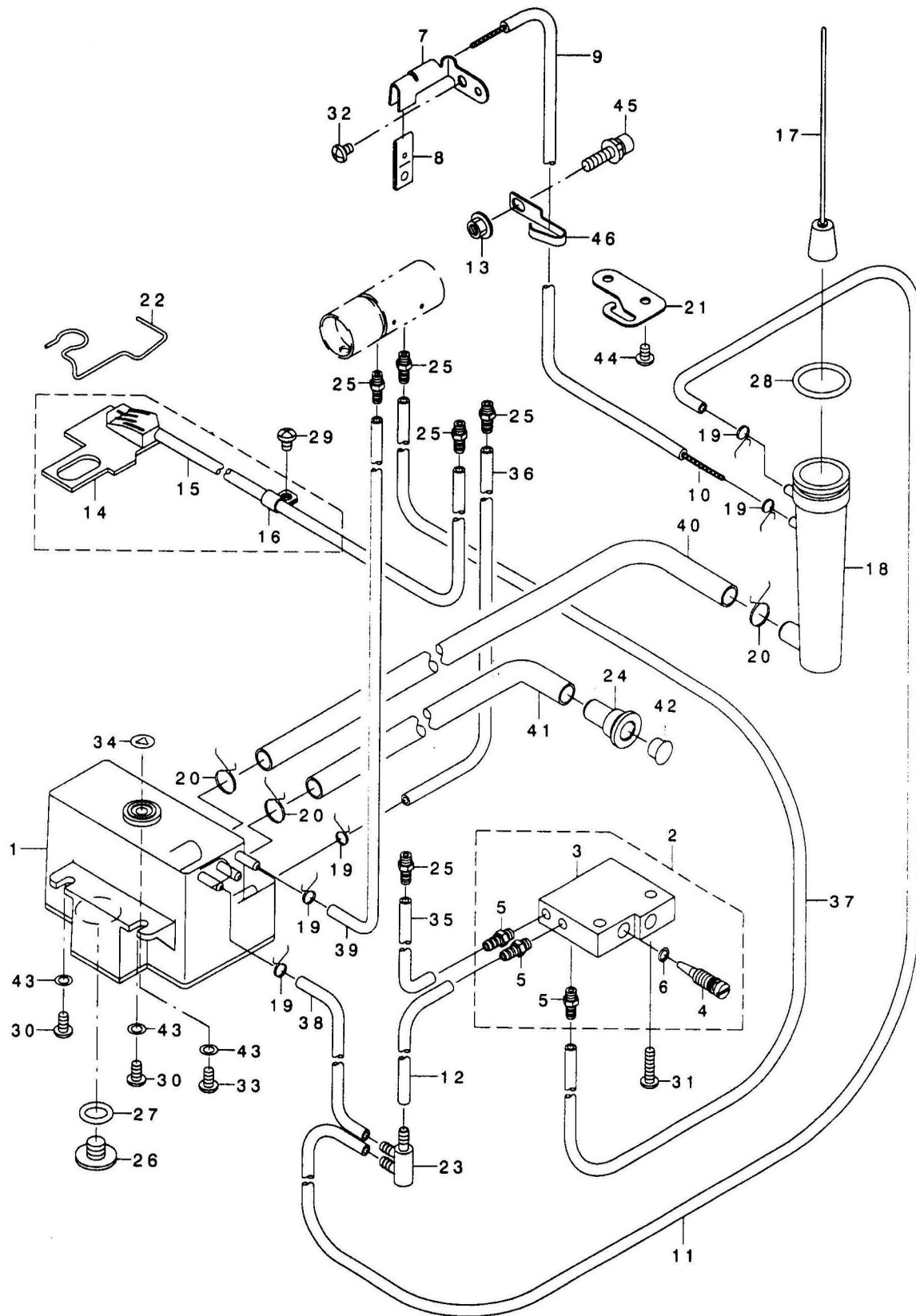
#### 松线及倒缝按钮部件



| 13. 松线及倒缝按钮部件                      |                |            |                               |    |
|------------------------------------|----------------|------------|-------------------------------|----|
| THREAD RELEASE SOLENOID COMPONENTS |                |            |                               |    |
| 序号<br>NO.                          | 图号<br>Part No. | 描述         | Description                   | 数量 |
| 1                                  | 10001281       | 电磁铁固定板固紧螺钉 | SCREW                         | 4  |
| 2                                  | 10009324       | 松线板弹簧销     | SPRING PIN                    | 1  |
| 3                                  | 10001271       | 指示灯固定架     | MANUAL SWITCH BASE GUIDE      | 1  |
| 4                                  |                | 电线自锁夹      | CABLE BAND                    | 1  |
| 5                                  | 10000502       | 松线电磁铁固定板   | MANUAL SWITCH BASE            | 1  |
| 6                                  | 10002400       | 指示灯固定架螺钉   | SCREW                         | 1  |
| 7                                  | 10000510       | 点动开关盒      | REVERSE FEED SWITCH COVER     | 1  |
| 8                                  | 10002940       | 开关盒固定螺钉    | SCREW                         | 1  |
| 9                                  | 10000507       | 松线电磁铁      | THREAD RELEASE SOLENOID COMPL | 1  |
| 10                                 | 10000511       | 开关弹簧       | REVERSE FEED SWITCH SUPPORT   | 1  |
| 11                                 | 10000597       | 按钮         | REVERSE FEED SWITCH SHAFT     | 1  |
| 12                                 | 10002569       | 电器开关       | REVERSE FEED CORD ASM         | 1  |
| 13                                 | 10000499       | 指示灯        | SW LED CABLE A ASM            | 1  |
| 14                                 | 10003025       | 电磁铁小螺母     | NUT                           | 2  |
| 15                                 | 10000497       | 垫片         | FRAME SIDE COVER GASKET       | 2  |
| 16                                 | 10000498       | 松线板        | THREAD RELEASE PUSH PLATE     | 1  |
| 17                                 | 10009471       | 电磁铁大螺母     | NUT                           | 1  |

14. LUBRICATION COMPONENTS

油路部件

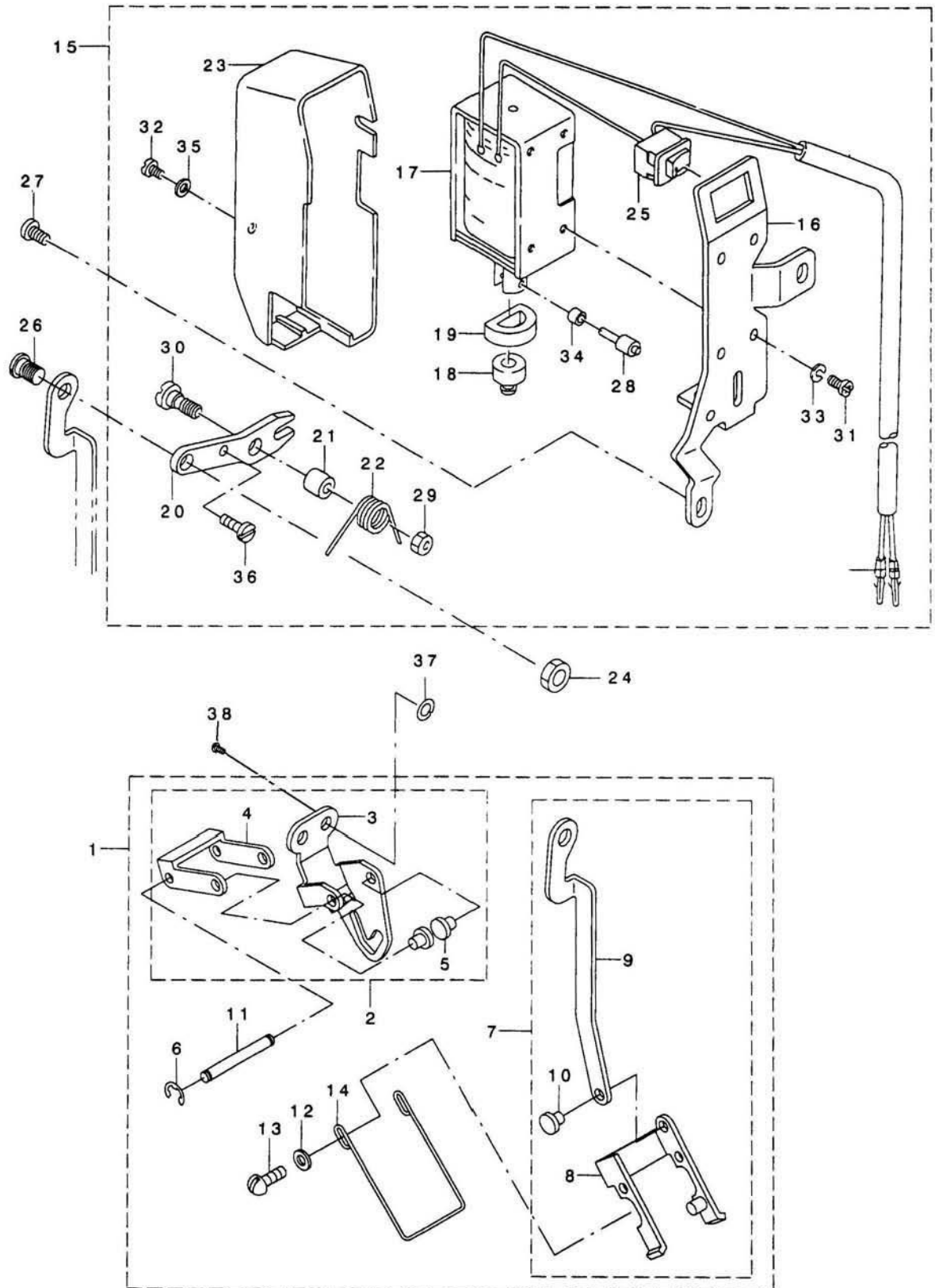


| 14. 油路部件               |                |               |                               |    |
|------------------------|----------------|---------------|-------------------------------|----|
| LUBRICATION COMPONENTS |                |               |                               |    |
| 序号<br>NO.              | 图号<br>Part No. | 描述            | Description                   | 数量 |
| 1                      | 10000570       | 油盒            | OIL TANK ASM.                 | 1  |
| 2                      | 20006610       | 油量调节阀组件       | HOOK OIL REGULATING ASM.      | 1  |
| 3                      | 10002401       | 油量调节阀         | HOOK OIL REGULATING           | 1  |
| 4                      | 10000566       | 油量调节杆         | HOOK OIL REGULATING SCREW     | 2  |
| 5                      | 10008779       | 油管接头          | LUBRICATION CONNECTOR         | 6  |
| 6                      | 10000567       | 油量调节阀O形圈      | RUBBER RING                   | 2  |
| 7                      | 10000419       | 机头润滑油管油毡安装板   | FACE LUBRICATION PRESSER      | 1  |
| 8                      | 10000418       | 机头润滑油管油毡      | BALANCE LUBRICATING           | 1  |
| 9                      | 10007800       | 机头润滑油管        | TUBE                          | 1  |
| 10                     | 10008068       | 机头润滑油线        | OUL WICK                      | 1  |
| 11                     | 10007800       | 中转箱供油管        | TUBE                          | 1  |
| 12                     | 10007800       | 调节阀回油管 I      | TUBE                          | 1  |
| 13                     | 10000422       | 油管夹螺钉         | SCREW                         | 1  |
| 14                     | 10000571       | 回油管油毡         | ONCE THROUGH OIL FELT         | 1  |
| 15                     | 10007800       | 回油管           | TUBE                          | 1  |
| 16                     | 10004476       | 回油管夹          | HOLDER                        | 1  |
| 17                     | 10000569       | 油标组件          | FLOATER ASM.                  | 1  |
| 18                     | 10008782       | 油杯            | FLOATER CASE                  | 1  |
| 19                     | 10008781       | 小油管紧固簧        | PIPE STOPPER A                | 20 |
| 20                     | 10008785       | 大油管紧固簧        | PIPE STOPPER B                | 3  |
| 21                     | 10000630       | 油管定位板         | LUBRICATION TANK PIPE GUIDE   | 1  |
| 22                     | 10000420       | 毛毡压杆          | ONCE THROUGH OIL FELT PRESSER | 1  |
| 23                     | 10007800       | 中转箱回油管        | TUBE                          | 1  |
| 24                     | 10008780       | 加油杯           | OIL INLE                      | 1  |
| 25                     | 10008779       | 油管接头          | LUBRICATION CONNECTOR         | 8  |
| 26                     | 10008783       | 油合短螺钉         | SCREW                         | 1  |
| 27                     | 10022793       | 油合O形圈         | RUBBER RING                   | 1  |
| 28                     | 10008777       | 油杯O形圈         | RUBBER RING                   | 1  |
| 29                     | 10008778       | 机头润滑油管油毡安装板螺钉 | SCREW                         | 1  |
| 30                     | 10000099       | 油合紧固螺钉        | SCREW                         | 2  |
| 31                     | 10000347       | 油量调节阀组件螺钉     | SCREW                         | 2  |
| 32                     | 10008778       | 回油管夹螺钉        | SCREW                         | 1  |
| 33                     | 10009900       | 油合长螺钉         | SCREW                         | 1  |
| 34                     | 10000417       | 锁紧垫片          | STOPPER                       | 1  |
| 35                     | 10007800       | 旋梭进油管         | TUBE                          | 1  |
| 36                     | 10007800       | 吸油管           | TUBE                          | 1  |
| 37                     | 10007800       | 油泵出油管 II      | TUBE                          | 1  |
| 38                     | 10007800       | 油泵出油管 I       | TUBE                          | 1  |
| 39                     | 10007800       | 调节阀回油管 II     | TUBE                          | 1  |
| 40                     | 10007806       | 油杯大油管         | TUBE B                        | 1  |
| 41                     | 10007806       | 总进油管          | TUBE B                        | 1  |
| 42                     | 10000405       | 总进油管油塞        | RUBBER PLUG                   | 1  |
| 43                     | 10000417       | 油泵紧固螺钉垫片      | WASHER                        | 1  |
| 44                     | 10000098       | 油管定位板螺钉       | SCREW                         | 2  |
| 45                     | 10000157       | 中转箱固定螺钉       | SCREW                         | 2  |
| 46                     | 10000082       | 油管夹           | LUBRICATING OIL WICK STOPPER  | 1  |

|    |          |          |             |   |
|----|----------|----------|-------------|---|
| 47 | 10000421 | 机头供油中转箱  | OIL BOX     | 1 |
| 48 | 10000079 | 中转箱O形圈   | RUBBER RING | 1 |
| 49 | 10000075 | 中转箱O形圈螺钉 | SCREW       | 1 |
| 50 | 10000091 | 调节阀油塞    | RUBBER PLUG | 1 |
| 51 | 10002396 | 油杯密封套    | RUBBER PLUG | 1 |



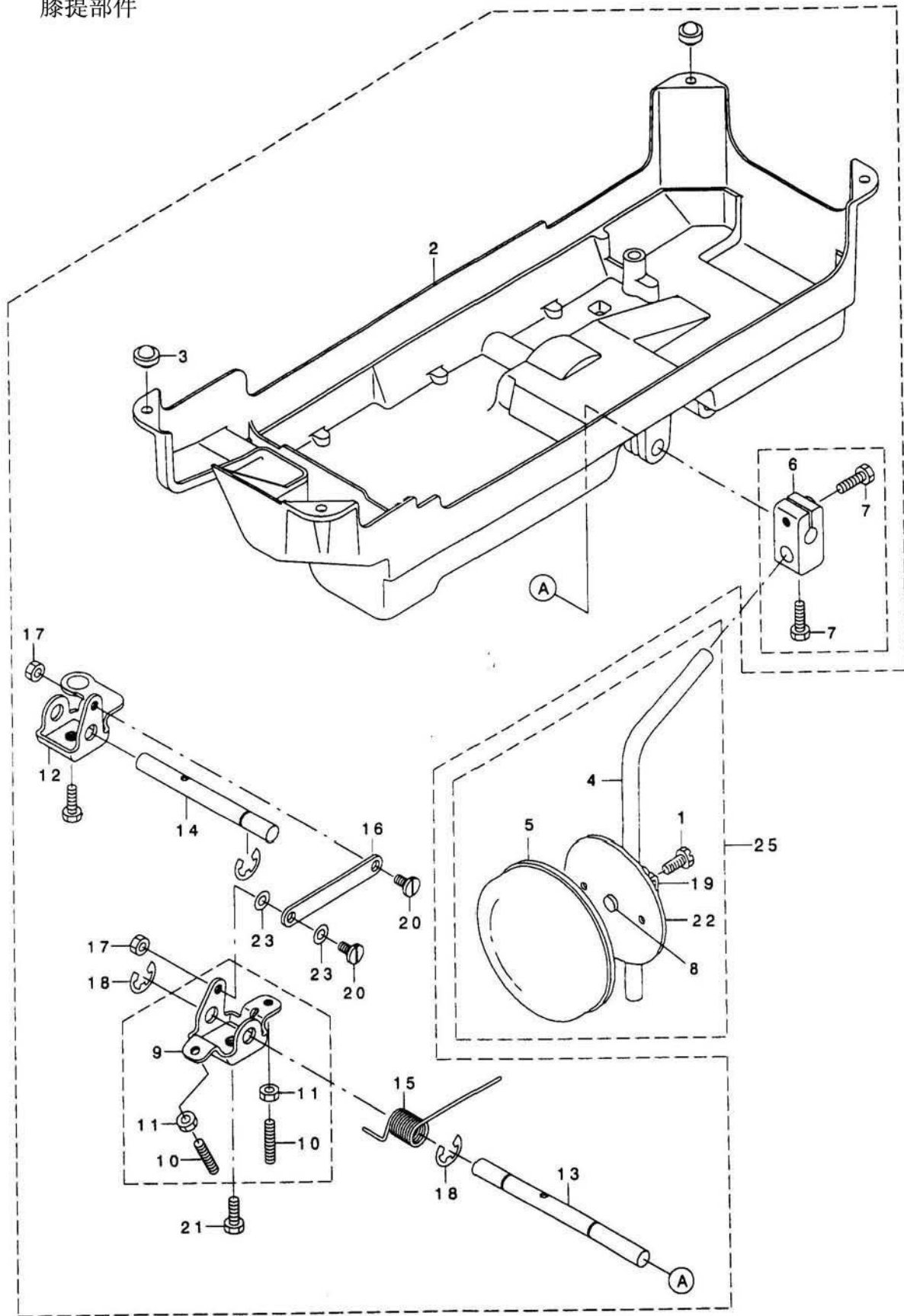
15. WIPER MECHANISM COMPONENTS  
 拨线部件



| 15. 拨线部件                   |                |           |                          |    |
|----------------------------|----------------|-----------|--------------------------|----|
| WIPER MECHANISM COMPONENTS |                |           |                          |    |
| 序号<br>NO.                  | 图号<br>Part No. | 描述        | Description              | 数量 |
| 1                          | 10000054       | 拨线器组件     | WIPER ASM                | 1  |
| 2                          | 10000533       | 拨线器架组件    | WIPER BASE ASM           | 1  |
| 3                          | 10000532       | 拨线器固定架    | WIPER BASE               | 1  |
| 4                          | 10000531       | 拨线小连板     | WIPER LINK 1             | 1  |
| 5                          | 10000045       | 小连板连接销    | PIN                      | 2  |
| 6                          | 10003248       | 挡圈        | E-RING                   | 2  |
| 7                          | 10000530       | 驱动板组件     | WIPER LINK COMPL         | 1  |
| 8                          | 10000529       | 拨线架       | WIPER LINK ASM. 2        | 1  |
| 9                          | 10000634       | 驱动板       | WIPPER LINK              | 1  |
| 10                         | 10000045       | 驱动板连接销    | PIN                      | 1  |
| 11                         | 10000050       | 拨线杆架连接销   | WIPER LINK SHAFT         | 1  |
| 12                         | 10000051       | 拨线杆垫片     | WASHER                   | 2  |
| 13                         | 10000052       | 拨线杆螺钉     | SCREW                    | 2  |
| 14                         | 10000053       | 拨线杆       | WIPER                    | 1  |
| 15                         | 10000049       | 拨线电磁铁组件   | WIPER SOLENOID ASM       | 1  |
| 16                         | 10000044       | 拨线电磁铁固定架  | WIPER BASE               | 1  |
| 17                         | 10000046       | 拨线电磁铁     | WIPER SOLENOID           | 1  |
| 18                         | 10012488       | 铁芯复位垫     | WIPER RUBBER A           | 1  |
| 19                         | 10005739       | 铁芯橡皮垫     | WIPER RUBBER B           | 1  |
| 20                         | 10000047       | 拨线传动板     | WIPER LINK               | 1  |
| 21                         | 10005769       | 轴位螺钉定位套   | WIPER HINGE SCREW COLLAR | 1  |
| 22                         | 10005770       | 传动板复位簧    | WIPER SPRING             | 1  |
| 23                         | 10005724       | 拨线器罩      | WIPER COVER              | 1  |
| 24                         | 10000100       | 驱动板螺钉螺母   | NUT                      | 1  |
| 25                         | 10000046       | 拨线器开关     | POWER SWITCH             | 1  |
| 26                         | 10000042       | 驱动板轴位螺钉   | HINGE SCREW              | 1  |
| 27                         | 10000098       | 拨线电磁铁架螺钉  | SCREW                    | 2  |
| 28                         | 10005719       | 铁芯传动销     | WIPER SOLENOID PIN       | 1  |
| 29                         | 10005735       | 传动板轴位螺钉螺母 | NUT                      | 1  |
| 30                         | 10000048       | 传动板轴位螺钉   | HINGE SCREW              | 1  |
| 31                         | 10003036       | 拨线电磁铁安装螺钉 | SCREW                    | 4  |
| 32                         | 10003036       | 拨线器罩螺钉    | SCREW                    | 1  |
| 33                         | 10003082       | 安装螺钉垫圈    | SPRING WASHER            | 4  |
| 34                         | 10005769       | 传动销滚柱     | WIPER LINK COLLAR        | 1  |
| 35                         | 10002998       | 拨线器罩螺钉垫圈  | WASHER                   | 1  |
| 36                         | 10008458       | 弹簧复位螺钉    | SCREW                    | 1  |
| 37                         | 10000043       | 拨线器固定螺钉垫片 | WASHER                   | 2  |
| 38                         | 10000042       | 拨线器固定螺钉   | SCREW                    | 1  |

16. UNDER COVER COMPONENTS

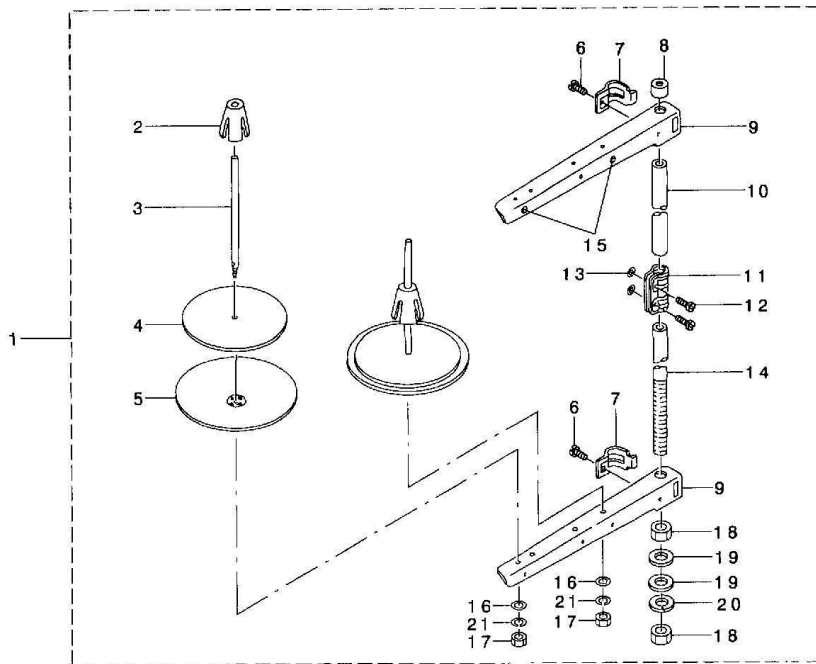
膝提部件



| 16. 底座部件               |                |            |                         |    |
|------------------------|----------------|------------|-------------------------|----|
| UNDER COVER COMPONENTS |                |            |                         |    |
| 序号<br>NO.              | 图号<br>Part No. | 描述         | Description             | 数量 |
| 1                      | 10008383       | 膝控限位架      | BRACKET                 | 1  |
| 2                      | 10003895       | 双向曲柄限位调节螺柱 | SCREW                   | 2  |
| 3                      | 10003890       | 双向曲柄限位调节螺母 | NUT                     | 2  |
| 4                      | 10003898       | 双向曲柄定位螺钉   | SCREW                   | 1  |
| 5                      | 10008466       | 抬压脚轴       | KNEE PRESS ROD          | 1  |
| 6                      | 10012677       | 复位弹簧       | SPRING                  | 1  |
| 7                      | 10002559       | 挡圈         | E-RING                  | 1  |
| 8                      | 10012631       | 抬压脚顶杆      | KNEE LIFTER PRESSER ROD | 1  |
| 9                      | 10000011       | 油盘         | UNDER COVER ASM         | 1  |
| 10                     | 10002613       | 接头螺栓       | SCREW                   | 2  |
| 11                     | 10003896       | 操作杆接头      | BRACKET                 | 1  |
| 12                     | 10003901       | 操纵杆        | KNEE PAD UPRIGHT SHAFT  | 1  |
| 13                     | 10003894       | 接头螺钉       | SCREW                   | 1  |
| 14                     | 10003897       | 操纵杆接头      | KNEE PAD PLATE SUPPORT  | 1  |
| 15                     | 10003891       | 操纵板        | KNEE PAD PLATE ASM      | 1  |
| 16                     | 10003900       | 操纵杆垫       | KNEE PAD PLATE RUBBER   | 1  |
| 17                     | 10004223       | 操纵杆软垫      | KNEE PAD PLATE COVER    | 1  |
| 18                     | 10009985       | 操纵杆部件      | KNEE PAD PLATE ASM      | 1  |
| 19                     | 10000010       | 风扇铁丝网      | WIRE OF FAN             | 2  |
| 20                     | 10000012       | 风扇组件       | FAN ASM                 | 2  |
| 21                     | 10008228       | 大线夹        | COLLET                  | 2  |
| 22                     | 10005309       | 线夹螺钉       | SCREW                   | 3  |
| 23                     | 10008228       | 小线夹        | COLLET                  | 1  |
| 24                     | 10003416       | 风扇螺钉       | SCREW                   | 8  |

17. THREAD STAND COMPONENTS

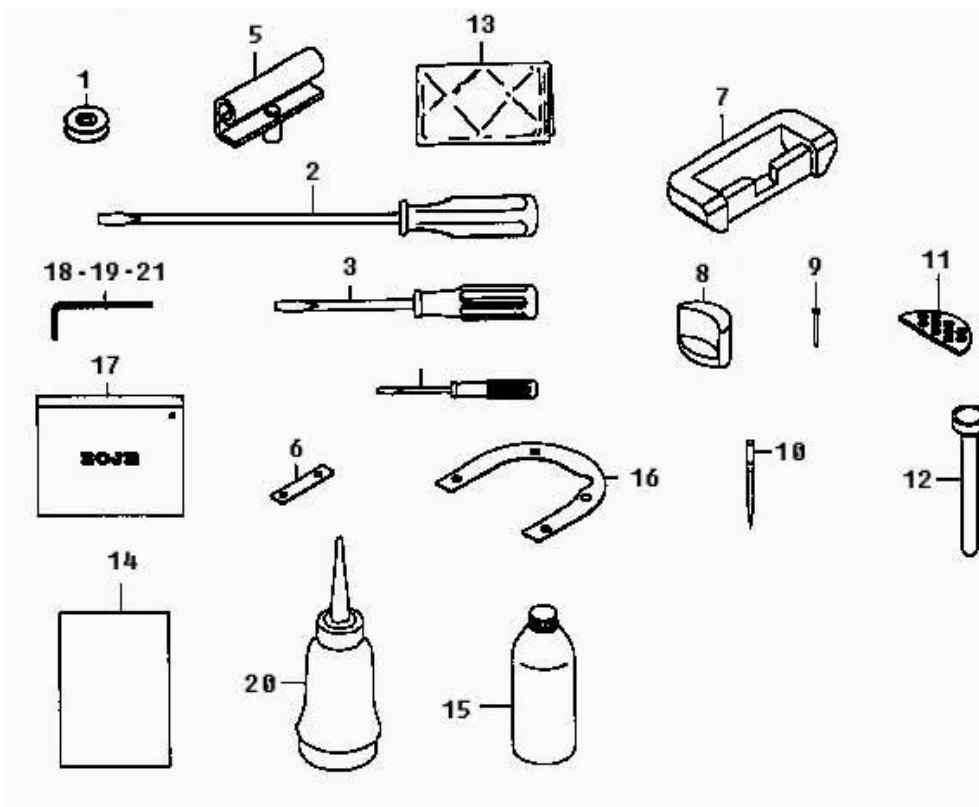
二线架部件



| 18. 附件                      |                |     |                  |    |
|-----------------------------|----------------|-----|------------------|----|
| ACCESSORIES PART COMPONENTS |                |     |                  |    |
| 序号<br>NO.                   | 图号<br>Part No. | 描述  | Description      | 数量 |
| 1                           | 10024216       | 二线架 | THREAD STAND ASM | 1  |

## 18. ACCESSORIE PART COMPONENTS

附件



| 18. 附件                     |                |         |                           |    |
|----------------------------|----------------|---------|---------------------------|----|
| ACCESSORIE PART COMPONENTS |                |         |                           |    |
| 序号<br>NO.                  | 图号<br>Part No. | 描述      | Description               | 数量 |
| 1                          | 10010377       | 梭心      | BOBBINS                   | 1  |
| 2                          | 10010994       | 大螺丝刀    | SCREW DRIVER, LARGE       | 1  |
| 3                          | 10010995       | 中螺丝刀    | SCREW DRIVER, MIDDLE      | 1  |
| 4                          | 10013185       | 小螺丝刀    | SCREW DRIVER, SMALL       | 1  |
| 5                          | 10004466       | 机头连接钩部件 | HINGE COMPL               | 3  |
| 6                          | 10001242       | 垫板      | SPACER                    | 1  |
| 7                          | 10006286       | 机头连接钩座  | RUBBER CUSHION            | 3  |
| 8                          | 10013113       | 油盘支座    | FRAME BUBBER CUSHION      | 2  |
| 9                          | 10003889       | 油盘座钉    | NAIL                      | 8  |
| 10                         | 10003366       | 机针      | NEEDLE                    | 1  |
| 11                         | 10013101       | 机头连接钩座钉 | WASHER                    | 2  |
| 12                         | 10012631       | 抬压脚顶杆   | KNEE LIFTER PRESSER ROD   | 1  |
| 13                         | 10004971       | 机头塑料膜   | VINYL COVER               | 1  |
| 14                         |                | 合格证部件   | EC PRODUCTION DECLARATION |    |
| 15                         | 10004455       | 油箱      | DEFRIX OIL NO. 1          | 1  |
| 16                         | 10002512       | 推板垫圈    | SPACER                    | 1  |
| 17                         | 10001177       | 机头罩     | ACCESSORIE BAG            | 1  |
| 18                         | 10009683       | 内六角扳手   | WRENCH                    | 1  |
| 19                         | 10009686       | 内六角扳手   | WRENCH                    | 1  |
| 20                         | 10013294       | 小油壶     | OILER ASM                 | 1  |
| 21                         | 10009685       | 内六角扳手   | HEXAGONAL WRENCH KEY      | 3  |

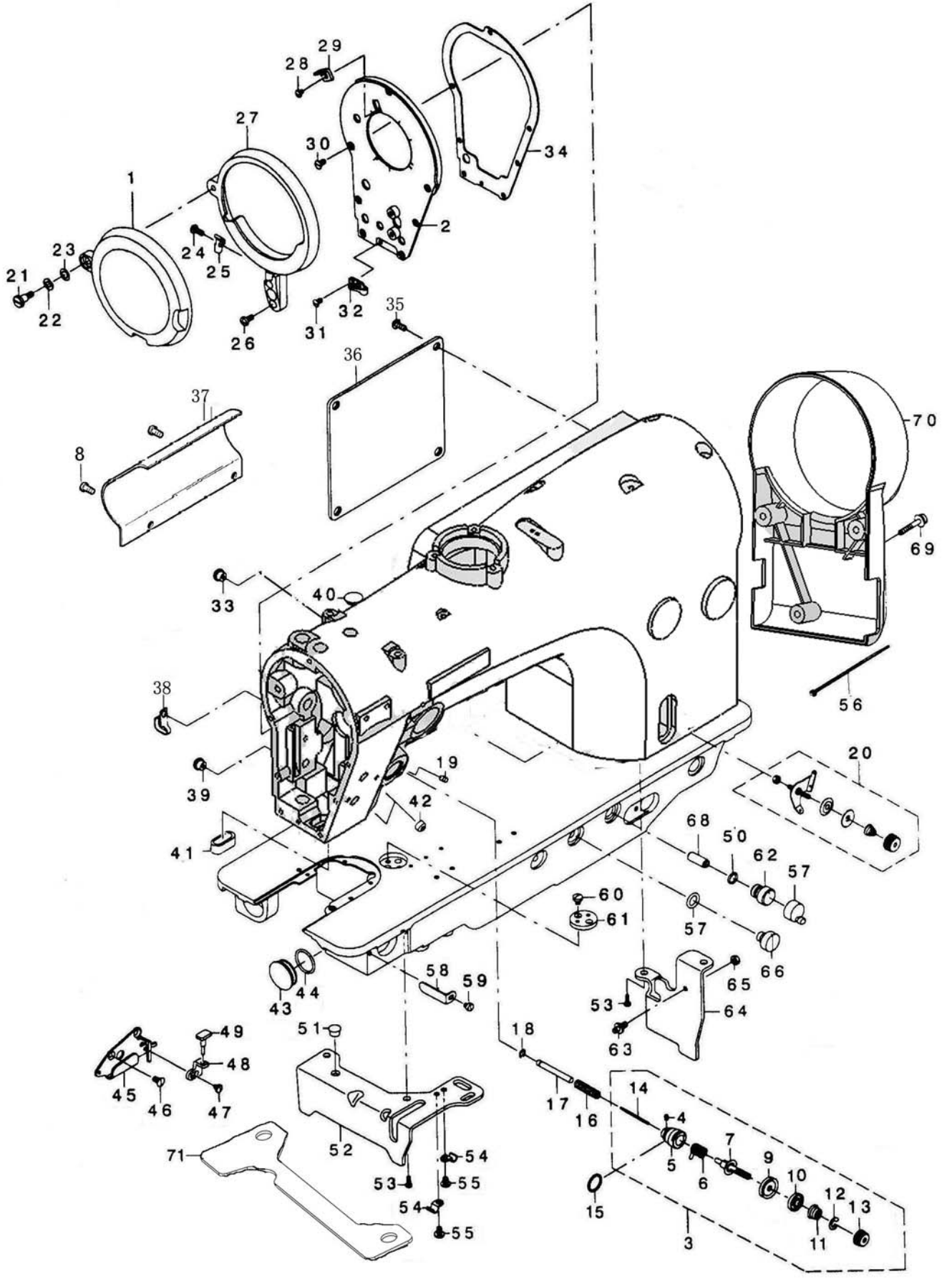
# CONTENTS

## 目录

|   |    |
|---|----|
| 1. FRAME & MISCELLANEOUS COVER COMPONENTS I .....           | 01 |
| 机体部件 I  |    |
| 2. FRAME & MISCELLANEOUS COVER COMPONENTS II .....          | 04 |
| 机体部件 II   |    |
| 3. MAIN SHAFT & THREAD TAKE-UP & NEEDLE BAR COMPONENTS..... | 07 |
| 挑线刺布部件  |    |
| 4. NEEDLE VIBRATOR COMPONENTS.....                          | 10 |
| 摆针部件  |    |
| 5. HAND LIFTER COMPONENTS.....                              | 12 |
| 抬压脚部件   |    |
| 6. FEED MECHANISM COMPONENTS I .....                        | 14 |
| 送料部件 I  |    |
| 7. FEED MECHANISM COMPONENTS II .....                       | 16 |
| 送料部件 II   |    |
| 8. HOOK DRIVING SHAFT COMPONENTS I .....                    | 18 |
| 下轴部件 I  |    |
| 9. HOOK DRIVING SHAFT COMPONENTS II .....                   | 20 |
| 下轴部件 II   |    |
| 10. THREAD TRIMMER MECHANISM COMPONENTS.....                | 22 |
| 切刀部件.   |    |
| 11. AUTOMATIC REVERSE FEED MECHANISM COMPONENTS.....        | 24 |
| 自动倒送料部件   |    |
| 12. THREAD FEEDER COMPONENTS.....                           | 26 |
| 挑线部件  |    |
| 13. THREAD RELEASE SOLENOID COMPONENTS.....                 | 28 |
| 松线及倒缝按钮部件   |    |
| 14. LUBRICATION COMPONENTS.....                             | 30 |
| 油路部件  |    |
| 15. WIPER MECHANISM COMPONENTS.....                         | 33 |
| 拨线部件  |    |
| 16. UNDER COVER COMPONENTS.....                             | 35 |
| 膝提部件  |    |
| 17. THREAD STAND COMPONENTS.....                            | 37 |
| 二线架部件   |    |
| 18. ACCESSORIE PART COMPONENTS.....                         | 38 |
| 附件  |    |

1. 机体部件 I

FRAME & MISCELLANEOUS COVER COMPONENTS I



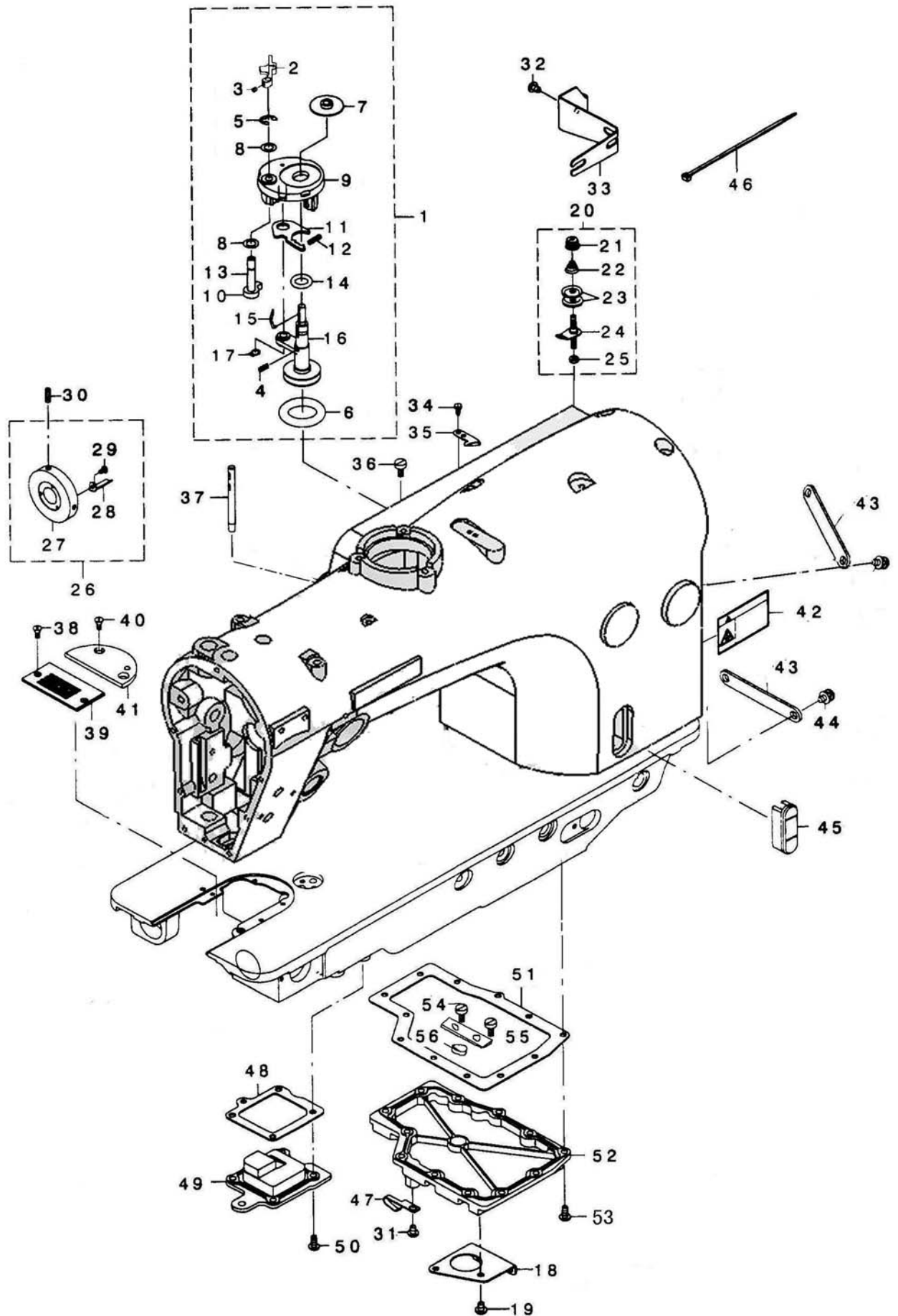


| 1. 机体部件 I                              |                |          |   |    |
|--|----------------|----------|---|----|
| FRAME&MISCELLANEOUS COVER COMPONENTS I |                |          |   |    |
| 序号<br>NO.                              | 件号<br>Part No. | 描述       | Description                             | 数量 |
| 1                                      | 20003377       | 挑线盘防护罩组件 | BALANCE COVER                           | 1  |
| 2                                      | 10000122       | 面板组件     | FACE PLATE COMPL.                       | 1  |
| 3                                      | 10000657       | 夹线器组件    | THREAD TENSION ASM.                     | 1  |
| 4                                      | 10004200       | 夹线螺钉紧固螺钉 | SCREW                                   | 1  |
| 5                                      | 10000120       | 夹线器座     | THREAD TENSION ROD BASE ASM.            | 1  |
| 6                                      | 10000115       | 挑线簧      | TAKE-UP SPRING                          | 1  |
| 7                                      | 10000123       | 螺钉       | THREAD TENSION ROD COMPL.               | 1  |
| 8                                      | 10001281       | 螺钉       | SCREW                                   | 2  |
| 9                                      | 10000154       | 过线盘焊接    | THREAD TENSION DISK COMPL.              | 1  |
| 10                                     | 10000116       | 松线板      | TENSION DISC HOLDER                     | 1  |
| 11                                     | 10000659       | 夹线簧      | TENSION SPRING                          | 1  |
| 12                                     | 10004090       | 垫圈       | ROTATION STOPPER                        | 1  |
| 13                                     | 10004178       | 螺母       | THREAD TENSION NUT                      | 1  |
| 14                                     | 10000660       | 松线钉      | THREAD RELEASE PIN                      | 1  |
| 15                                     | 10000088       | 夹线器O形圈   | RUBBER RING                             | 1  |
| 16                                     | 10000087       | 松线杆复位弹簧  | THREAD RELEASE PIN SPRING               | 1  |
| 17                                     | 10000105       | 松线杆      | THREAD RELEASE AUXILIARY PIN            | 1  |
| 18                                     | 10009653       | 挡圈       | E-RING                                  | 1  |
| 19                                     | 10002434       | 螺钉       | SCREW                                   | 1  |
| 20                                     | 10000131       | 中过线器组件   | PRE-TENSION CONTROLLER ASM.             | 1  |
| 21                                     | 10000107       | 螺钉       | HINGE SCREW                             | 1  |
| 22                                     | 10000106       | 护盖罩窗弹簧垫  | WAVED WASHER                            | 1  |
| 23                                     | 10000109       | 垫片       | WASHER                                  | 1  |
| 24                                     | 10000098       | 螺钉       | SCREW                                   | 1  |
| 25                                     | 10000083       | 护盖弹簧片    | SPRING                                  | 1  |
| 26                                     | 10000099       | 螺钉       | SCREW                                   | 1  |
| 27                                     | 20003377       | 挑线盘防护盖   | BALANCE COVER BASE                      | 1  |
| 28                                     | 10009743       | 螺钉       | SCREW                                   | 1  |
| 29                                     | 10000108       | 面板刀片     | TAKE-UP THREAD CUTTER                   | 1  |
| 30                                     | 10000101       | 螺钉       | SCREW                                   | 7  |
| 31                                     | 10009890       | 螺钉       | SCREW                                   | 1  |
| 32                                     | 10000102       | 导线架      | SPRING GUARD                            | 1  |
| 33                                     | 10000091       | 左侧小油塞    | RUBBER PLUG                             | 1  |
| 34                                     | 10000103       | 面板垫      | FACE PLATE PACKING                      | 1  |
| 35                                     | 10001281       | 螺钉       | SCREW                                   | 6  |
| 36                                     | 20003368       | 后盖板      | SIDE PLATE                              | 1  |
| 37                                     | 20003367       | 电线压盖     | CONNECTING ROD                          | 1  |
| 38                                     | 10000092       | 小线夹      | UPPER SHAFT FRONT METAL OIL WIRE HOLDER | 1  |
| 39                                     | 10000090       | 摆动架销油塞   | RUBBER PLUG                             | 1  |
| 40                                     | 10011099       | 顶油塞      | RUBBER PLUG                             | 3  |
| 41                                     | 10000089       | 摆动架槽框    | ARM OIL SHIELD                          | 1  |
| 42                                     | 10000086       | 油塞       | DRIVING STOPPER RUBBER                  | 2  |
| 43                                     | 10000095       | 旋梭箱铜塞    | GEAR BOX CAP                            | 1  |
| 44                                     | 10000189       | 铜塞O形圈    | RUBBER RING                             | 1  |
| 45                                     | 10000084       | 过线板      | BALANCE THREAD GUIDE                    | 1  |
| 46                                     | 10000101       | 螺钉       | SCREW                                   | 2  |

|    |          |          |                           |   |
|----|----------|----------|---------------------------|---|
| 47 | 10021329 | 螺钉       | SCREW                     | 1 |
| 48 | 10000104 | 挑线簧定位板   | SPRING GUARD              | 1 |
| 49 | 10000645 | 挑线簧定位橡胶  | RUBBER STOPPER            | 1 |
| 50 | 10012139 | 透气阀O形圈   | RUBBER RING               | 1 |
| 51 | 10000076 | 前支脚油塞    | RUBBER PLUG               | 1 |
| 52 | 10000078 | 前支脚      | BED SUPPORT PLATE A       | 1 |
| 53 | 10000077 | 螺钉       | SCREW                     | 2 |
| 54 | 10000082 | 前支脚油线夹   | OIL RETURN TUBE HOLDER    | 1 |
| 55 | 10000098 | 螺钉       | SCREW                     | 1 |
| 56 |          | 电线自锁夹    | CABLE BAND                | 1 |
| 57 | 10001281 | 橡胶盖      | ARD-DISCHARGING CAP       | 1 |
| 58 | 10000096 | 铜塞固定板    | GEAR BOX CAP PRESSER      | 1 |
| 59 | 10000097 | 螺钉       | SCREW                     | 1 |
| 60 | 10004374 | 螺钉       | SCREW                     | 2 |
| 61 | 10004373 | 限位挡板     | RULER STOP SEAT           | 1 |
| 62 | 10026384 | 透气阀      | AIR-DISCHARGING           | 1 |
| 63 | 10000110 | 复位螺钉     | SCREW                     | 1 |
| 64 | 10000700 | 后支脚      | BED SUPPORT PLATE B       | 1 |
| 65 | 10000100 | 复位螺母     | NUT                       | 1 |
| 66 | 10000075 | 螺钉       | SCREW                     | 1 |
| 67 | 10000079 | 齿轮箱密封O形圈 | RUBBER RING               | 1 |
| 68 | 10021559 | 透气阀弹簧销   | CABLE BAND                | 1 |
| 69 | 10000157 | 螺钉       | SCREW                     | 5 |
| 70 | 20003963 | 后罩       | PULLEY COVER              | 1 |
| 71 | 10000080 | 前支脚垫     | BED SUPPORT PLATE PACKING | 1 |

## 2. 机体部件 II

### FRAME & MISCELLANEOUS COVER COMPONENTS II

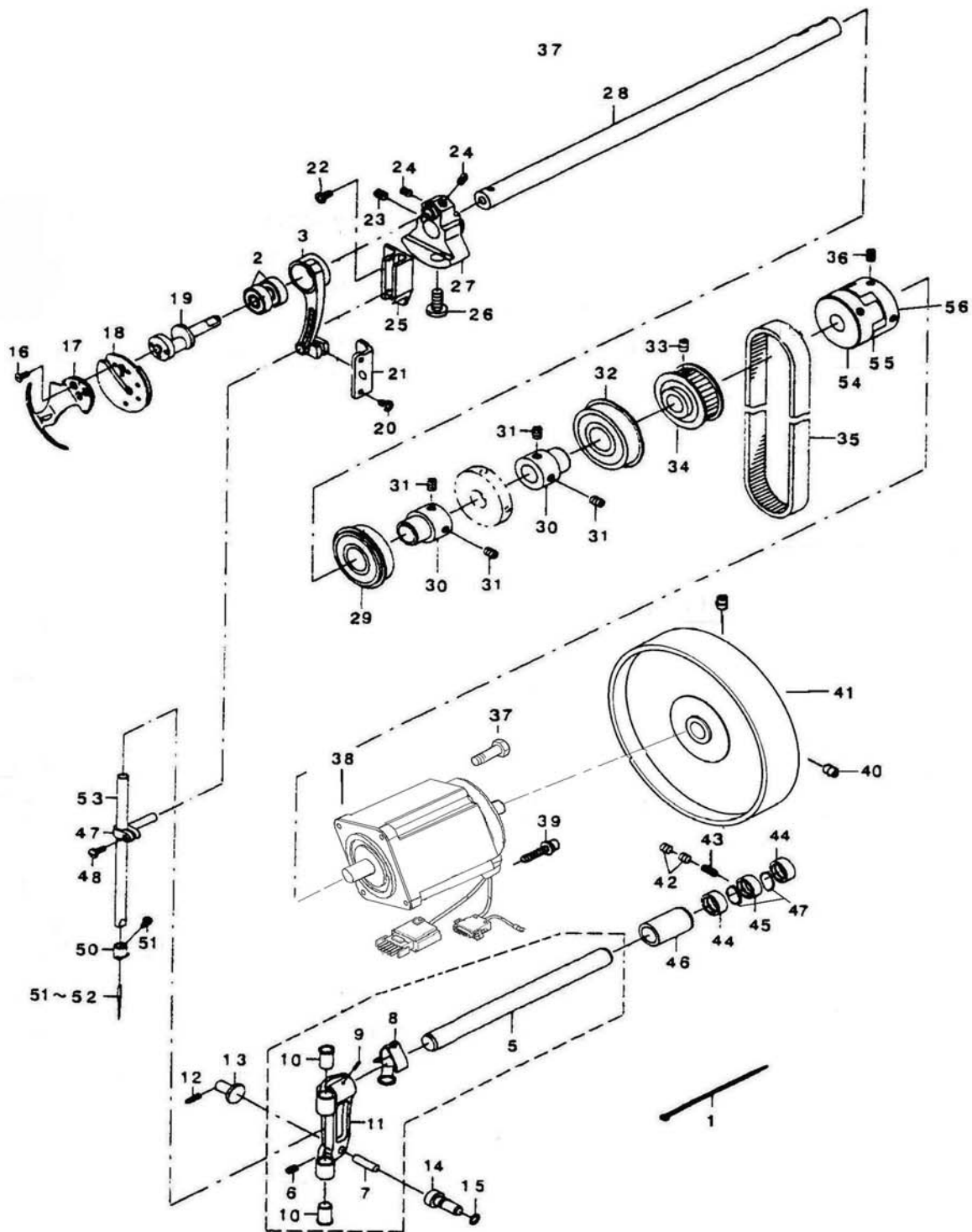


| 2. 机体部件 II                              |                |            |                                |    |
|---|----------------|------------|--------------------------------|----|
| FRAME&MISCELLANEOUS COVER COMPONENTS II |                |            |                                |    |
| 序号<br>NO.                               | 图号<br>Part No. | 描述         | Description                    | 数量 |
| 1                                       | 10000129       | 绕线器        | BOBBIN DEVICE ASM.             | 1  |
| 2                                       | 10000735       | 卷线手柄       | BOBBIN LEVER                   | 1  |
| 3                                       | 10004494       | 螺钉         | SCREW                          | 1  |
| 4                                       | 10004494       | 复位短弹簧      | PRESSUR FOOT SPRING            | 1  |
| 5                                       | 10009669       | 绕线器绕线凸轮轴挡圈 | E-RING                         | 1  |
| 6                                       | 10008773       | 橡胶轮        | RING                           | 1  |
| 7                                       | 10004498       | 卷绕轴垫       | CUSHION                        | 1  |
| 8                                       | 10004486       | 薄垫片        | WASHER                         | 1  |
| 9                                       | 10011096       | 梭心卷绕体组件    | BOBBIN FITTING BASIS COMPL.    | 1  |
| 10                                      | 10006151       | 绕线定位块      | BOBBIN CAM SHAFT COMPL.        | 11 |
| 11                                      | 10004497       | 控制板        | ASJUSTING PLATE                | 1  |
| 12                                      | 10004501       | 复位长弹簧      | SPRING                         | 1  |
| 13                                      | 10006152       | 绕线凸轮轴      | BOBBIN CAM SHAFT COMPL.        | 1  |
| 14                                      | 10006152       | 卷绕轴O形圈     | RUBBER RING                    | 1  |
| 15                                      | 10009937       | 锁芯弹簧       | LATCH SPRING                   | 1  |
| 16                                      | 10000151       | 梭芯卷绕轴      | BOBBIN WINDER SHAFT COMPL.     | 1  |
| 17                                      | 10006142       | 绕线器摆动板轴挡圈  | RETAINING RING                 | 1  |
| 18                                      | 10007459       | 油箱大油线架     | PIPE GUIDE PLATE               | 1  |
| 19                                      | 10000149       | 油箱大油线架螺钉   | SCREW                          | 1  |
| 20                                      | 10013064       | 绕线夹线器      | BOBBIN THREAD TENSION ASM.     | 1  |
| 21                                      | 10004390       | 塑料夹线螺母     | THREAD TENSION NUT             | 1  |
| 22                                      | 10004391       | 夹线簧        | THREAD TENSION SPRING          | 1  |
| 23                                      | 10004393       | 夹线板        | BOBBIN WINDER TENSION DISC     | 2  |
| 24                                      | 10004504       | 中过线板组件     | BOBBIN THREAD TENSION ROD ASM. | 1  |
| 25                                      | 10004507       | 夹线螺母       | NUT                            | 1  |
| 26                                      | 10000164       | 绕线器主动轮组件   | BOBBIN DRIVING WHEEL ASM.      | 1  |
| 27                                      | 10000172       | 绕线主动轮      | BOBBIN DRIVING WHEEL           | 1  |
| 28                                      | 10000153       | 主动轮支脚      | BOBBIN DRIVING WHEEL BLADE     | 3  |
| 29                                      | 10000173       | 支脚螺钉       | SCREW                          | 3  |
| 30                                      | 10011223       | 绕线轮紧固螺钉    | SCREW                          | 2  |
| 31                                      | 10000098       | 油箱小油线架螺钉   | SCREW                          | 1  |
| 32                                      | 10000148       | 油线架螺钉      | SCREW                          | 1  |
| 33                                      | 10000146       | 油线架        | HEAD LUBRICATION PIPE STOPPER  | 1  |
| 34                                      | 10000164       | 切刀螺钉       | SCREW                          | 2  |
| 35                                      | 10011149       | 绕线切刀       | THREAD CUTTER                  | 1  |
| 36                                      | 10000149       | 绕线器螺钉      | SCREW                          | 3  |
| 37                                      | 10000167       | 两眼过线柱      | SAFETY SWITCH ARM              | 1  |
| 38                                      | 10009890       | 针板螺钉       | SCREW                          | 2  |
| 39                                      | 10000166       | 针板         | NEEDLE PLATE                   | 1  |
| 40                                      | 10009890       | 针板内盖板螺钉    | SCREW                          | 2  |
| 41                                      | 10000165       | 针板内盖板      | BED PLATE                      | 1  |
| 42                                      | 10008936       | 安全提示牌      | SAFETY LABEL. (SMALL)          | 1  |
| 43                                      | 10000150       | 电线压板       | CONNECTING ROD                 | 2  |
| 44                                      | 10000152       | 压板滚压螺钉     | SCREW                          | 4  |
| 45                                      | 10008772       | 油标窗        | OIL SIGHT WINDOW               | 1  |
| 46                                      |                | 电线自锁夹      | CABLE BAND 150                 | 1  |

|    |          |          |                              |    |
|----|----------|----------|------------------------------|----|
| 47 | 10000082 | 前支脚油线夹   | LUBRICATING OIL WICK STOPPER | 1  |
| 48 | 10000168 | 旋梭齿轮箱盖垫  | GEAR BOX (SMALL) PACKING     | 1  |
| 49 | 10000125 | 旋梭齿轮箱盖   | GEAR BOX (SMALL) COVER       | 1  |
| 50 | 10000098 | 旋梭齿轮箱盖螺钉 | SCREW                        | 4  |
| 51 | 10001242 | 油箱盖垫     | GEAR BOX (LARGE) PACKING     | 1  |
| 52 | 10000126 | 油箱盖      | GEAR BOX (LARGE) COVER       | 1  |
| 53 | 10001281 | 油箱盖螺钉    | SCREW                        | 12 |

3. 挑线刺布部件

MAIN SHAFT & THREAD TAKE-UP & NEEDLE BAR COMPONENTS

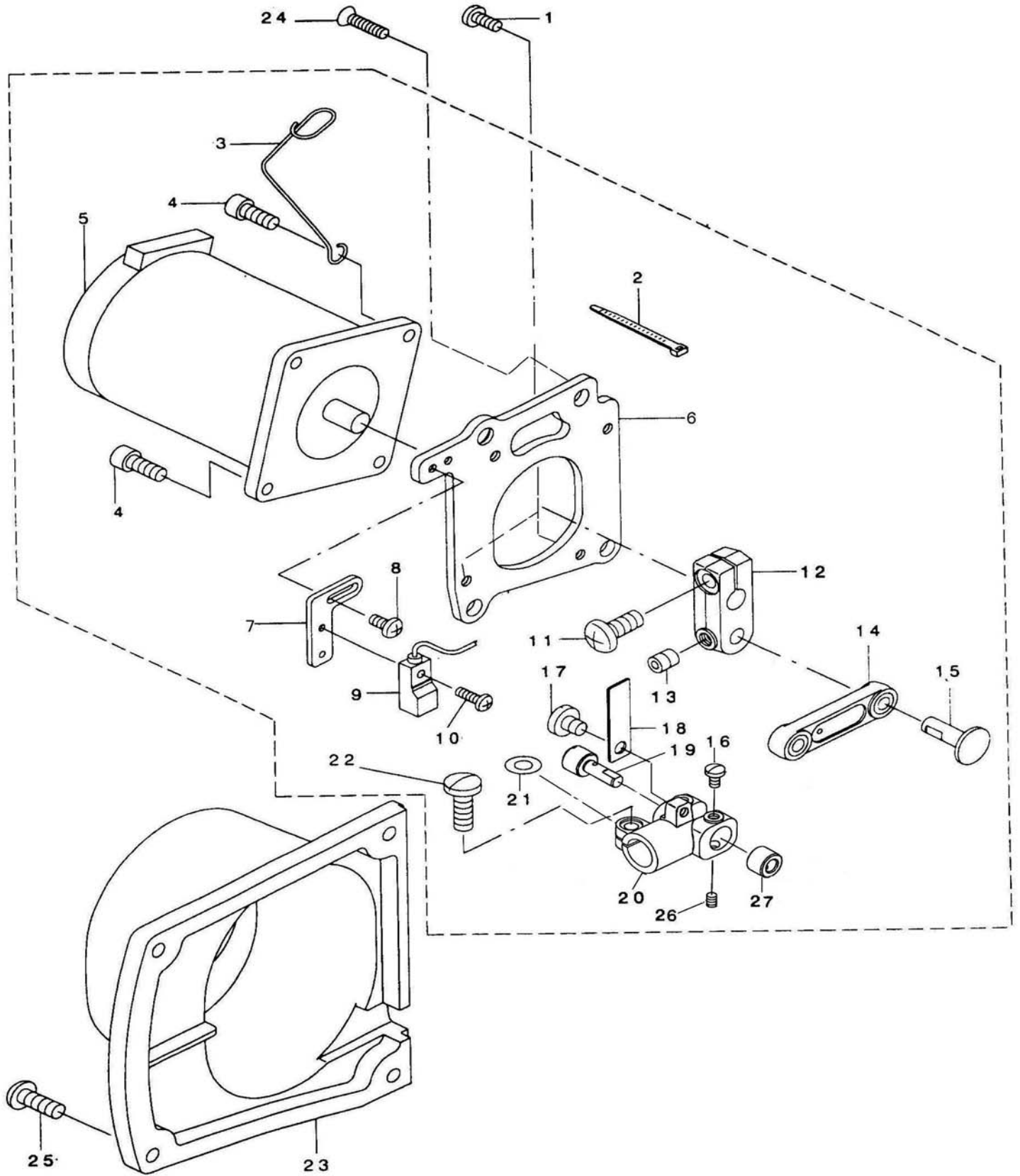


| 3. 挑线刺布部件                                       |                |            |                                |    |
|---|----------------|------------|--------------------------------|----|
| MAIN SHAFT&THREAD TAKE-UP&NEEDLE BAR COMPONENTS |                |            |                                |    |
| 序号<br>NO.                                       | 图号<br>Part No. | 描述         | Description                    | 数量 |
| 1   |                | 电线自锁夹      | CABLE BAND                     | 1  |
| 2   | 10003586       | 针杆连杆轴承     | BUSHING                        | 2  |
| 3   | 10000310       | 针杆连杆       | NEEDLE ROD CRANK ROD           | 1  |
| 4   | 10000230       | 针杆摆动架组件    | NEEDLE ROD SUPPORT BASE ASM.   | 1  |
| 5   | 10000227       | 针杆摆动架轴     | NEEDLE ROD SUPPORT BASE SHAFT  | 1  |
| 6   | 10000205       | 螺钉         | SCREW                          | 1  |
| 7   | 10000204       | 针杆摆动架销     | SUPPORT BASE GUIDE SHAFT       | 1  |
| 8   | 10000306       | 摆动架毛毡      | NEEDLE ROD SUPPORT BASE FELT   | 1  |
| 9   | 10003469       | 针杆摆动架开口销   | SPRING PIN                     | 1  |
| 10  | 10000228       | 针杆轴套       | NEEDLE ROD METAL               | 2  |
| 11  | 10000227       | 针杆摆动架      | NEEDLE ROD SUPPORT BASE        | 1  |
| 12  | 10000320       | 螺钉         | SCREW                          | 1  |
| 13  | 10000647       | 摆动架左定位销    | SUPPORT BASE GUIDE PIN B       | 1  |
| 14  | 10000646       | 摆动架右定位销    | SUPPORT BASE GUIDE PIN A       | 1  |
| 15  | 10000321       | 摆动架右定位销O型圈 | RUBBER RING                    | 1  |
| 16  | 10009890       | 螺钉         | SCREW                          | 3  |
| 17  | 10000337       | 旋转挑线盘      | BALANCE V                      | 1  |
| 18  | 10000232       | 旋转挑线盘座组件   | TAKE-UP COUNTERWEIGHT ASM.     | 1  |
| 19  | 10008538       | 挑线曲柄       | NEEDLE ROD CRANK               | 1  |
| 20  | 10010210       | 螺钉         | SCREW                          | 2  |
| 21  | 10000319       | 小连杆导板      | NEEDLE ROD CRANK ROD GUIDE     | 1  |
| 22  | 10000264       | 螺钉         | SCREW                          | 2  |
| 23  | 10000312       | 螺钉         | SCREW                          | 1  |
| 24  | 10005020       | 螺钉         | SCREW                          | 2  |
| 25  | 10000307       | 针杆连接柱导轨    | NEEDLE ROD HOLDER GUIDE        | 1  |
| 26  | 10010545       | 螺钉         | SCREW                          | 1  |
| 27  | 10000311       | 针杆曲柄       | COUNTER WEIGHT                 | 1  |
| 28  | 10000315       | 上轴         | UPPER SHAFT                    | 1  |
| 29  | 10025881       | 上轴前轴承      | BEARING                        | 1  |
| 30  | 10000313       | 上轴轴承挡圈     | MAIN SHAFT BEARING SUPPORT     | 1  |
| 31  | 10000314       | 螺钉         | SCREW                          | 2  |
| 32  | 10003603       | 轴承         | BEARING                        | 1  |
| 33  | 10000314       | 螺钉         | SCREW                          | 2  |
| 34  | 10000648       | 上轴带轮       | UPPER SHAFT SPROCKET           | 1  |
| 35  | 10000316       | 同步齿形带      | TIMING BELT                    | 1  |
| 36  | 10000314       | 螺钉         | SCREW                          | 4  |
| 37  | 10000233       | 螺钉         | SCREW                          | 1  |
| 38  | 10022370       | 上轴电机       | MOTOR A ASM.                   | 1  |
| 39  | 10000233       | 上轴电机螺钉组件   | SCREW                          | 4  |
| 40  | 10000314       | 螺钉         | SCREW                          | 2  |
| 41  | 20004078       | 上轮         | HAND WHEEL                     | 1  |
| 42  | 10000318       | 螺钉         | SCREW                          | 2  |
| 43  | 10000317       | 弹簧         | SPRING                         | 1  |
| 44  | 10000205       | 摆动架后外套     | SUPPORT BASE SHAFT FRONT METAL | 2  |
| 45  | 10000306       | 摆动架后中套     | SUPPORT BASE SHAFT REAR METAL  | 1  |
| 46  | 10000204       | 针杆摆动架前套    | SUPPORT BASE SHAFT FRONT METAL | 1  |

|    |          |          |                       |   |
|----|----------|----------|-----------------------|---|
| 47 | 10000203 | 摆动架套垫圈   |                       | 2 |
| 48 | 10000309 | 针杆连接柱    | NEEDLE BAR CONNECTION | 1 |
| 49 | 10010018 | 螺钉       | SCREW                 | 1 |
| 50 | 10000322 | 针杆线钩     | THRED RACK. RIGHT     | 1 |
| 51 | 10010588 | 螺钉       | SCREW                 | 1 |
| 51 | 10003366 | 机针(薄料用)  | NEEDLE (DPx5 #10)     | 1 |
| 52 | 10004858 | 机针(厚料用)  | NEEDLE (DPX5#14 )     | 1 |
| 53 | 10000203 | 针杆       | NEEDLE ROD            | 1 |
| 54 | 10000868 | 上轴连接前块   | NEEDLE ROD CRANK      | 1 |
| 55 | 10011227 | 上轴传动连接胶块 | RUBBER                | 1 |
| 56 | 10000838 | 上轴传动连接后块 | COUPLING              | 1 |



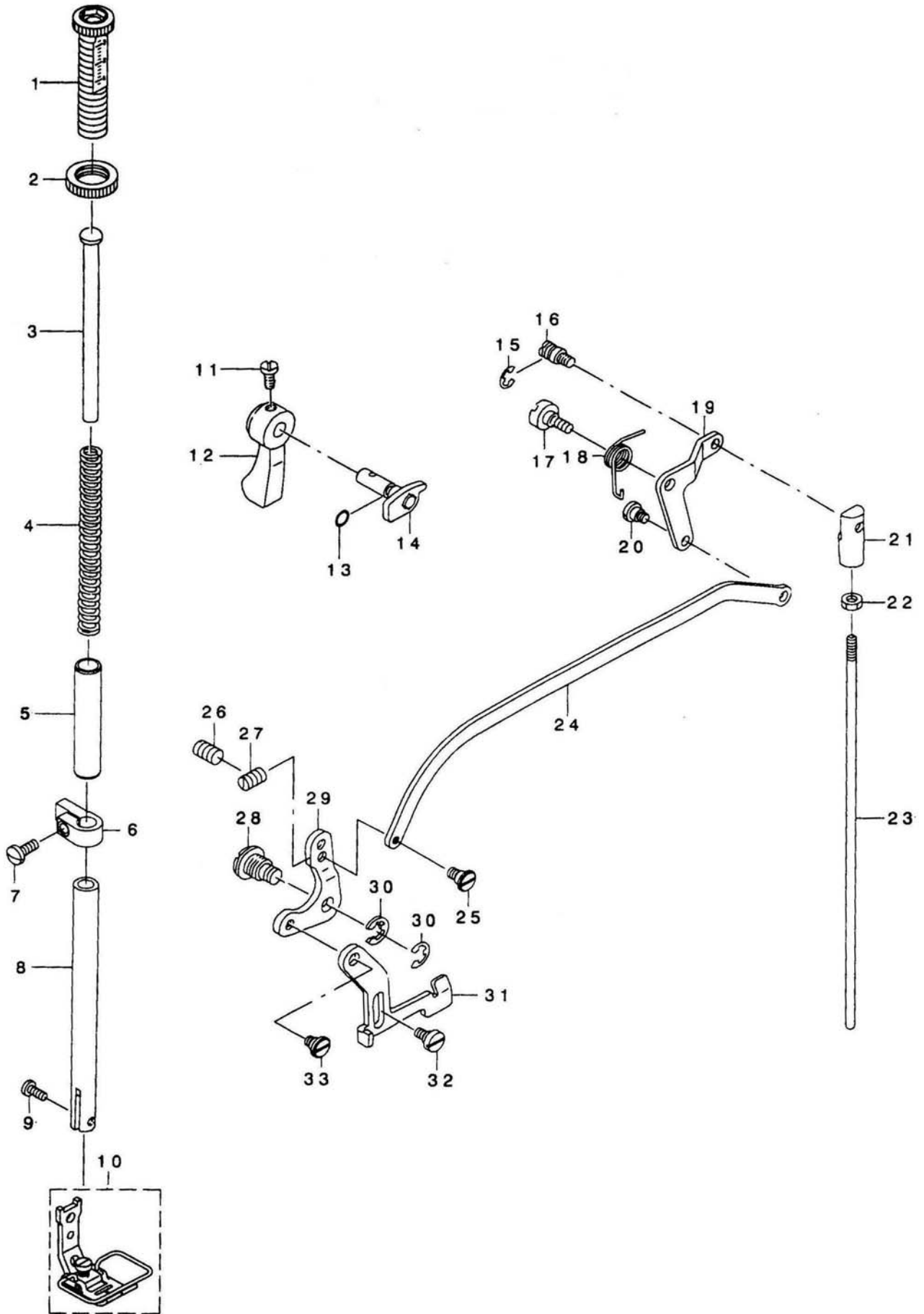
4. 摆针部件  
NEENLE VIBRATOR COMPONENTS



| 4. 摆针部件                    |                |            |                               |    |
|----------------------------|----------------|------------|-------------------------------|----|
| NEEDLE VIBRATOR COMPONENTS |                |            |                               |    |
| 序号<br>NO.                  | 图号<br>Part No. | 描述         | Description                   | 数量 |
| 1                          | 10000341       | 螺钉         | SCREW                         | 2  |
| 2                          |                | 电线自锁夹      | CABLE BAND                    | 1  |
| 3                          | 10000343       | 电线定位弹簧     | CORD CLAMP                    | 1  |
| 4                          | 10000348       | 螺钉         | SCREW                         | 4  |
| 5                          | 10024500       | 步进电机       | PULSE MOTOR                   | 1  |
| 6                          | 10025488       | 步进电机安装板    | NEEDLE VIBRATOR UNIT BASIS    | 1  |
| 7                          | 10000344       | 步进电机感应器安装板 | SENSOR FITTING PLATE          | 1  |
| 8                          | 10000345       | 螺钉         | SCREW                         | 2  |
| 9                          | 10003734       | 步进电机感应器    | ZERO SENSOR A ASM.            | 1  |
| 10                         | 10003060       | 螺钉         | SCREW                         | 1  |
| 11                         | 10008776       | 螺钉         | SCREW                         | 1  |
| 12                         | 10024828       | 摆动架驱动块     | MOTOR LINK                    | 1  |
| 13                         | 10008775       | 螺钉         | SCREW                         | 1  |
| 14                         | 10000681       | 摆动架连杆组件    | SHAFT CONNECTION LINK ASM.    | 1  |
| 15                         | 10000640       | 摆动架连杆销     | NEEDLE VIBRATOR JUNCTION ROD  | 1  |
| 16                         | 10009906       | 螺钉         | SCREW                         | 2  |
| 17                         | 10000513       | 螺钉         | SCREW                         | 1  |
| 18                         | 10003265       | 感应器挡板      | SENSOR SLIT                   | 1  |
| 19                         | 10000683       | 摆动架连杆轴     | SHAFT CONNECTION PIN          | 1  |
| 20                         | 10000682       | 摆动架连接座     | SUPPORT BASE SHAFT CONNECTION | 1  |
| 21                         | 10009469       | 垫片         | WASHER                        | 1  |
| 22                         | 10000347       | 螺钉         | SCREW                         | 1  |
| 23                         | 20003396       | 步进电机罩      | NEEDLE VIBRATOR UNIT COVER    | 1  |
| 24                         | 10000340       | 螺钉         | SCREW                         | 2  |
| 25                         | 10000512       | 螺钉         | SCREW                         | 4  |
| 26                         | 10009873       | 螺钉         | SCREW                         | 1  |
| 27                         | 10000684       | 摆动架连杆轴套    | SHAFT CONNECTION BUSH         | 1  |

5. 抬压脚部件

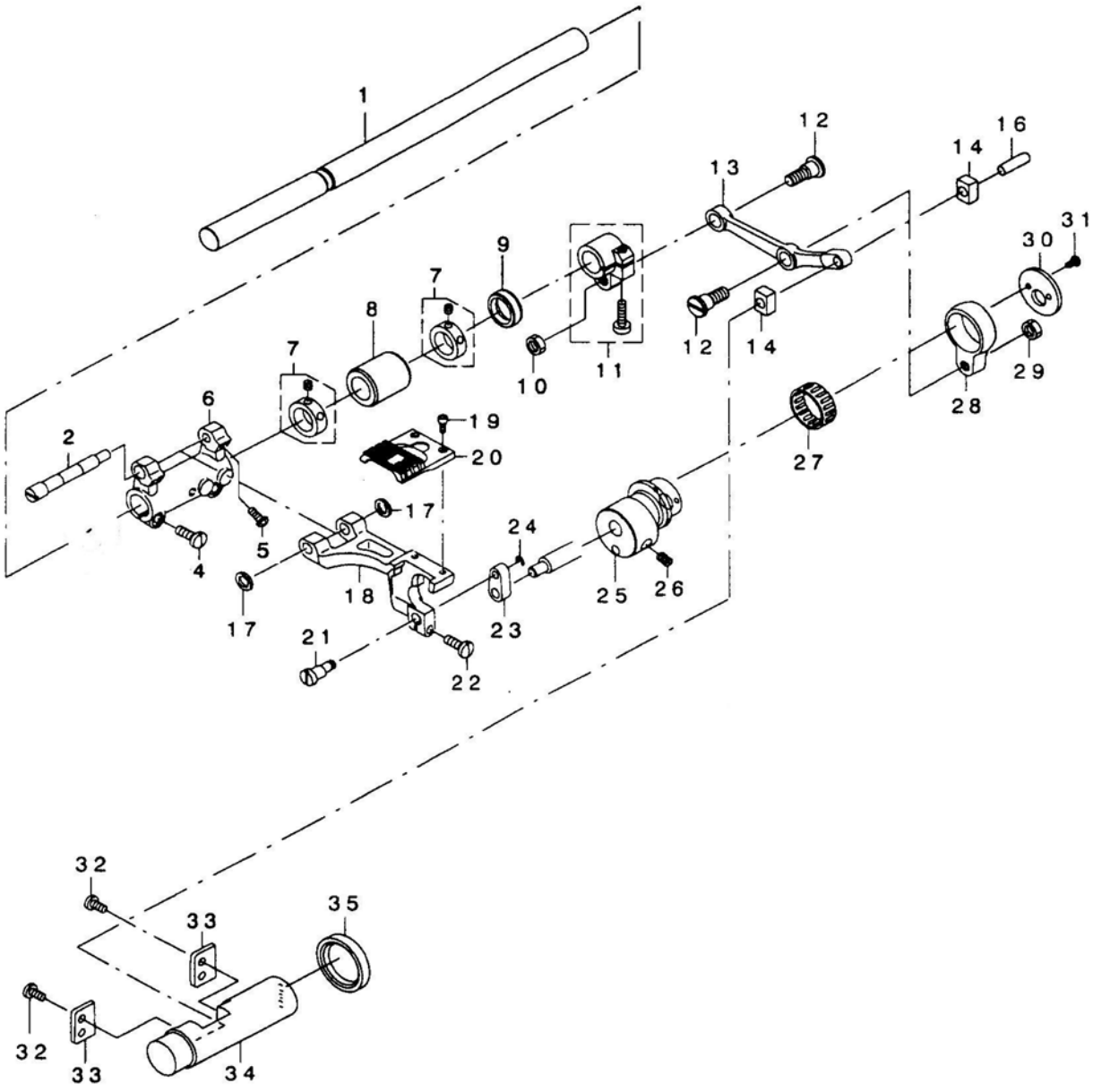
HAND LIFTER COMPONENTS



| 5. 抬压脚部件               |                |            |                              |    |
|------------------------|----------------|------------|------------------------------|----|
| HAND LIFTER COMPONENTS |                |            |                              |    |
| 序号<br>NO.              | 图号<br>Part No. | 描述         | Description                  | 数量 |
| 1                      | 10013325       | 调压螺钉       | PRESSER SPRING REGULATOR     | 1  |
| 2                      | 10011023       | 调压螺母       | NUT                          | 1  |
| 3                      | 10004439       | 调压导杆       | PRESSER GUIDE BAR            | 1  |
| 4                      | 10004505       | 调压弹簧       | PRESSER SPRING REGULATOR     | 1  |
| 5                      | 10027072       | 压杆轴套       | BUSHING                      | 1  |
| 6                      | 10000244       | 压杆导架       | SCREW                        | 1  |
| 7                      | 10013647       | 压杆导架螺钉     | PRESSER BAR GUIDE BRACKET    | 1  |
| 8                      | 10026790       | 压杆         | PRESSER BAR GUIDE BRACKET    | 1  |
| 9                      | 10010018       | 压脚螺钉       | SCREW                        | 1  |
| 10                     | 10000726       | 活压脚部件      | PRESSER FOOT ASM.            | 1  |
| 11                     | 10010016       | 压脚扳手螺钉组件   | SCREW                        | 1  |
| 12                     | 10011064       | 压脚扳手       | HAND LIFTER                  | 1  |
| 13                     | 10010027       | O形圈        | RUBBER RING                  | 1  |
| 14                     | 10002388       | 压脚扳手组件     | HAND LIFTER CAM COMPL.       | 1  |
| 15                     | 10013038       | 杠杆接头卡簧     | E-RING                       | 1  |
| 16                     | 10001099       | 杠杆接头螺钉     | CONNECTING ROD HINGE SCREW   | 1  |
| 17                     | 10000238       | 抬压脚后杠杆螺钉   | KNEE LIFTING LINK STEP-SCREW | 1  |
| 18                     | 10000239       | 抬压脚后杠杆复位弹簧 | KNEE LIFTING LINK SPRING     | 1  |
| 19                     | 10000240       | 抬压脚后杠杆     | KNEE LIFTING LINK SPRING     | 1  |
| 20                     | 10000599       | 抬压脚后杠杆销    | HINGE SCREW                  | 1  |
| 21                     | 10000241       | 抬压脚顶杆接头    | SWIVEL                       | 1  |
| 22                     | 10000242       | 顶杆螺母       | NUT                          | 1  |
| 23                     | 10000243       | 顶杆         | KNEE LIFTING JUNCTION ROD    | 1  |
| 24                     | 10000598       | 抬压脚拉杆      | KNEE LIFTING SIDE ROD LINK   | 1  |
| 25                     | 10000248       | 抬压脚拉杆螺钉    | HINGE SCREW                  | 1  |
| 26                     | 10005983       | 紧定螺钉       | SCREW                        | 1  |
| 27                     | 10002828       | 限位螺钉       | SCREW                        | 1  |
| 28                     | 10000246       | 前杠杆吊紧螺钉    | HINGE PIN                    | 1  |
| 29                     | 10000247       | 抬压脚前杠杆     | LIFTING LEVER LINK           | 1  |
| 30                     | 10009654       | 螺纹销开口挡圈    | SNAP RING                    | 2  |
| 31                     | 10002826       | 抬压脚升降板     | LIFTING LEVER                | 1  |
| 32                     | 10002827       | 升降板下螺钉     | HINGE SCREW                  | 1  |
| 33                     | 10000245       | 升降板上螺钉     | HINGE SCREW                  | 1  |

# 6.送料部件 I

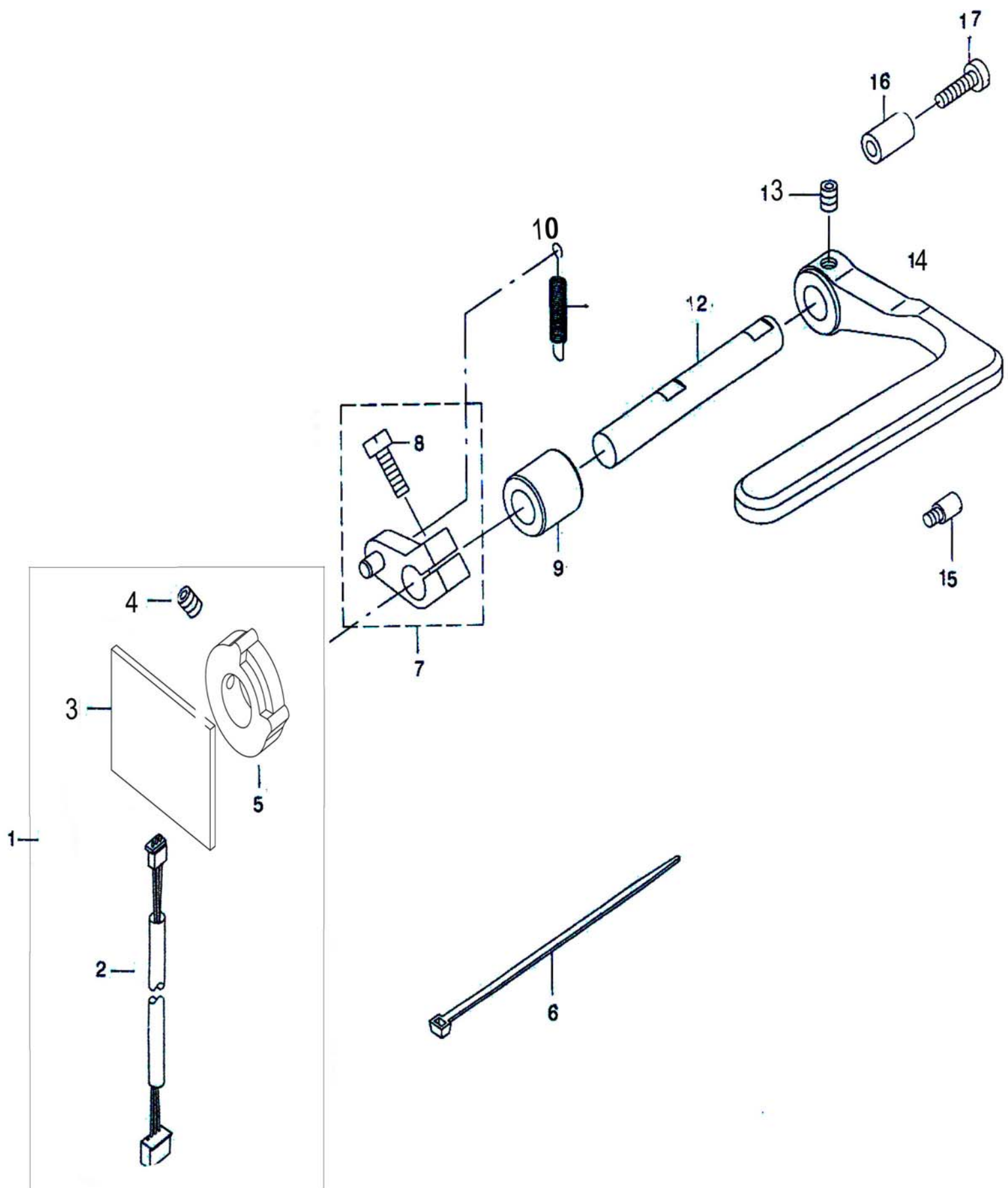
## FEED MECHANISM COMPONENTS I



| 6. 送料部件 I                   |                |            |                              |    |
|-----------------------------|----------------|------------|------------------------------|----|
| FEED MECHANISM COMPONENTS I |                |            |                              |    |
| 序号<br>NO.                   | 图号<br>Part No. | 描述         | Description                  | 数量 |
| 1                           | 10000273       | 送料轴        | HORIZONTAL FEED SHAFT        | 1  |
| 2                           | 10000279       | 牙架销        | FEED BASE SHAFT              | 1  |
| 3                           | 10000077       | 限位板III螺钉   | SCREW                        | 2  |
| 4                           | 10000347       | 牙架座螺钉      | SCREW                        | 2  |
| 5                           | 10000148       | 拾牙销紧固螺钉    | SCREW                        | 2  |
| 6                           | 10000278       | 牙架座        | FEED ROCKER                  | 1  |
| 7                           | 10000272       | 送料轴挡圈      | THRUST COLLAR ASM.           | 2  |
| 8                           | 10012494       | 送料轴套筒      | FEED ROCKER SHAFT METAL      | 1  |
| 9                           | 10012536       | 送料轴油封      | OIL SEAL                     | 1  |
| 10                          | 10004475       | 传动连杆曲柄螺母   | NUT                          | 1  |
| 11                          | 10000272       | 送料曲柄       | FEED ROCKER SHAFT CRANK ASM. | 1  |
| 12                          | 10000270       | 螺钉         | SCREW                        | 2  |
| 13                          | 10000685       | 传动连杆曲柄     | CONNECTING ROD               | 1  |
| 14                          | 10003296       | 传动轴滑块      | FEED DRIVING ROCKER BLOCK    | 2  |
| 16                          | 10003295       | 传动连杆销      | PIN                          | 1  |
| 17                          | 10010314       | 牙架销垫片      | SPACER                       | 2  |
| 18                          | 10000282       | 牙架         | FEED BASE SHAFT              | 1  |
| 19                          | 10000406       | 送料牙螺钉      | SCREW                        | 2  |
| 20                          | 10008164       | 送料牙        | FEED DOG                     | 1  |
| 21                          | 10000281       | 拾牙销        | LINK SHAFT                   | 1  |
| 22                          | 10000347       | 牙架紧固螺钉     | SCREW                        | 1  |
| 23                          | 10000280       | 拾牙小连杆      | LINK                         | 1  |
| 24                          | 10003248       | 拾牙销挡圈      | E-RING                       | 1  |
| 25                          | 10000277       | 送料偏心凸轮     | HORIZONTAL FEED CAM          | 1  |
| 26                          | 10000268       | 偏心轮紧定螺钉    | SCREW                        | 2  |
| 27                          | 10000603       | 滚针轴承       | BEARING                      | 1  |
| 28                          | 10000288       | 送料偏心凸轮套    | ROD                          | 1  |
| 29                          | 10004475       | 传动连杆曲柄螺母   | NUT                          | 1  |
| 30                          | 10000602       | 送料偏心凸轮挡板   | HORIZONTAL FEED CAM COVER    | 1  |
| 31                          | 10000268       | 送料偏心凸轮挡板螺钉 | SCREW                        | 2  |
| 32                          | 10000264       | 送料连接传动轴螺钉  | SCREW                        | 4  |
| 33                          | 10000265       | 送料连接传动轴挡板  | PLATE A                      | 2  |
| 34                          | 10000262       | 送料连接传动轴    | FEED ADJUSTING               | 1  |
| 35                          | 10007572       | 送料连接传动轴油封  | FEED ADJUSTING OIL SEAL      | 1  |

# 7.送料部件 II

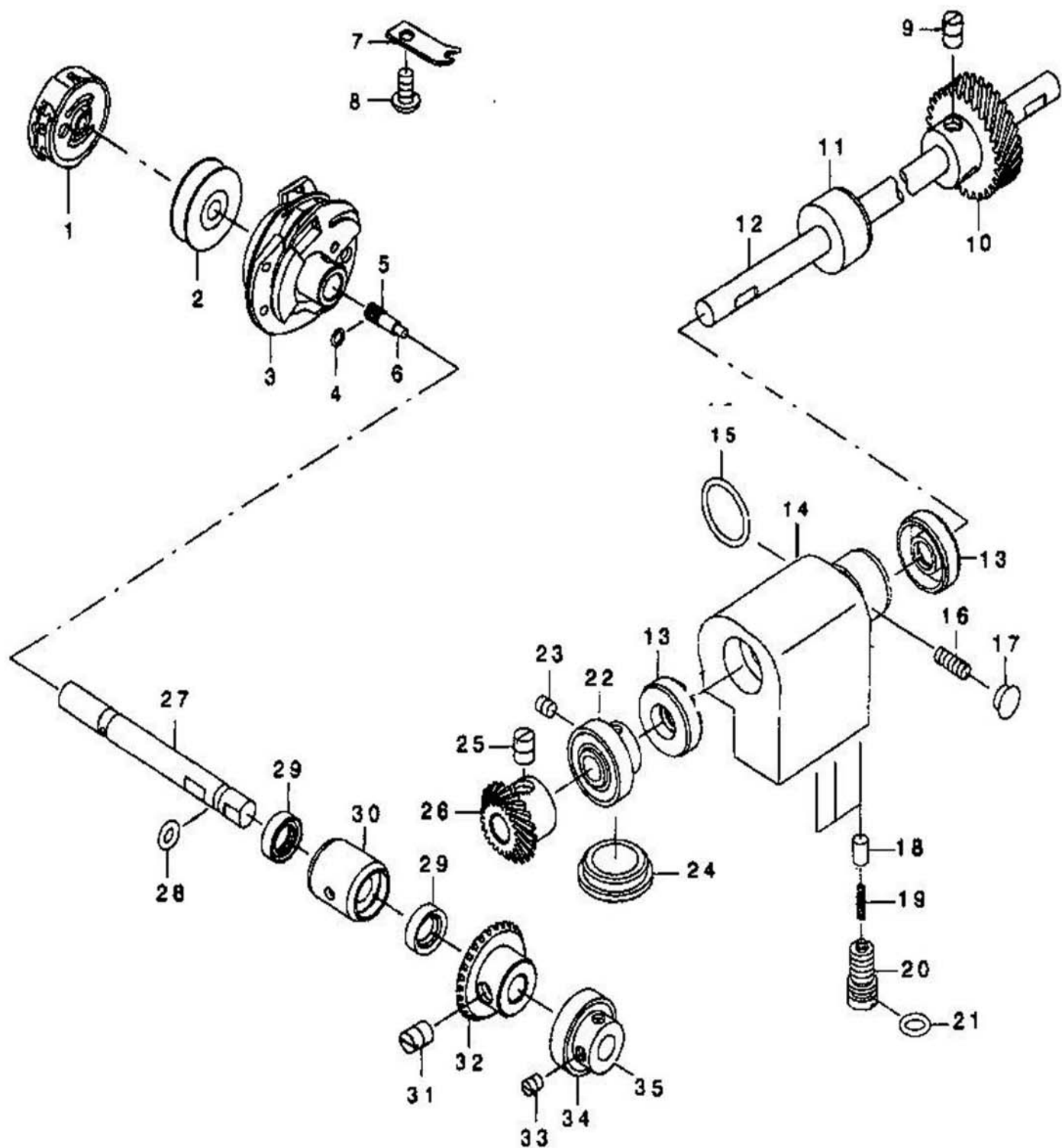
## FEED MECHANISM COMPONENTS II



| 7. 送料部件 II                   |                |            |                                  |    |
|------------------------------|----------------|------------|----------------------------------|----|
| FEED MECHANISM COMPONENTS II |                |            |                                  |    |
| 序号<br>NO.                    | 图号<br>Part No. | 描述         | Description                      | 数量 |
| 1                            |                | 送布拨杆传感器组件  | FEED WRENCH SENSOR COMPONENTS    | 1  |
| 2                            | 10026359       | 送布拨杆传感器接线  | FEED WRENCH SENSOR WRIE          | 1  |
| 3                            | 10026223       | 送布拨杆传感器    | FEED WRENCH SENSOR               | 1  |
| 4                            | 10002853       | 螺钉         | SCREW                            | 1  |
| 5                            | 10026535       | 倒缝扳手传感器电磁铁 | FEED WRENCH SENSOR ELECTROMAGNET | 1  |
| 6                            |                | 电线自锁夹      | CABLE BAND                       | 1  |
| 7                            | 20000150       | 倒缝曲柄组件     | FEED CRANK                       | 1  |
| 8                            | 10010095       | 倒缝曲柄组件螺钉   | SCREW                            | 1  |
| 9                            | 10000294       | 倒缝扳手轴套     | WRENCH METAL                     | 1  |
| 10                           | 10000687       | 倒缝扳手复位弹簧   | FEED SPRING                      | 1  |
| 12                           | 10000722       | 倒送料轴       | FEED SHAFT                       | 1  |
| 13                           | 10009187       | 倒送料轴紧定螺钉   | SCREW                            | 1  |
| 14                           | 20003390       | 倒送料扳手      | FEED WRENCH                      | 1  |
| 15                           | 10000723       | 倒缝扳手下限位销   | FEED DOWN LIMIT SHAFT            | 1  |

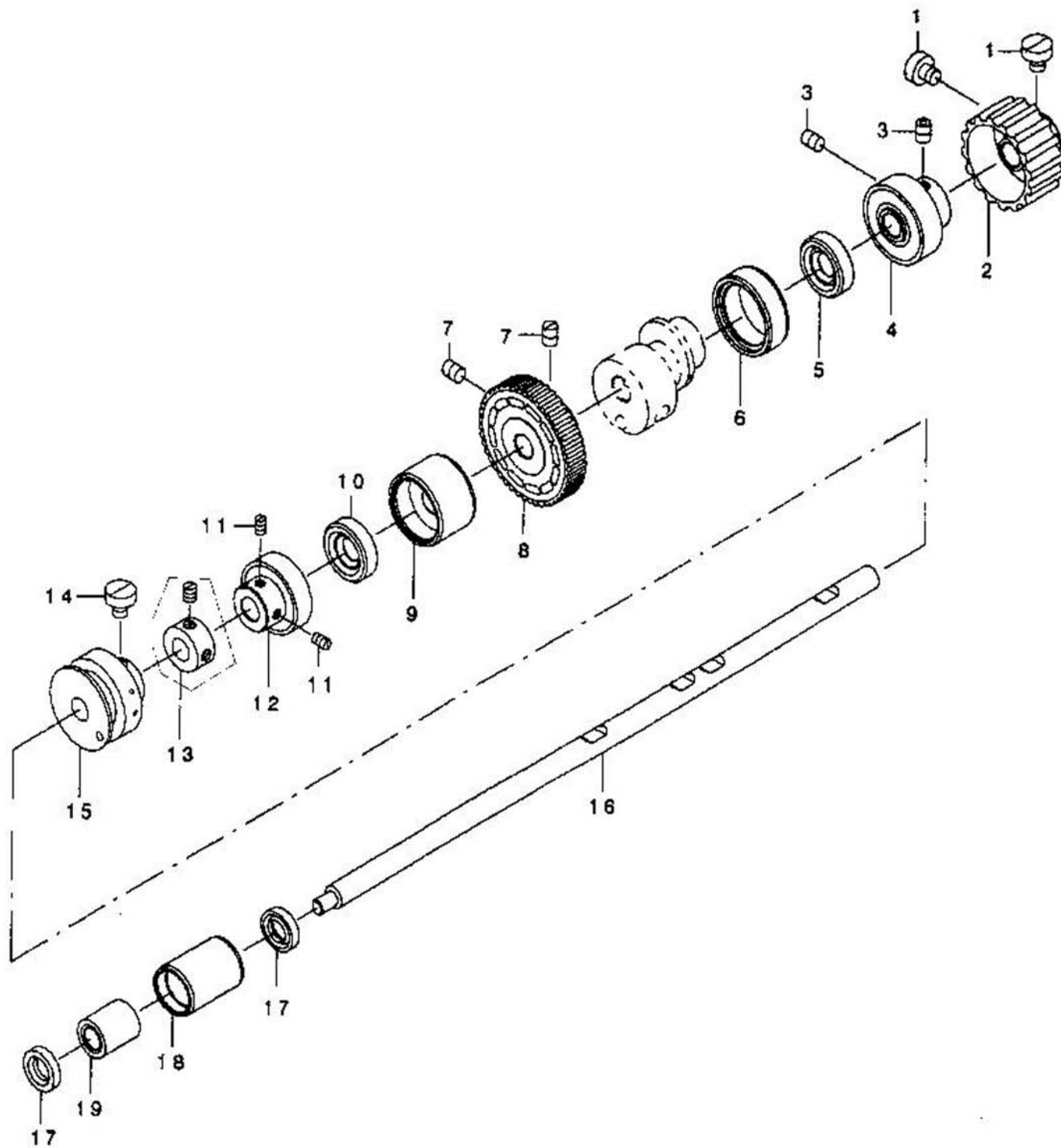


8. 下轴部件 I  
HOOK DRIVING SHAFT COMPONENTS I



| 8. 下轴部件 I                       |                |              |                               |    |
|---------------------------------|----------------|--------------|-------------------------------|----|
| HOOK DRIVING SHAFT COMPONENTS I |                |              |                               |    |
| 序号<br>NO.                       | 图号<br>Part No. | 描述           | Description                   | 数量 |
| 1                               | 10003804       | 梭壳           | BOBBIN CASE ASM.              | 1  |
| 2                               | 10010377       | 梭心           | BOBBINS                       | 1  |
| 3                               | 10003806       | 旋梭           | HOOK COMPL. V                 | 1  |
| 4                               | 10000457       | 旋梭限油螺钉O形圈    | RUBBER RING                   | 1  |
| 5                               | 10010029       | 旋梭限油螺钉       | SCREW                         | 1  |
| 6                               | 10010063       | 下轴限油芯        | OIL WICK                      | 1  |
| 7                               | 10000456       | 旋梭定位板        | INNER HOOK STOPPER            | 1  |
| 8                               | 10010066       | 旋梭定位板螺钉      | SCREW                         | 1  |
| 9                               | 10003921       | 旋梭驱动轴圆柱斜齿轮螺钉 | SCREW                         | 2  |
| 10                              | 10000462       | 旋梭驱动轴圆柱斜齿轮   | HOOK DRIVING GEAR             | 1  |
| 11                              | 10000461       | 旋梭驱动轴后轴套     | HOOK DRIVING SHAFT REAR METAL | 1  |
| 12                              | 10000582       | 旋梭驱动轴        | HOOK DRIVING SHAFT            | 1  |
| 13                              | 10003797       | 旋梭驱动轴前轴套油封   | HOOK DRIVING SHAFT OIL SEAL   | 2  |
| 14                              | 10000583       | 油泵体组件        | PUMP METAL                    | 1  |
| 15                              | 10000460       | 旋梭驱动轴前轴套O形圈  | RUBBER RING                   | 1  |
| 16                              | 10000463       | 旋梭驱动轴前轴套调节螺钉 | SCREW                         | 1  |
| 17                              | 10000091       | 左侧小油塞        | PLUG                          | 1  |
| 18                              | 10002399       | 柱塞           | PLUNGER                       | 2  |
| 19                              | 10014386       | 柱塞簧          | RUBBER SPRING                 | 2  |
| 20                              | 10000464       | 柱塞螺钉         | SCREW                         | 2  |
| 21                              | 10000465       | 柱塞螺钉O形圈      | RUBBER RING                   | 2  |
| 22                              | 10026221       | 旋梭驱动轴轴承      | HOOK SHAFT BEARING ASM.       | 1  |
| 23                              | 10000459       | 旋梭驱动轴轴承挡圈螺钉  | SCREW                         | 2  |
| 24                              | 10000616       | 旋梭驱动轴轴承油塞    | RUBBER PLUG                   | 1  |
| 25                              | 10003921       | 旋梭驱动轴伞齿螺钉    | SCREW                         | 2  |
| 26                              | 10010029       | 旋梭驱动轴伞齿轮     | HOOK GEAR                     | 1  |
| 27                              | 10003436       | 旋梭轴          | HOOK SHAFT                    | 1  |
| 28                              | 10003437       | 旋梭轴O形圈       | RUBBER RING                   | 1  |
| 29                              | 10003797       | 旋梭轴轴套油封      | HOOK SHAFT OIL SEAL           | 2  |
| 30                              | 10000581       | 旋梭轴轴套        | HOOK SHAFT FRONT METAL        | 1  |
| 31                              | 10003921       | 旋梭轴伞齿轮螺钉     | SCREW                         | 2  |
| 32                              | 10003937       | 旋梭轴伞齿轮       | HOOK GEAR                     | 1  |
| 33                              | 10000459       | 旋梭轴轴承挡圈螺钉    | SCREW                         | 2  |
| 34                              | 10026221       | 旋梭轴轴承        | HOOK SHAFT BEARING ASM.       | 1  |
| 35                              | 10000458       | 旋梭轴轴承挡圈      | BEARING SUPPOTR               | 1  |

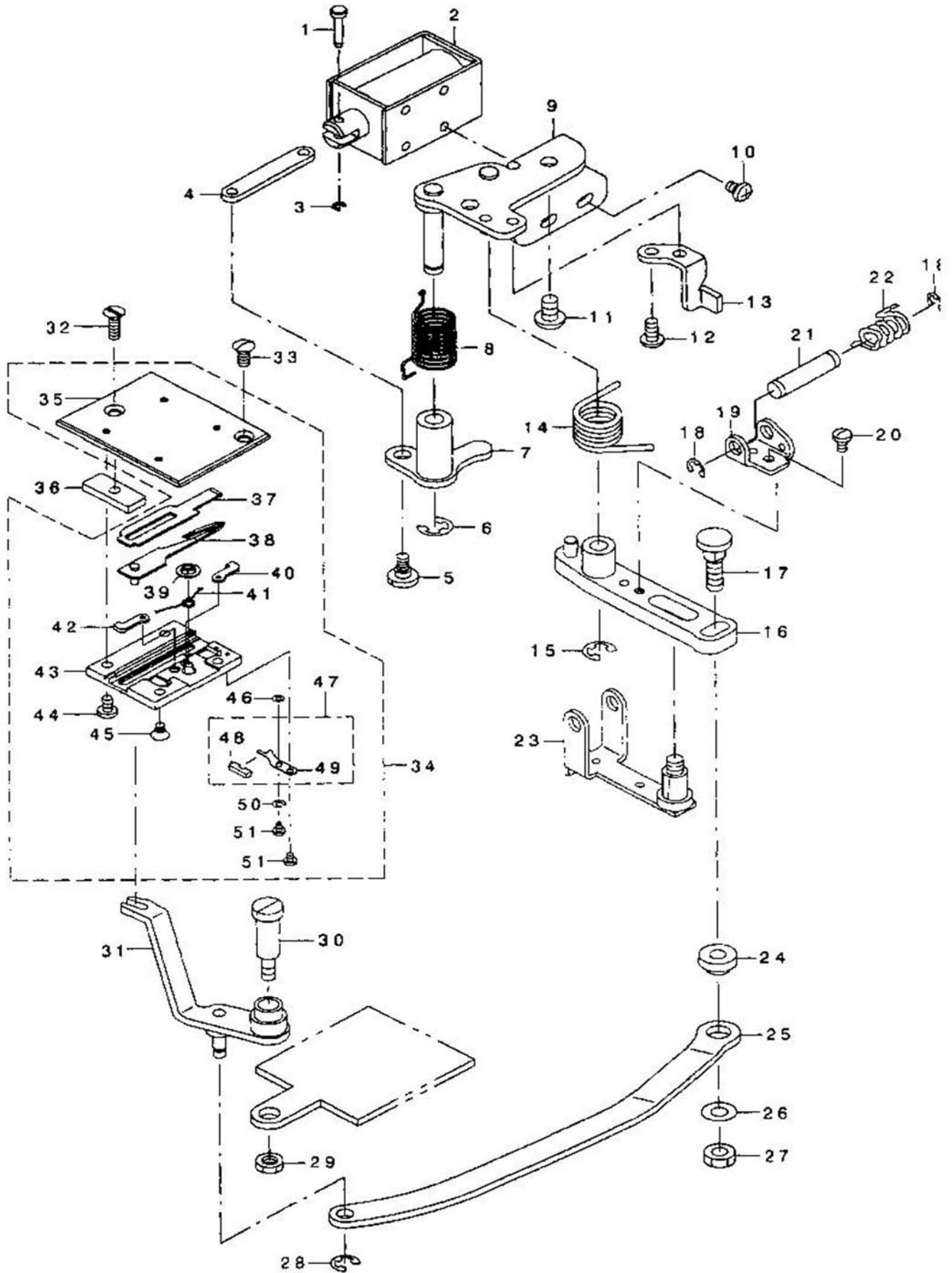
9. 下轴部件 II  
HOOK DRIVING SHAFT COMPONENTS II



| 9. 下轴部件 II                       |                |           |                                |    |
|----------------------------------|----------------|-----------|--------------------------------|----|
| HOOK DRIVING SHAFT COMPONENTS II |                |           |                                |    |
| 序号<br>NO.                        | 图号<br>Part No. | 描述        | Description                    | 数量 |
| 1                                | 10000428       | 螺钉        | SCREW                          | 2  |
| 2                                | 10003438       | 下轴带轮      | LOWER SHAFT SPROCKET           | 1  |
| 3                                | 10000314       | 下轴后轴承挡圈螺钉 | SCREW                          | 2  |
| 4                                | 10003581       | 下轴后轴承     | LOWER SHAFT REAR BEARING ASM.  | 1  |
| 5                                | 10003791       | 下轴后轴套油封   | OIL SEAL                       | 1  |
| 6                                | 10000426       | 下轴后轴套     | LOWER SHAFT REAR BUSH          | 1  |
| 7                                | 10003921       | 下轴斜齿轮螺钉   | SCREW                          | 2  |
| 8                                | 10000427       | 下轴斜齿轮     | HOOK DRIVING GEAR              | 1  |
| 9                                | 10000425       | 下轴中轴套     | LOWER SHAFT INNER METAL        | 1  |
| 10                               | 10003791       | 下轴中轴套油封   | OIL SEAL                       | 1  |
| 11                               | 10013590       | 下轴中轴承挡圈螺钉 | SCREW                          | 2  |
| 12                               | 10009778       | 下轴中轴承     | LOWER SHAFT INNER BEARING ASM. | 1  |
| 13                               | 10000378       | 下轴挡圈      | THRUST COLLAR ASM.             | 1  |
| 14                               | 10000428       | 剪线凸轮紧固螺钉  | SCREW                          | 2  |
| 15                               | 10000431       | 剪线凸轮      | THREAD TRIMMER CAM             | 1  |
| 16                               | 10000430       | 下轴        | LOWER SHAFT                    | 1  |
| 17                               | 10007409       | 下轴前轴套油封   | OIL SEAL                       | 2  |
| 18                               | 10000432       | 下轴前轴套     | LOWER SHAFT FRONT BEARING BUSH | 1  |
| 19                               | 10003608       | 下轴前轴承     | BEARING A 10                   | 1  |

10. 切刀部件

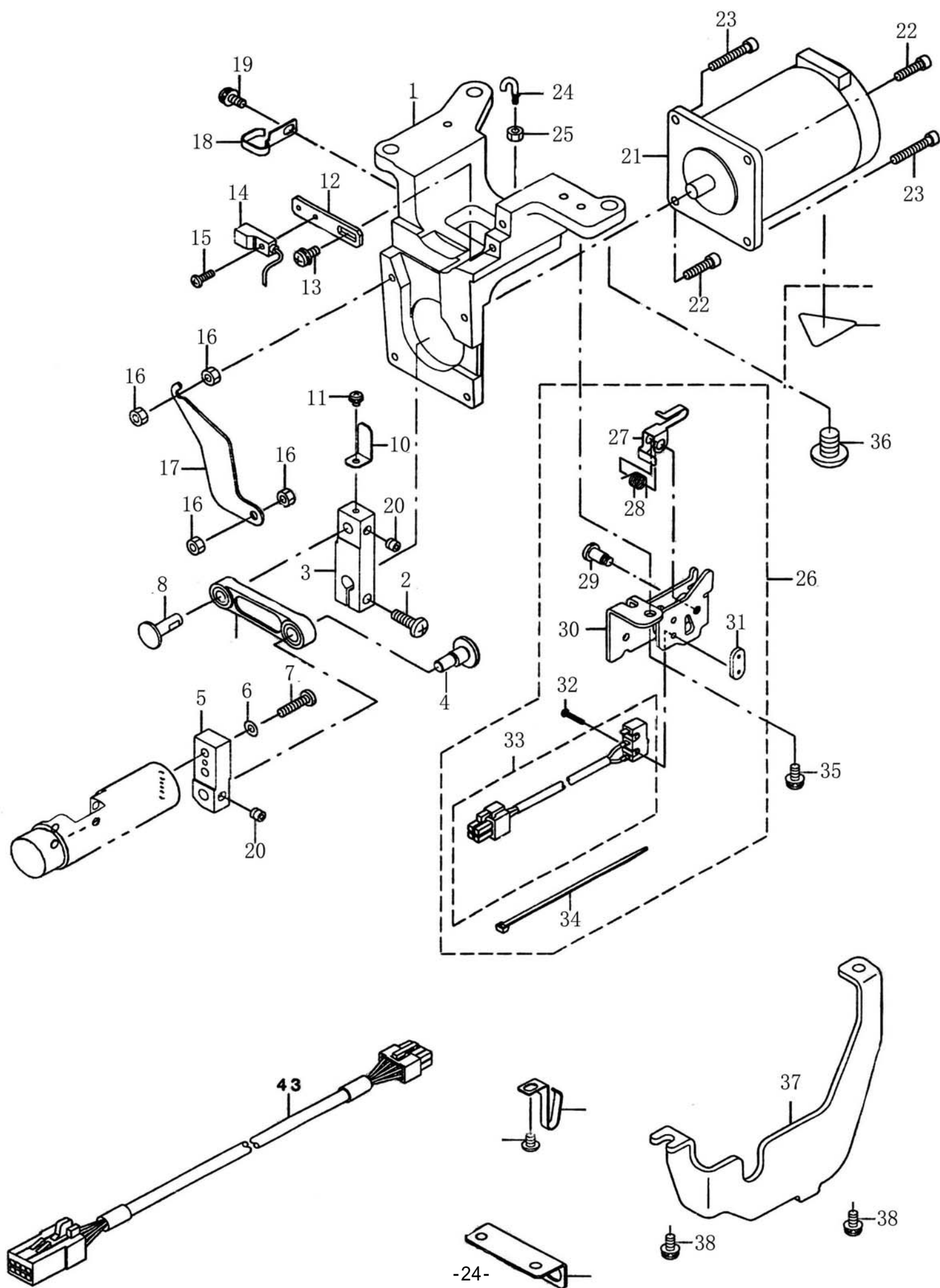
THREAD TRIMMER MECHANISM COMPONENTS



| 10. 切刀部件                            |                |          |                         |    |
|-------------------------------------|----------------|----------|-------------------------|----|
| THREAD TRIMMER MECHANISM COMPONENTS |                |          |                         |    |
| 序号<br>NO.                           | 图号<br>Part No. | 描述       | Description             | 数量 |
| 1                                   | 10000028       | 电磁铁销     | CLUTH LINK PIN          | 1  |
| 2                                   | 10000030       | 切刀电磁铁    | THREAD TRIMMER SOLENOID | 1  |
| 3                                   | 10003231       | 电磁铁销挡圈   | E-RING                  | 1  |
| 4                                   | 10000360       | 电磁铁连板    | CLUTH LINK              | 1  |
| 5                                   | 10000359       | 驱动板螺钉    | HIGH SCREW              | 1  |
| 6                                   | 10005634       | 驱动板挡圈    | E-RING                  | 1  |
| 7                                   | 10000367       | 驱动板组件    | CLUTCH PLATE ASM        | 1  |
| 8                                   | 10000358       | 驱动板复位簧   | CLUTCH RETURN SPRING    | 1  |
| 9                                   | 10000024       | 凸轮从动器架组件 | BASE PLATE ASM          | 1  |
| 10                                  | 10003044       | 电磁铁固定螺钉  | SCREW                   | 3  |
| 11                                  | 10000077       | 螺钉       | SCREW                   | 2  |
| 12                                  | 10009735       | 螺钉       | SCREW                   | 2  |
| 13                                  | 10000587       | 曲柄复位挡板   | DRIVING ARM STOPPER     | 1  |
| 14                                  | 10000026       | 驱动曲柄复位簧  | KNIFE RETURN SPARING    | 1  |
| 15                                  | 10005634       | 驱动曲柄定位挡圈 | E-RING                  | 1  |
| 16                                  | 10005655       | 剪线驱动曲柄部件 | KNIFE DRIVING ARM ASM   | 4  |
| 17                                  | 10000025       | 连接销      | MOVING KNIFE LINK PIN   | 1  |
| 18                                  | 10012795       | 托板支承架挡圈  | E-RING                  | 2  |
| 19                                  | 10005636       | 托板支承架    | ROLLER ARM SEAT         | 1  |
| 20                                  | 10010016       | 螺钉       | SCREW                   | 1  |
| 21                                  | 10005668       | 托板支架销    | ROLLER FULCRUM SHAFT    | 1  |
| 22                                  | 10005676       | 托板复位簧    | ROLLER RETURN SPRING    | 1  |
| 23                                  | 10005805       | 凸轮滚柱托板部件 | ROLLER ARM ASM          | 1  |
| 24                                  | 10000024       | 连接销套     | MOVING KNIFE LINK BASE  | 1  |
| 25                                  | 10000586       | 驱动连板     | MOVING KNIFE LINK       | 1  |
| 26                                  | 10005637       | 连接销垫圈    | WASHER                  | 1  |
| 27                                  | 10005808       | 连接销螺母    | NUT                     | 1  |
| 28                                  | 10013038       | 动刀驱动架销挡圈 | E-RING                  | 1  |
| 29                                  | 10010725       | 螺母       | NUT                     | 1  |
| 30                                  | 10000031       | 螺钉       | SCREW                   | 1  |
| 31                                  | 10000023       | 动刀驱动架组件  | FORK KNIFE ASM          | 1  |
| 32                                  | 10000035       | 夹紧板螺钉    | SCREW                   | 1  |
| 33                                  | 10000033       | 螺钉       | SCREW                   | 1  |
| 34                                  | 10025157       | 切刀组件     | KNIFE UNIT              | 1  |
| 35                                  | 10000038       | 切刀板      | SLIDING PLATE           | 1  |
| 36                                  | 10000438       | 夹紧板      | FIXED PLATE             | 1  |
| 37                                  | 10000439       | 上切刀      | FIXED KNIFE             | 1  |
| 38                                  | 10000027       | 下切刀组件    | DRIVING KNIFE ASM       | 1  |
| 39                                  | 10000442       | 弹簧盖帽     | LOCATING SPRING WASHER  | 1  |
| 40                                  | 10000440       | 前刀钩K     | KNIFE STOPPER, RIGHT    | 1  |
| 41                                  | 10000025       | 刀钩弹簧     | SPRING                  | 1  |
| 42                                  | 10000443       | 后刀钩      | KNIFE STOPPER, LEFT     | 1  |
| 43                                  | 10000037       | 切刀架      | KNIFE BASE              | 1  |
| 44                                  | 10000032       | 螺钉       | SCREW                   | 2  |
| 45                                  | 10000438       | 螺钉       | SCREW                   | 2  |
| 46                                  | 10000036       | 螺钉垫片     | WASHER                  | 1  |
| 47                                  | 10000445       | 弹簧片组件    | CLAMP PLATE ASM         | 1  |
| 48                                  | 10002398       | 毛毡       | FELT                    | 1  |
| 49                                  | 10000444       | 切刀弹簧片    | CLAMP PLATE             | 1  |
| 50                                  | 10003070       | 螺钉弹簧垫片   | SPRING WASHER           | 1  |
| 51                                  | 10000445       | 螺钉       | SCREW                   | 2  |

# 11.自动导送料

## AUTOMATIC REVERSE FEED MECHANISM COMPONENTS

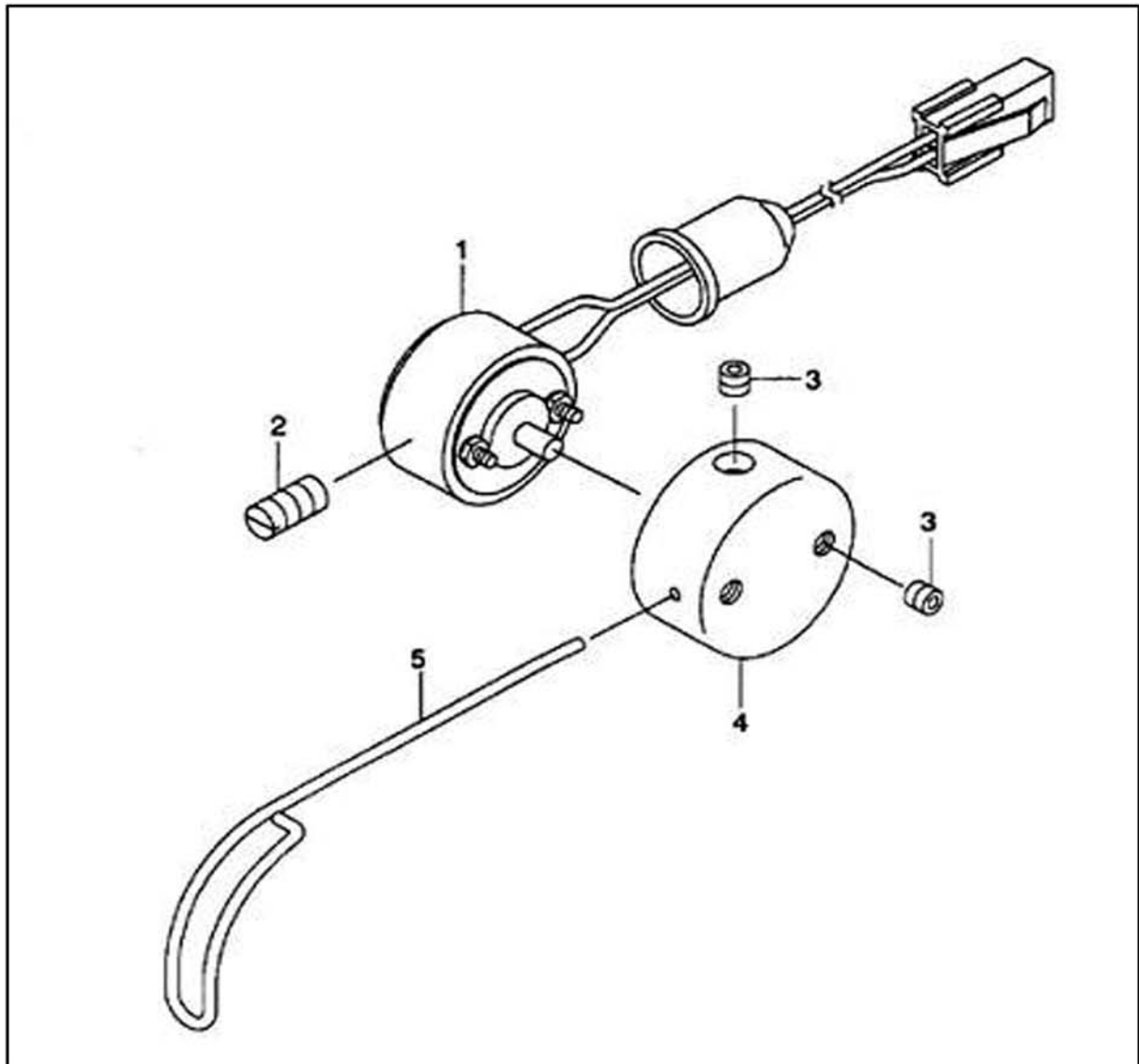


| 11. 自动倒送料部件                                 |                |            |                             |    |
|---|----------------|------------|-----------------------------|----|
| AUTOMATIC REVERSE FEED MECHANISM COMPONENTS |                |            |                             |    |
| 序号<br>NO.                                   | 图号<br>Part No. | 描述         | Description                 | 数量 |
| 1   | 10000691       | 送料电机安装座    | SEAT OF FEED MOTOR          | 1  |
| 2   | 10000654       | 螺钉         | SCREW                       | 1  |
| 3   | 10000655       | 送料电机连杆     | FEED MOTOR LINK             | 1  |
| 4   | 10000693       | 传动轴连杆销     | PIN                         | 1  |
| 5   | 10000694       | 传动轴连杆      | LINK                        | 1  |
| 6   | 10000417       | 传动轴连杆螺钉垫片  | WASHER                      | 1  |
| 7   | 10000701       | 传动轴连杆螺钉    | SCREW                       | 1  |
| 8   | 10000640       | 送料连杆销      | PIN                         | 2  |
| 9   | 10000765       | 送料连杆组件     | FEED LINK ASM               | 1  |
| 10  | 10000696       | 传感器感应片     | SENSE ORGAN INDUCTIVE PIECE | 1  |
| 11  | 10002411       | 传感器螺钉组件    | SCREW                       | 1  |
| 12  | 10000695       | 传感器安装板     | SENSE ORGAN FIXING BOARD    | 1  |
| 13  | 10000707       | 传感器安装板螺钉组件 | SCREW                       | 1  |
| 14  | 10003734       | 步进电机感应器    | PULSE MOTOR INDUCTOR        | 1  |
| 15  | 10003060       | 螺钉         | SCREW                       | 1  |
| 16  | 10009471       | 螺母         | NUT                         | 4  |
| 17  | 10000721       | 挡板         | BAFFLE                      | 1  |
| 18  | 10000092       | 线夹         | TENSION                     | 4  |
| 19  | 10000707       | 线夹螺钉组件     | SCREW                       | 4  |
| 20  | 10012162       | 送料连杆销螺钉    | SCREW                       | 2  |
| 21  | 10024500       | 步进电机       | PULSE MOTOR                 | 1  |
| 22  | 10000698       | 步进电机短螺钉    | SCREW                       | 1  |
| 23  | 10000698       | 步进电机长螺钉    | SCREW                       | 1  |
| 24  | 10000697       | 倒缝扳手复位弹簧勾  | SPRING                      | 1  |
| 25  | 10003025       | 螺母         | NUT                         | 1  |
| 26  | 10021598       | 安全开关组件     | SAFETY SWITCH ASM.          | 1  |
| 27  | 10000124       | 开关驱动杆      | SAFETY SWITCH ARM           | 1  |
| 28  | 10005855       | 弹簧         | SAFETY SWITCH SPRING        | 1  |
| 29  | 10012612       | 保险开关支架轴    | SAFETY SWITCH ARM SHAFT     | 1  |
| 30  | 10000147       | 开关架        | SAFETY SWITCH BASE          | 1  |
| 31  | 10005877       | 螺母         | NUT                         | 1  |
| 32  | 10003052       | 螺钉         | SCREW                       | 2  |
| 33  | 10002499       | 安全开关线X34   | SAFETY SWITCH CORD ASM.     | 1  |
| 34  |                | 电线自锁夹      | CABLE BAND                  | 1  |
| 35  | 10000148       | 安全开关螺钉     | SCREW                       | 2  |
| 36  | 10000762       | 螺钉         | SCREW                       | 3  |
| 37  | 10000700       | 后支脚        | REAR                        | 1  |
| 38  | 10000077       | 螺钉         | SCREW                       | 2  |



## 12. 挑线部件

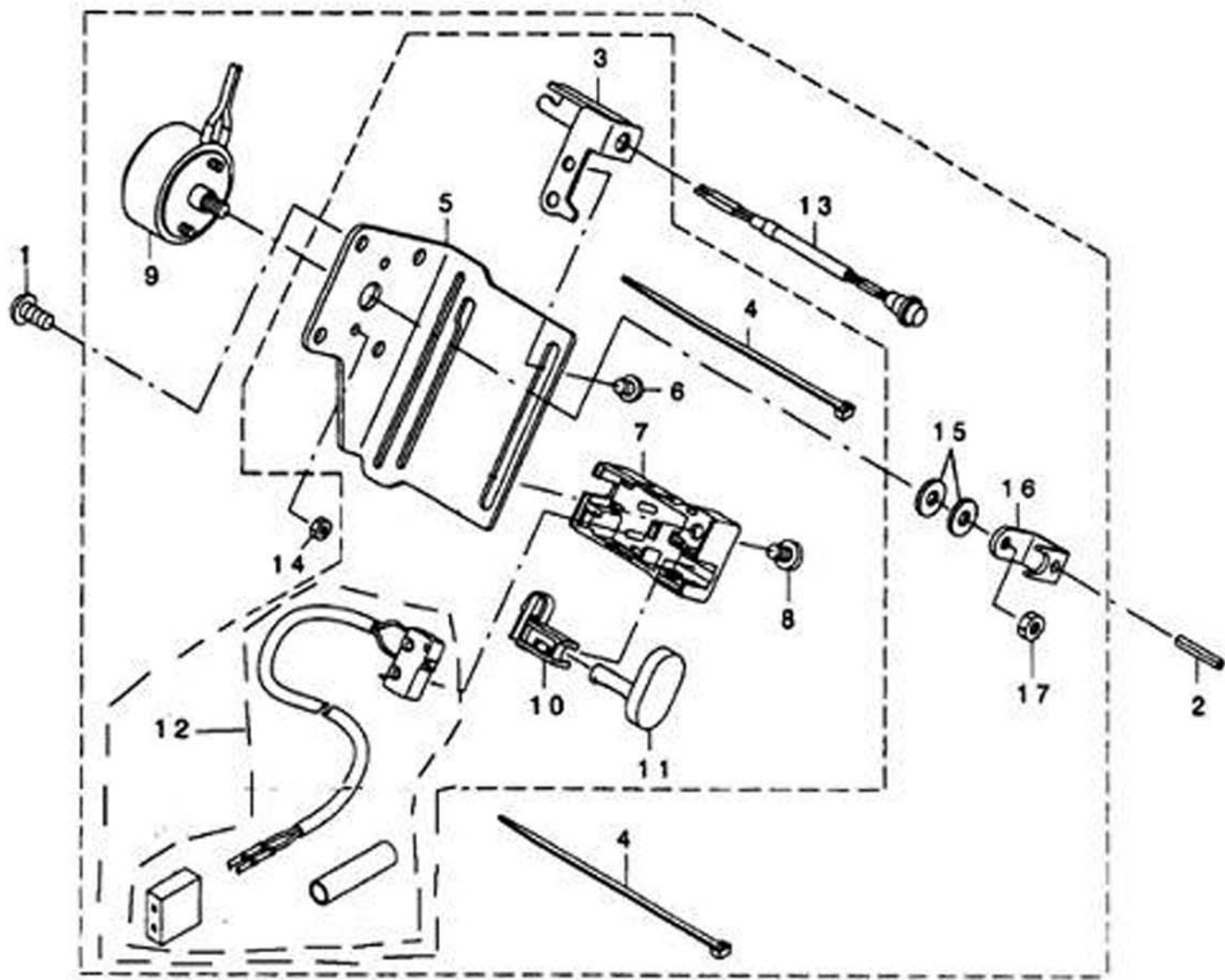
### THREAD FEEDER COMPONENTS



| 12. 挑线部件                 |                |            |                          |    |
|--------------------------|----------------|------------|--------------------------|----|
| THREAD FEEDER COMPONENTS |                |            |                          |    |
| 序号<br>NO.                | 图号<br>Part No. | 描述         | Description              | 数量 |
| 1                        | 10000496       | 挑线电磁铁      | FEEDER SOLENOID ASM      | 1  |
| 2                        | 10000320       | 挑线杆电磁铁紧固螺钉 | SCREW                    | 1  |
| 3                        | 10013590       | 电磁铁罩紧固螺钉   | SCREW                    | 3  |
| 4                        | 10000494       | 挑线电磁铁罩     | FEEDER WIRE FITTING BASE | 1  |
| 5                        | 10000495       | 挑线杆        | FEEDER WIRE              | 1  |

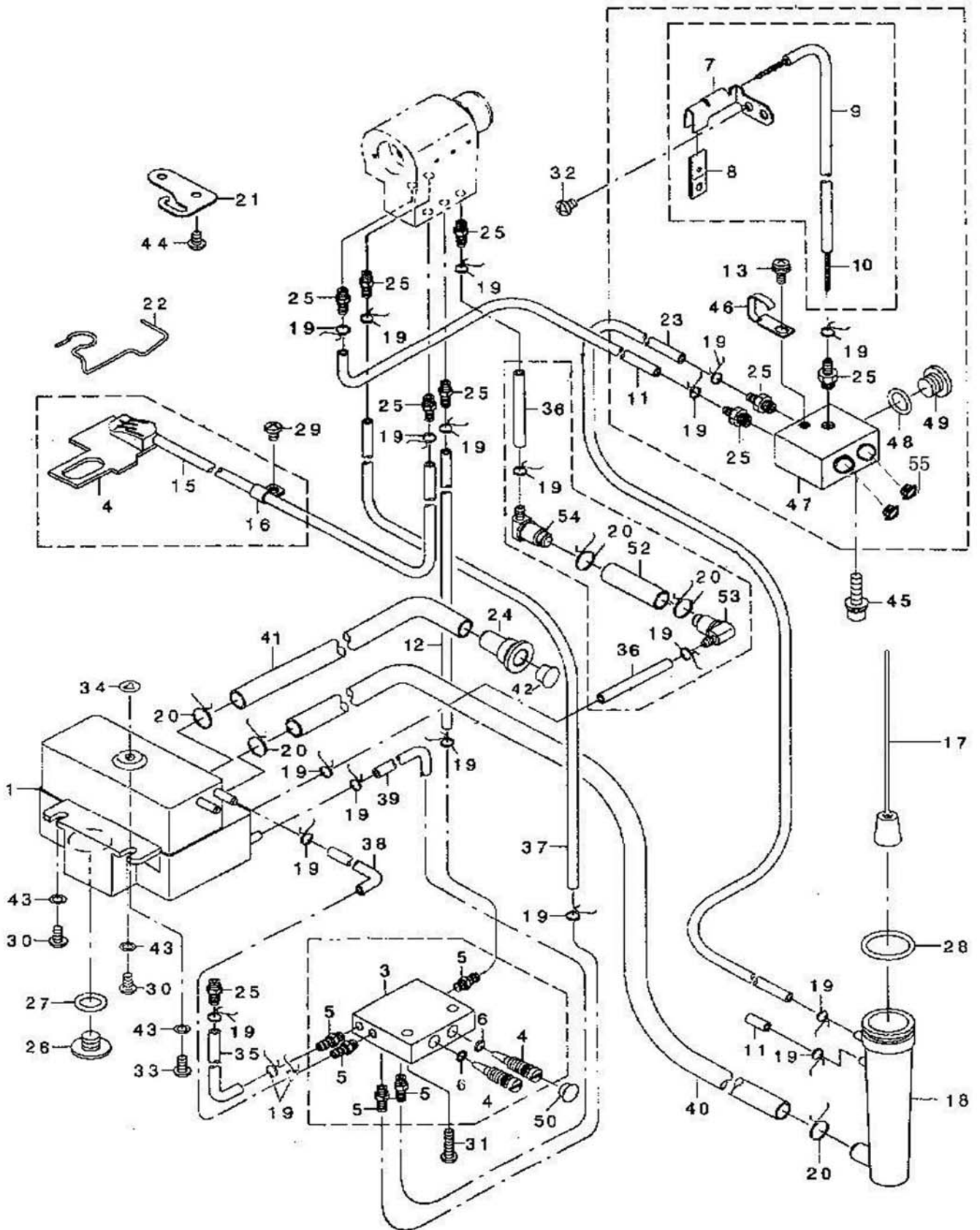
13. 松线及倒缝按钮部件

THREAD RELEASE SOLENOID COMPONENTS



| 13. 松线及倒缝按钮部件                      |                |            |                               |    |
|------------------------------------|----------------|------------|-------------------------------|----|
| THREAD RELEASE SOLENOID COMPONENTS |                |            |                               |    |
| 序号<br>NO.                          | 图号<br>Part No. | 描述         | Description                   | 数量 |
| 1                                  | 10001281       | 电磁铁固定板固紧螺钉 | SCREW                         | 4  |
| 2                                  | 10009324       | 销          | SPRING PIN                    | 1  |
| 3                                  | 10001271       | 指示灯固定架     | MANUAL SWITCH BASE GUIDE      | 1  |
| 4                                  |                | 电线自锁夹      | CABLE BAND                    | 1  |
| 5                                  | 10000502       | 松线电磁铁固定板   | MANUAL SWITCH BASE            | 1  |
| 6                                  | 10002400       | 指示灯固定架螺钉   | SCREW                         | 1  |
| 7                                  | 10000510       | 点动开关盒      | REVERSE FEED SWITCH COVER     | 1  |
| 8                                  | 10002940       | 螺钉         | SCREW                         | 1  |
| 9                                  | 10000507       | 松线电磁铁      | THREAD RELEASE SOLENOID COMPL | 1  |
| 10                                 | 10000511       | 开关弹簧       | REVERSE FEED SWITCH SUPPORT   | 1  |
| 11                                 | 10000597       | 按钮         | REVERSE FEED SWITCH SHAFT     | 1  |
| 12                                 | 10002569       | 电器开关       | REVERSE FEED CORD ASM         | 1  |
| 13                                 | 10000499       | 指示灯        | SW LED CABLE A ASM            | 1  |
| 14                                 | 10003025       | 电磁铁小螺母     | NUT                           | 2  |
| 15                                 | 10000497       | 垫片         | FRAME SIDE COVER GASKET       | 2  |
| 16                                 | 10000498       | 松线板        | THREAD RELEASE PUSH PLATE     | 1  |
| 17                                 | 10009471       | 电磁铁大螺母     | NUT                           | 1  |

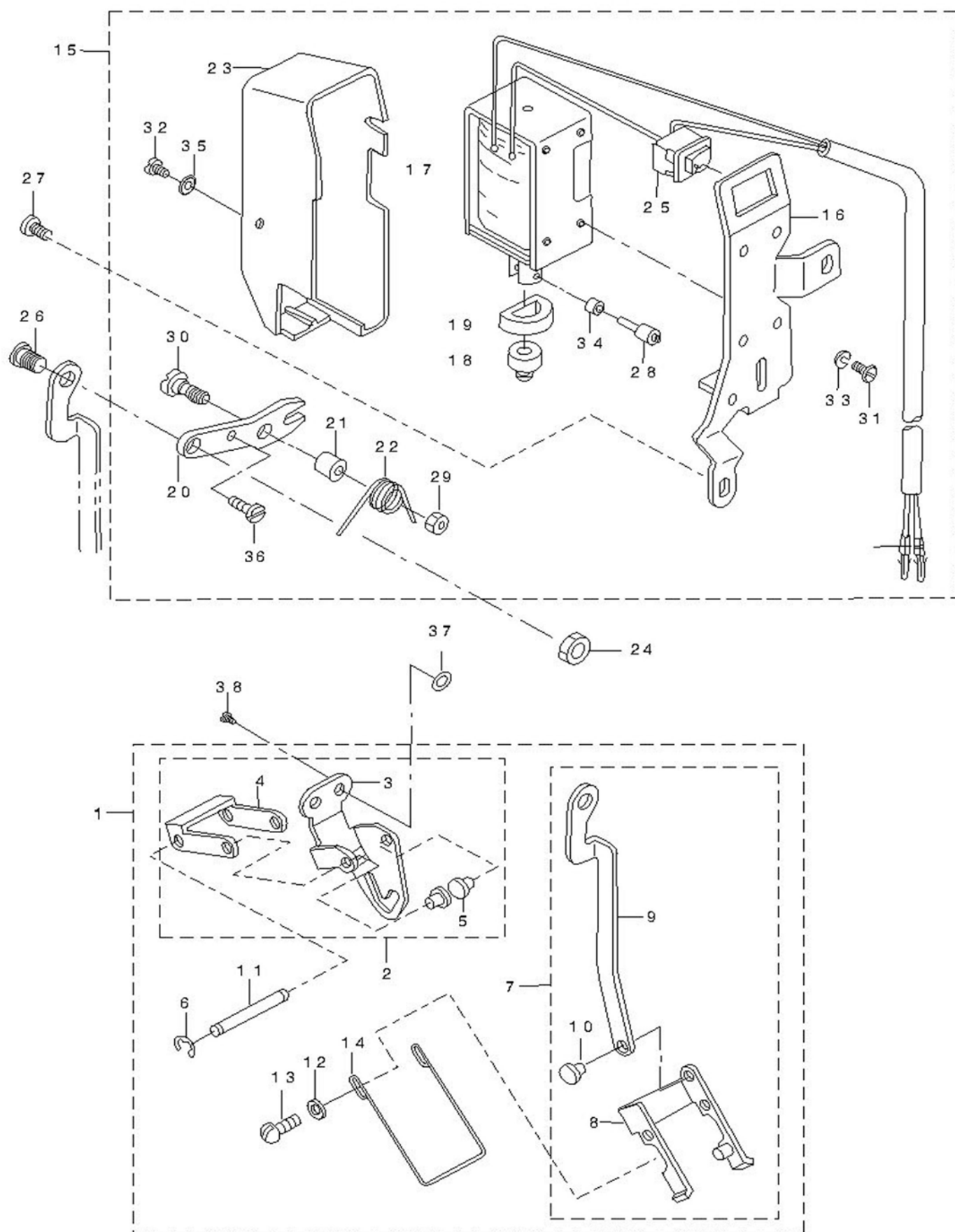
14. 油路部件  
LUBRICATION COMPONENTS



| 14. 油路部件               |                |               |                               |    |
|------------------------|----------------|---------------|-------------------------------|----|
| LUBRICATION COMPONENTS |                |               |                               |    |
| 序号<br>NO.              | 图号<br>Part No. | 描述            | Description                   | 数量 |
| 1                      | 10000570       | 油盒            | OIL TANK ASM.                 | 1  |
| 2                      | 20006610       | 油量调节阀组件       | HOOK OIL REGULATING ASM.      | 1  |
| 3                      | 10002401       | 油量调节阀         | HOOK OIL REGULATING           | 1  |
| 4                      | 10000566       | 油量调节杆         | HOOK OIL REGULATING SCREW     | 2  |
| 5                      | 10008779       | 油管接头          | LUBRICATION CONNECTOR         | 6  |
| 6                      | 10000567       | 油量调节阀O形圈      | RUBBER RING                   | 2  |
| 7                      | 10000419       | 机头润滑油管油毡安装板   | FACE LUBRICATION PRESSER      | 1  |
| 8                      | 10000418       | 机头润滑油管油毡      | BALANCE LUBRICATING           | 1  |
| 9                      | 10007800       | 机头润滑油管        | TUBE                          | 1  |
| 10                     | 10008068       | 机头润滑油线        | OUL WICK                      | 1  |
| 11                     | 10007800       | 中转箱供油油管       | TUBE                          | 1  |
| 12                     | 10007800       | 中转箱吸油管1       | TUBE                          | 1  |
| 13                     | 10000422       | 油管夹螺钉         | SCREW                         | 1  |
| 14                     | 10000571       | 回油管油毡         | ONCE THROUGH OIL FELT         | 1  |
| 15                     | 10007800       | 回油管           | TUBE                          | 1  |
| 16                     | 10004476       | 回油管夹          | HOLDER                        | 1  |
| 17                     | 10000569       | 油标组件          | FLOATER ASM.                  | 1  |
| 18                     | 10000709       | 油杯            | FLOATER CASE                  | 1  |
| 19                     | 10008781       | 小油管紧固簧        | PIPE STOPPER A                | 20 |
| 20                     | 10008785       | 大油管紧固簧        | PIPE STOPPER B                | 3  |
| 21                     | 10000630       | 油管定位板         | LUBRICATION TANK PIPE GUIDE   | 1  |
| 22                     | 10000420       | 毛毡压杆          | ONCE THROUGH OIL FELT PRESSER | 1  |
| 23                     | 10007800       | 中转箱回油管        | TUBE                          | 1  |
| 24                     | 10008780       | 加油杯           | OIL INLE                      | 1  |
| 25                     | 10008779       | 油管接头          | LUBRICATION CONNECTOR         | 8  |
| 26                     | 10008783       | 油盒短螺钉         | SCREW                         | 2  |
| 27                     | 10022793       | 油盒O形圈         | RUBBER RING                   | 1  |
| 28                     | 10008777       | 油杯O形圈         | RUBBER RING                   | 1  |
| 29                     | 10008778       | 机头润滑油管油毡安装板螺钉 | SCREW                         | 1  |
| 30                     | 10000099       | 油合紧固螺钉        | SCREW                         | 2  |
| 31                     | 10000347       | 油量调节阀组件螺钉     | SCREW                         | 2  |
| 32                     | 10008778       | 回油管夹螺钉        | SCREW                         | 1  |
| 33                     | 10009900       | 油合长螺钉         | SCREW                         | 1  |
| 34                     | 10011135       | 垫圈            | STOPPER                       | 1  |
| 35                     | 10007800       | 旋梭进油管         | TUBE                          | 1  |
| 36                     | 10007800       | 吸油管           | TUBE                          | 2  |
| 37                     | 10007800       | 旋梭供油管         | TUBE                          | 1  |
| 38                     | 10007800       | 调节阀回油管        | TUBE                          | 1  |
| 39                     | 10007800       | 中转箱吸油管2       | TUBE                          | 1  |
| 40                     | 10007806       | 油杯大油管         | TUBE B                        | 1  |
| 41                     | 10007806       | 总进油管          | TUBE B                        | 1  |
| 42                     | 10000405       | 总进油管油塞        | RUBBER PLUG                   | 1  |
| 43                     | 10000417       | 油泵紧固螺钉垫片      | WASHER                        | 2  |
| 44                     | 10000098       | 油管定位板螺钉       | SCREW                         | 2  |
| 45                     | 10000157       | 中转箱固定螺钉       | SCREW                         | 2  |
| 46                     | 10000082       | 油管夹           | LUBRICATING OIL WICK STOPPER  | 1  |

|    |          |         |                  |   |
|----|----------|---------|------------------|---|
| 47 | 10000421 | 机头供油中转箱 | OIL BOX          | 1 |
| 48 | 10000079 | 中转箱O形圈  | RUBBER RING      | 1 |
| 49 | 10000423 | 螺钉      | SCREW            | 1 |
| 50 | 10000091 | 调节阀油塞   | RUBBER PLUG      | 1 |
| 51 | 10000091 | 油杯密封套   | RUBBER PLUG      | 1 |
| 52 | 10007806 | 过滤网油管   | TUBE             | 1 |
| 53 | 10000468 | 油管二接头   | DISTRIBUTOR      | 1 |
| 54 | 10000471 | 油管二接头组件 | DISTRIBUTOR ASM. | 1 |
| 55 | 10000405 | 中转箱密封油封 | OIL SEAL         | 2 |

15. 拔线部件  
WIPER MECHANISM COMPONENTS

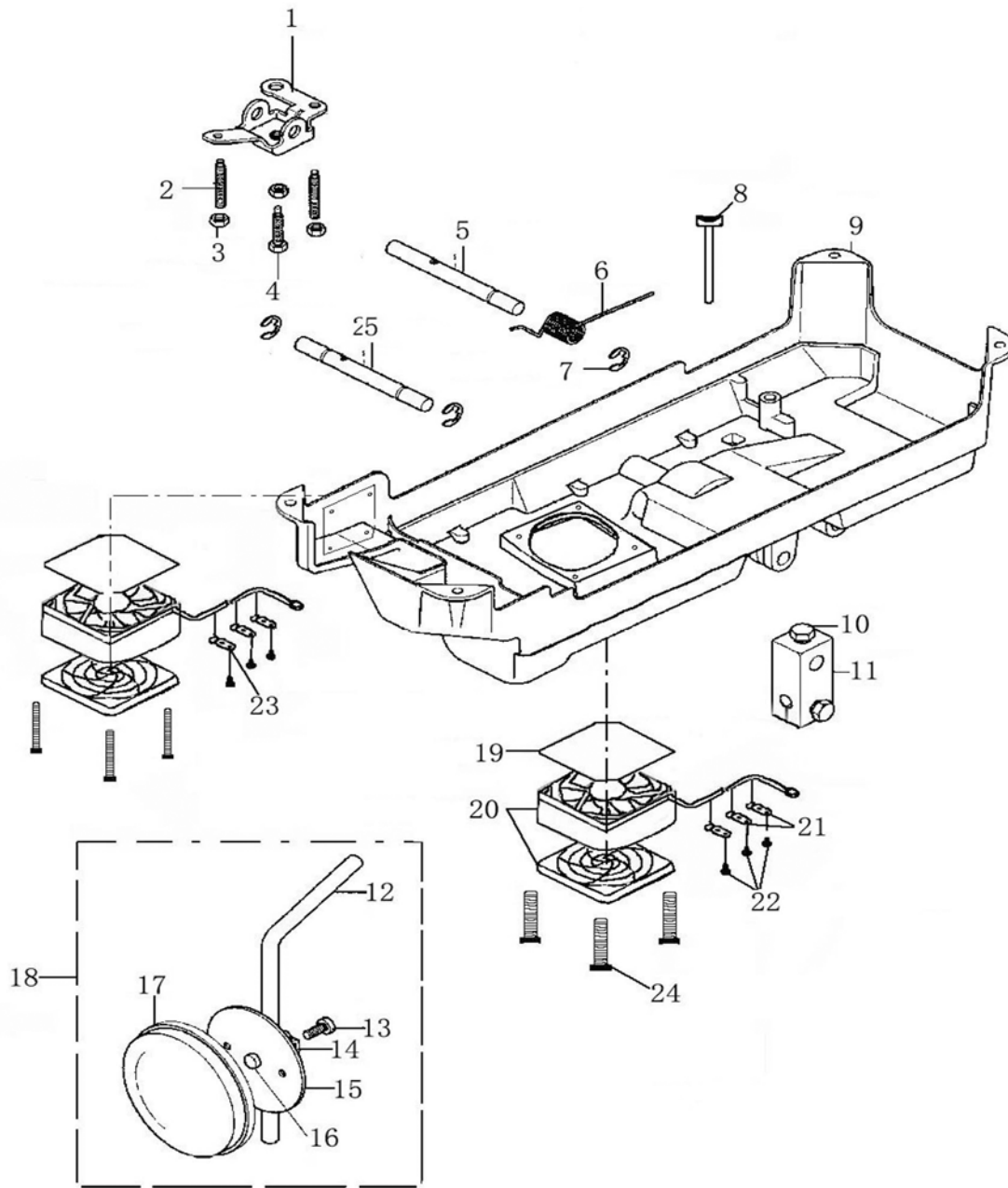




| 15. 拨线部件                   |                |           |                          |    |
|----------------------------|----------------|-----------|--------------------------|----|
| WIPER MECHANISM COMPONENTS |                |           |                          |    |
| 序号<br>NO.                  | 图号<br>Part No. | 描述        | Description              | 数量 |
| 1                          | 10000054       | 拨线器组件     | WIPER ASM                | 1  |
| 2                          | 10000533       | 拨线器架组件    | WIPER BASE ASM           | 1  |
| 3                          | 10000532       | 拨线器固定架    | WIPER BASE               | 1  |
| 4                          | 10000531       | 拨线小连板     | WIPER LINK 1             | 1  |
| 5                          | 10000045       | 驱动板连接销    | PIN                      | 2  |
| 6                          | 10003248       | 挡圈        | E-RING                   | 2  |
| 7                          | 10000530       | 驱动板组件     | WIPER LINK COMPL         | 1  |
| 8                          | 10000529       | 拨线架       | WIPER LINK ASM. 2        | 1  |
| 9                          | 10000634       | 驱动板       | WIPPER LINK              | 1  |
| 10                         | 10000045       | 驱动板连接销    | PIN                      | 1  |
| 11                         | 10000050       | 拨线杆架连接销   | WIPER LINK SHAFT         | 1  |
| 12                         | 10000051       | 拨线杆垫片     | WASHER                   | 2  |
| 13                         | 10000052       | 拨线杆螺钉     | SCREW                    | 2  |
| 14                         | 10000053       | 拨线杆       | WIPER                    | 1  |
| 15                         | 10000049       | 拨线电磁铁组件   | WIPER SOLENOID ASM       | 1  |
| 16                         | 10000044       | 拨线电磁铁固定架  | WIPER BASE               | 1  |
| 17                         | 10000046       | 拨线电磁铁     | WIPER SOLENOID           | 1  |
| 18                         | 10012488       | 铁芯复位垫     | WIPER RUBBER A           | 1  |
| 19                         | 10005739       | 铁芯橡皮垫     | WIPER RUBBER B           | 1  |
| 20                         | 10000047       | 拨线传动板     | WIPER LINK               | 1  |
| 21                         | 10005769       | 轴位螺钉定位套   | WIPER HINGE SCREW COLLAR | 1  |
| 22                         | 10005770       | 传动板复位簧    | WIPER SPRING             | 1  |
| 23                         | 10005724       | 拨线器罩      | WIPER COVER              | 1  |
| 24                         | 10000100       | 驱动板螺钉螺母   | NUT                      | 1  |
| 25                         | 10000046       | 拨线器开关     | POWER SWITCH             | 1  |
| 26                         | 10000042       | 驱动板轴位螺钉   | HINGE SCREW              | 1  |
| 27                         | 10000098       | 拨线电磁铁架螺钉  | SCREW                    | 2  |
| 28                         | 10005719       | 铁芯传动销     | WIPER SOLENOID PIN       | 1  |
| 29                         | 10005735       | 传动板轴位螺钉螺母 | NUT                      | 1  |
| 30                         | 10000048       | 传动板轴位螺钉   | HINGE SCREW              | 1  |
| 31                         | 10003036       | 拨线电磁铁安装螺钉 | SCREW                    | 4  |
| 32                         | 10003036       | 拨线器罩螺钉    | SCREW                    | 1  |
| 33                         | 10003082       | 安装螺钉垫圈    | SPRING WASHER            | 4  |
| 34                         | 10005769       | 传动销滚柱     | WIPER LINK COLLAR        | 1  |
| 35                         | 10002998       | 拨线器罩螺钉垫圈  | WASHER                   | 1  |
| 36                         | 10008458       | 弹簧复位螺钉    | SCREW                    | 1  |
| 37                         | 10000043       | 拨线器固定螺钉垫片 | WASHER                   | 2  |
| 38                         | 10000042       | 拨线器固定螺钉   | SCREW                    | 2  |

16.膝提部件

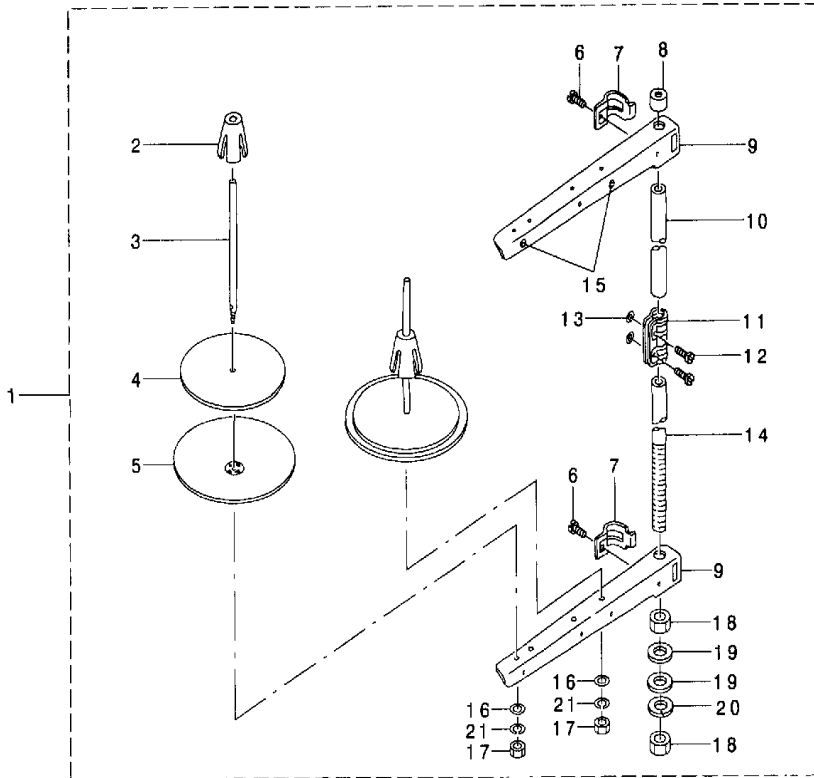
UNDER COVER COMPONENTS



| 16. 底座部件               |                |            |                         |    |
|------------------------|----------------|------------|-------------------------|----|
| UNDER COVER COMPONENTS |                |            |                         |    |
| 序号<br>NO.              | 图号<br>Part No. | 描述         | Description             | 数量 |
| 1                      | 10008383       | 膝控限位架      | BRACKET                 | 1  |
| 2                      | 10003895       | 双向曲柄限位调节螺柱 | SCREW                   | 2  |
| 3                      | 10003890       | 双向曲柄限位调节螺母 | NUT                     | 2  |
| 4                      | 10003898       | 双向曲柄定位螺钉   | SCREW                   | 1  |
| 5                      | 10008466       | 抬压脚轴       | KNEE PRESS ROD          | 1  |
| 6                      | 10012677       | 复位弹簧       | SPRING                  | 1  |
| 7                      | 10002559       | 挡圈         | E-RING                  | 1  |
| 8                      | 10012631       | 抬压脚顶杆      | KNEE LIFTER PRESSER ROD | 1  |
| 9                      | 10000011       | 油盘         | UNDER COVER ASM         | 1  |
| 10                     | 10002613       | 螺栓         | SCREW                   | 2  |
| 11                     | 10003896       | 操作杆接头      | BRACKET                 | 1  |
| 12                     | 10003901       | 操纵杆        | KNEE PAD UPRIGHT SHAFT  | 1  |
| 13                     | 10003894       | 接头螺钉       | SCREW                   | 1  |
| 14                     | 10003897       | 操纵杆接头      | KNEE PAD PLATE SUPPORT  | 1  |
| 15                     | 10003891       | 操纵板        | KNEE PAD PLATE ASM      | 1  |
| 16                     | 10003900       | 操纵杆垫       | KNEE PAD PLATE RUBBER   | 1  |
| 17                     | 10004223       | 操纵杆软垫      | KNEE PAD PLATE COVER    | 1  |
| 18                     | 10009985       | 操纵杆部件      | KNEE PAD PLATE ASM      | 1  |
| 19                     | 10000010       | 风扇铁丝网      | WIRE OF FAN             | 2  |
| 20                     | 10000012       | 风扇组件       | FAN ASM                 | 2  |
| 21                     | 10008228       | SL-12N夹头   | COLLET                  | 3  |
| 22                     | 10005309       | 螺钉         | SCREW                   | 3  |
| 23                     | 10008228       | SN-3A夹头    | COLLET                  | 3  |
| 24                     | 10003416       | 螺钉         | SCREW                   | 8  |

17. THREAD STAND COMPONENTS

线架部件



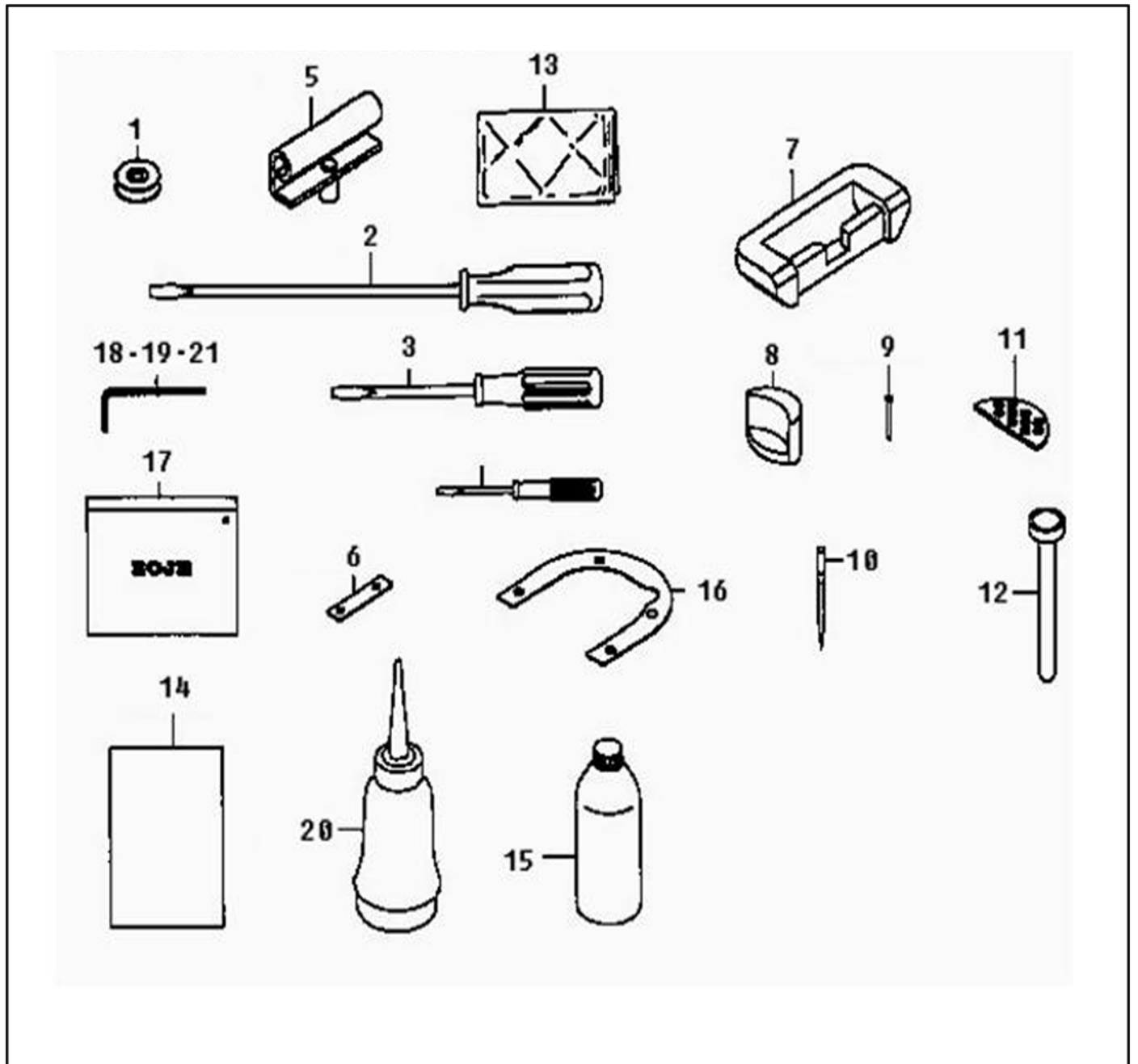
18. 附件

ACCESSORIES PART COMPONENTS

| 序号<br>NO. | 图号<br>Part No. | 描述  | Description      | 数量 |
|-----------|----------------|-----|------------------|----|
| 1         | 10024216       | 二线架 | THREAD STAND ASM | 1  |

18.附件

ACCESSOR PART COMPONENTS



| 18. 附件                      |                |         |                           |    |
|-----------------------------|----------------|---------|---------------------------|----|
| ACCESSORIES PART COMPONENTS |                |         |                           |    |
| 序号<br>NO.                   | 图号<br>Part No. | 描述      | Description               | 数量 |
| 1                           | 10010377       | 梭心      | BOBBINS                   | 1  |
| 2                           | 10010994       | 大螺丝刀    | SCREW DRIVER. LARGE       | 1  |
| 3                           | 10010995       | 中螺丝刀    | SCREW DRIVER, MIDDLE      | 1  |
| 4                           | 10013185       | 小螺丝刀    | SCREW DRIVER, SMALL       | 1  |
| 5                           | 10004466       | 机头连接钩部件 | HINGE COMPL               | 3  |
| 6                           | 10001242       | 垫板      | SPACER                    | 1  |
| 7                           | 10006286       | 机头连接钩座  | RUBBER CUSHION            | 3  |
| 8                           | 10013113       | 油盘支座    | FRAME BUBBER CUSHION      | 2  |
| 9                           | 10003889       | 油盘座钉    | NAIL                      | 8  |
| 10                          | 10003366       | 机针      | NEEDLE                    | 1  |
| 11                          | 10013101       | 油盘座垫    | WASHER                    | 2  |
| 12                          | 10012631       | 抬压脚顶杆   | KNEE LIFTER PRESSER ROD   | 1  |
| 13                          | 10004971       | 机头塑料膜   | VINYL COVER               | 1  |
| 14                          |                | 合格证部件   | EC PRODUCTION DECLARATION |    |
| 15                          | 20002272       | 600油壶   | DEFRIX OIL NO. 1          | 1  |
| 16                          | 10002512       | 推板垫圈    | SPACER                    | 1  |
| 17                          | 10001177       | 机头罩     | ACCESSORIE BAG            | 1  |
| 18                          | 10009683       | 内六角扳手   | WRENCH                    | 1  |
| 19                          | 10009686       | 内六角扳手   | WRENCH                    | 1  |
| 20                          | 10013294       | 小油壶     | OILER ASM                 | 1  |
| 21                          | 10009685       | 内六角扳手   | HEXAGONAL WRENCH KEY      | 3  |