



直驱高速平缝机 ZJ9513 Series
DIRECT-DRIVE HIGH SPEED LOCKSTITCH
SEWING MACHINE

零件手册 PARTS BOOK

浙江中捷缝纫科技有限公司
ZOJE SEWING MACHINE CO., LTD.

目 录

CONTENTS

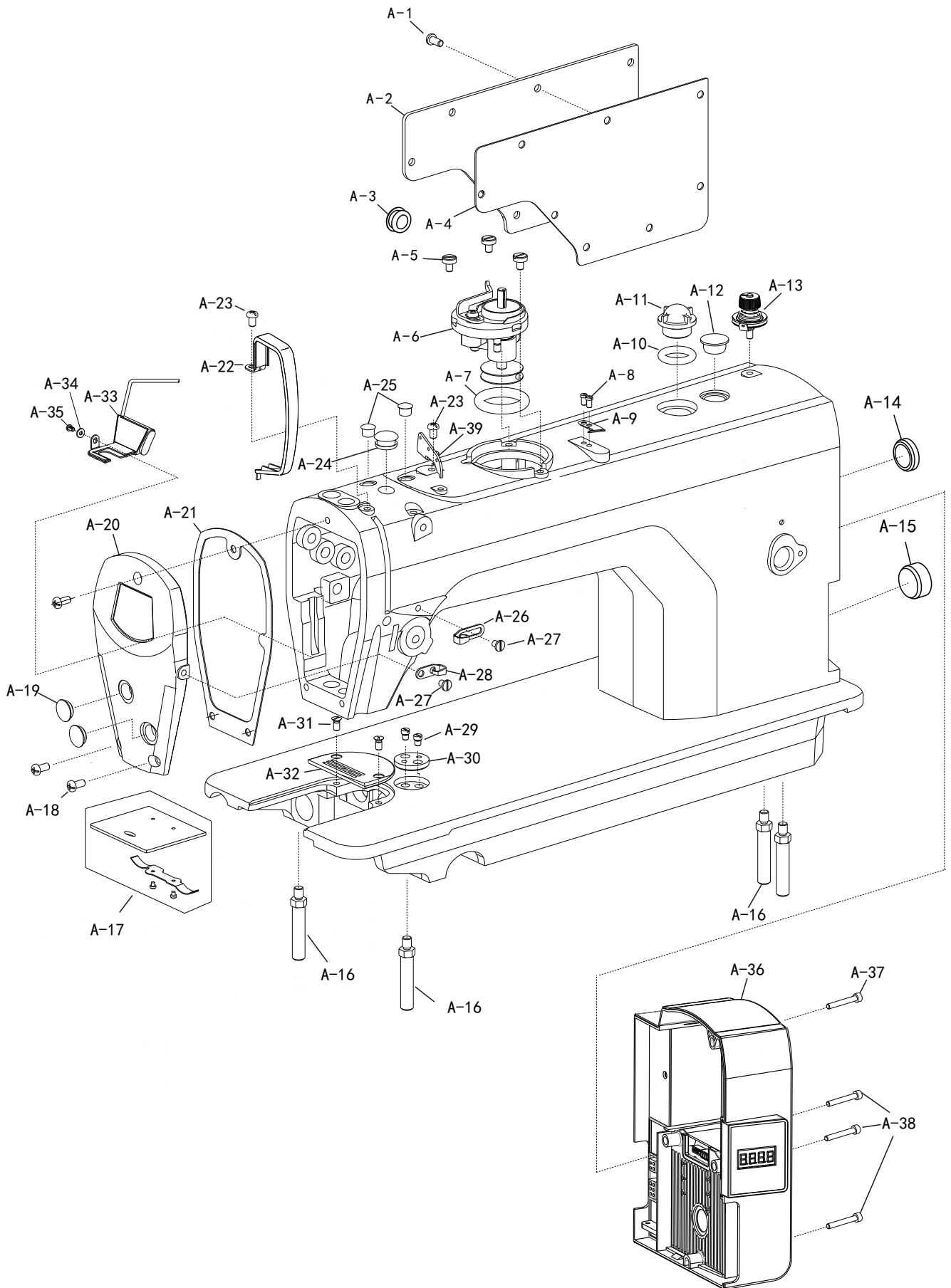
零件样本 Parts Book

A	机壳分组件 Machine Frame & Miscellaneous Cover Components	1
B	上轴、挑线分组件 Main Shaft & Thread Take-up Cover Components	3
C	针杆、夹线分组件 Needle bar & thread tension components	5
D	压料、松线分组件 Presser bar & tension release components	7
E	钩线分组件 Hook of driving shaft components	9
F	送料分组件 Feed mechanism components	11
G	润滑分组件 Lubrication Components	14
H	油盘、膝抬压脚分组件 Presser Foot Components Of Oil Plate Knee Lift	16
I	过线架分组件 Components Of Thread-running Stand	18
J	附件 Auxiliaries	20

A

机壳分组件

Machine frame&miscellaneous cover components



A

机壳分组件

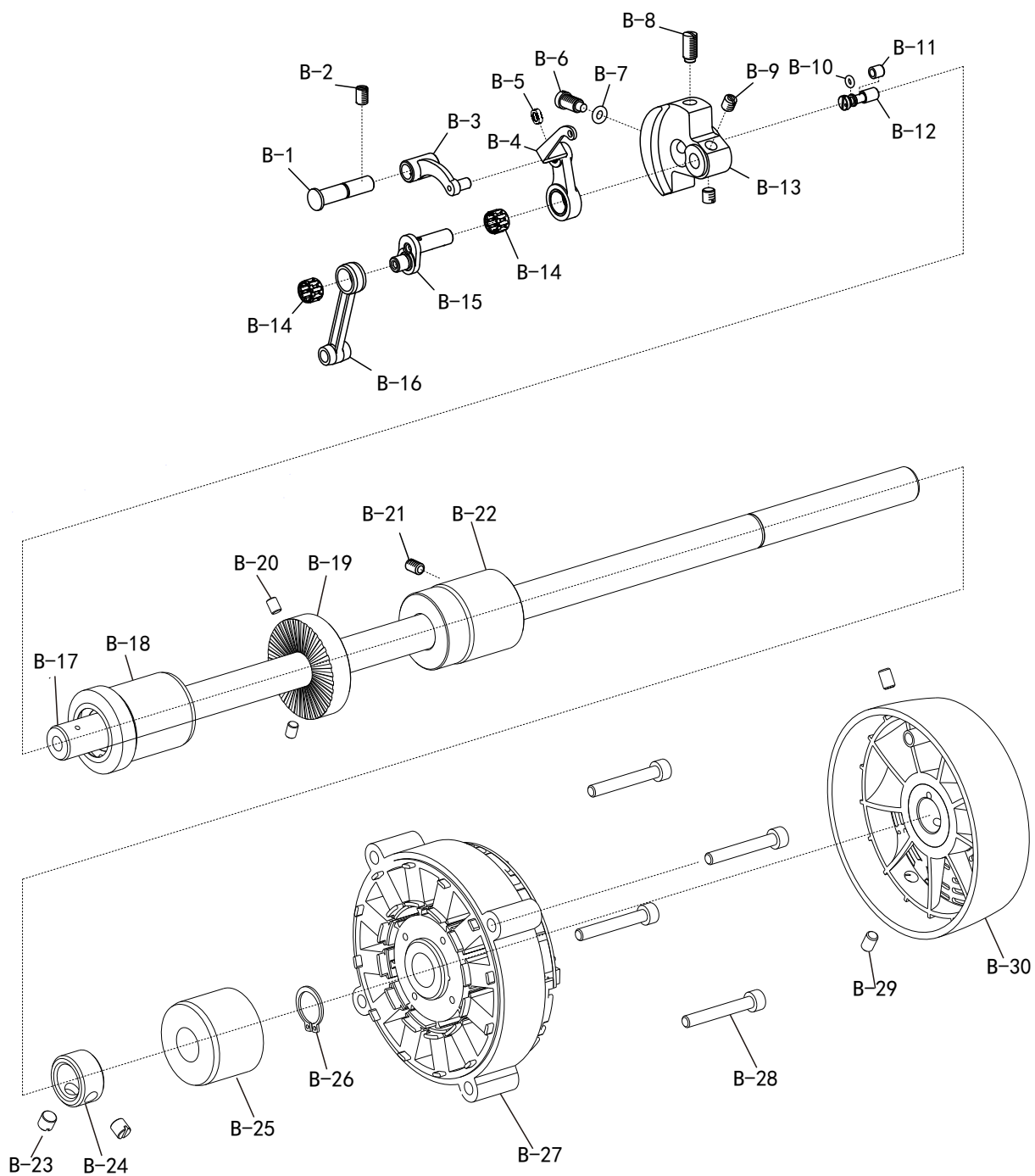
Machine frame&miscellaneous cover components

序号 Ref.No.	物料号 Part.No.	名称	Description	数量 Q'ty	备注 Remark
A-1	10008972	螺钉	Screw	8	
A-2	20003774	后窗板	Side plate	1	
A-3	10008977	橡胶塞	Rubber plug	1	
A-4	10010877	后窗板垫	Side plate gasket	1	
A-5	10004380	螺钉	Screw	3	
A-6	10031086	绕线器	Bobbin wider ASM.	1	
A-7	10008773	橡胶轮	Rubber ring	1	
A-8	10050423	螺钉	Screw	2	
A-9	10011149	绕线切刀	Thread cutter	1	
A-10	10008939	O形圈	O-ring	1	
A-11	10008938	油窗	Oil window	1	
A-12	10009576	橡胶塞	Rubber plug	1	
A-13	10034382	绕线夹线器	Bobbin thread tension ASM.	1	
A-14	10008975	橡胶塞	Rubber plug	1	
A-15	10008941	橡胶塞	Rubber plug	1	
A-16	10002577	底板支柱	Bed screw stud	4	
A-17	10013706	推板部件	Side plate ASM.	1	
A-18	10008972	螺钉	Screw	3	
A-19	10008977	橡胶塞	Rubber plug	2	
A-20	20013583	面板		1	
A-21	10039362	面板垫		1	
A-22	10014082	挑线杆防护罩	Thread take-up lever cover	1	
A-23	10008934	螺钉	Screw	2	
A-24	10008942	橡胶塞	Rubber plug	1	
A-25	10008943	橡胶塞	Rubber plug	2	
A-26	10008940	右线钩	Arm thread guide right	1	
A-27	10008973	螺钉	Screw	2	
A-28	10008937	左线钩	Arm thread guide left	1	
A-29	10004374	螺钉	Screw	2	
A-30	10004373	限位挡片	Ruler plate	1	
A-31	10009005	螺钉	Screw	2	
A-32	10026544	针板	Needle plate	1	
A-32	10005917	针板	Needle plate	1	-5
A-32	10008039	针板	Needle plate	1	S7
A-33	10053207	点动补针组件	The jog fill needle components	1	
A-34	10011168	垫片4.8	Washer 4.8	1	
A-35	10008934	SM3/16"×28螺钉	Screw SM3/16"×28	1	
A-36	10053206	一体式电控	Integrated electric control	1	
A-37	10012080	M4×20螺钉	Screw M4×20	1	
A-38	10049837	M5×35螺钉	Screw M5×35	3	
A-38	10052992	过线板	Thread tension guide	1	

B

上轴、挑线分组件

Main shaft&thread take-up components

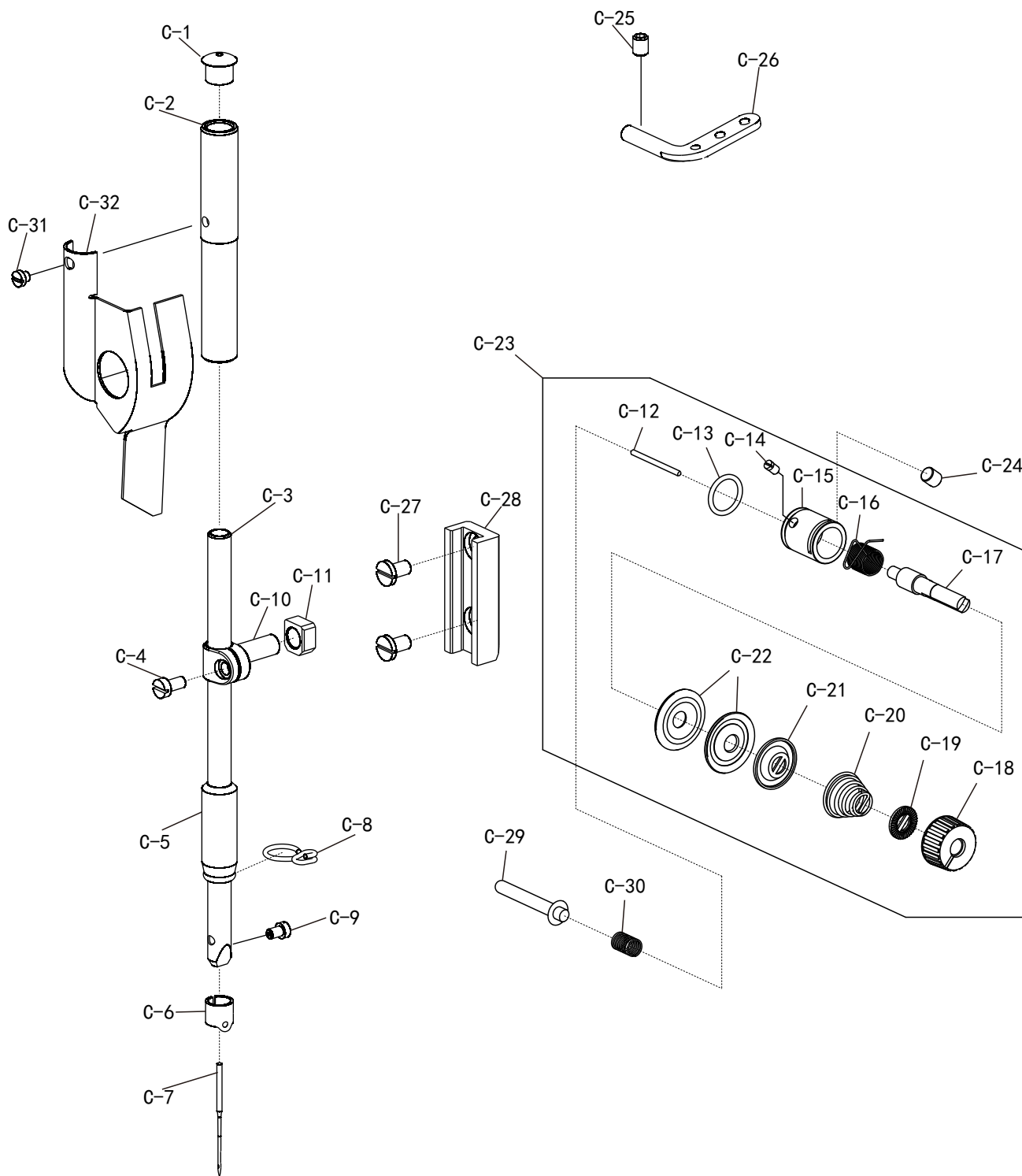


B

上轴、挑线分组件

Main shaft&thread take-up components

序号 Ref.No.	物料号 Part.No.	名称	Description	数量 Q'ty	备注 Remark
B-1	10010543	挑线连杆销	Thread take-up crank shaft	1	
B-2	10010083	螺钉	Screw	1	
B-3	10010535	挑线连杆	Thread take-up bar	1	
B-4	10038474	挑线杆分部件	Thread take-up lever Asm.	1	
B-4	10004158	挑线杆分部件	Thread take-up lever Asm.	1	S7
B-5	10010539	挑线杆防油圈	Oil resistant cover	1	
B-6	10010545	螺钉	Screw	1	
B-7	10010534	O形圈	O-ring	1	
B-8	10010082	螺钉	Screw	1	
B-9	10010065	螺钉	Screw	2	
B-10	10010538	O形圈	O-ring	1	
B-11	10010540	油量调节销套	Sleeve of adjusting pin	1	
B-12	10010504	油量调节销	Adjusting pin	1	
B-13	10012203	针杆曲柄	Counter weight	1	
B-13	10012858	针杆曲柄	Counter weight	1	-5
B-14	10010504	滚针轴承	Bearing	2	
B-15	10004144	挑线曲柄	Needle bar crank	1	
B-15	10005937	挑线曲柄	Needle bar crank	1	-5
B-16	10053104	针杆连杆	Needle bar crank rod	1	
B-17	10053105	上轴	Main shaft	1	
B-18	10007233	上轴前轴套	Bearing support	1	
B-19	10004472	绕线主动轮	Wheel	1	
B-20	10012062	螺钉	Screw	2	
B-21	10010506	螺钉	Screw	1	
B-22	10048484	上轴中轴套	Bearing support	1	
B-23	10005020	螺钉	Screw	2	
B-24	10048496	上轴挡圈	Thrust collar	1	
B-25	10048486	上轴后轴套	Bearing support	1	
B-26	10010090	挡圈	Thrust collar	1	
B-27	10053257	电机	Motor	1	
B-28	10003100	螺钉	Screw	4	
B-29	10002436	螺钉	Screw	2	
B-30	10053202	上轮	Head wheel	1	





针杆、夹线分组件

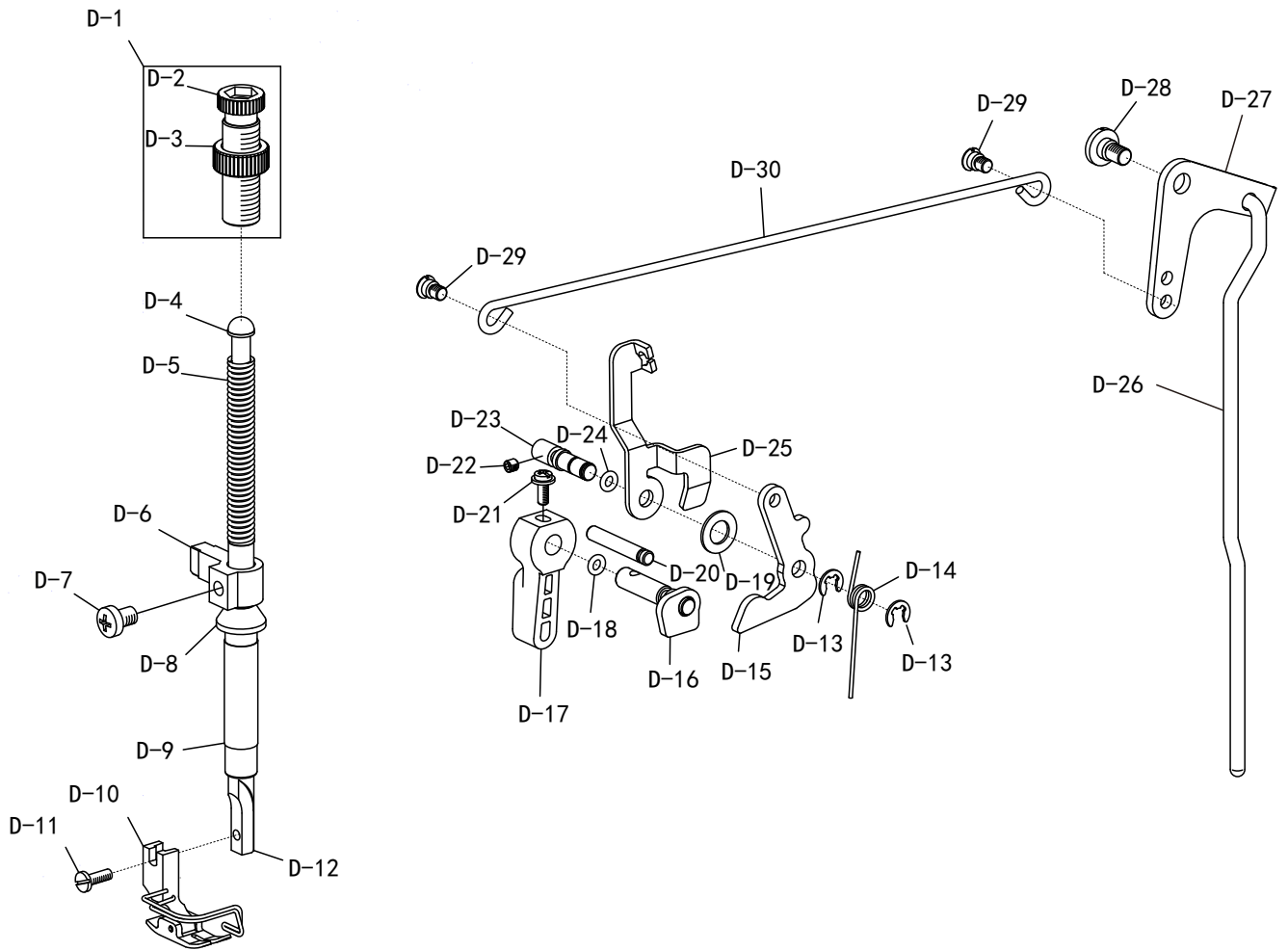
Needle bar & thread tension components

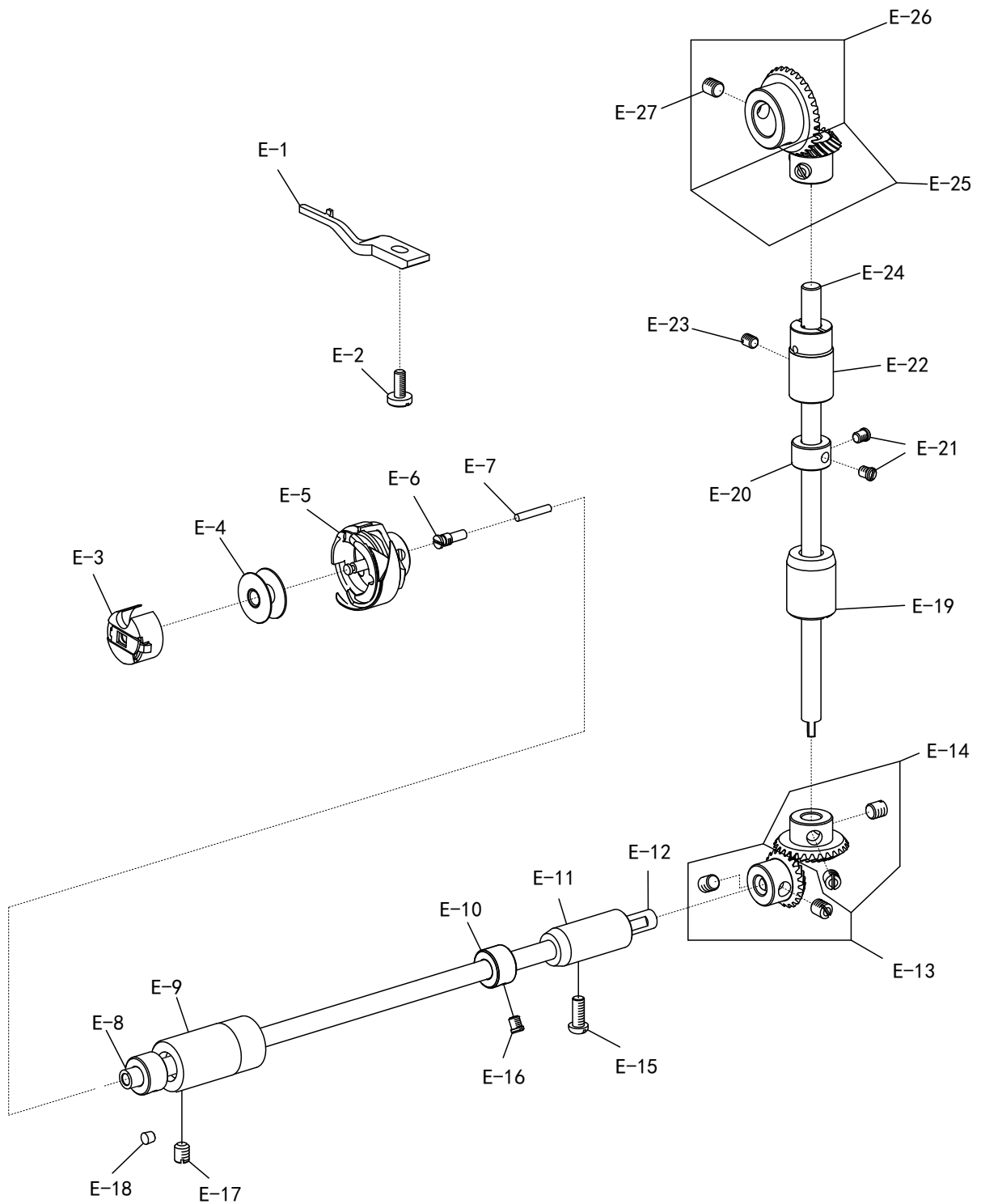
序号 Ref.No.	物料号 Part.No.	名称	Description	数量 Q'ty	备注 Remark
C-1	10010587	橡胶塞	Rubber plug	1	
C-2	10011063	针杆上轴套	Bearing support	1	
C-3	10041608	针杆	Needle bar	1	
C-3	10041609	针杆	Needle bar	1	-5
C-4	10030286	螺钉	Screw	1	
C-5	10014117	针杆下轴套	Bearing support	1	
C-5	10005916	针杆下轴套	Bearing support	1	-5
C-6	10005943	针杆下轴套线钩	Needle bar thread guide	1	
C-7	10003468	机针	Needle DB×1 14#	1	
C-7	10003634	机针	Needle DP×5 21#	1	-5
C-8	10010591	针杆线钩	Needle bar thread guide	1	
C-8	10005943	针杆线钩	Needle bar thread guide	1	-5
C-9	10010588	支针螺钉	Screw	1	
C-10	10052735	针杆连接柱	Needle bar holder	1	
C-11	10052734	针杆连接柱滑块	Slide block	1	
C-12	10004184	松线钉	Thread release pin	1	
C-13	10004183	O形圈	O-ring	1	
C-14	10004200	螺钉	Screw	1	
C-15	10039524	挑线簧调节座	Tension post socket	1	
C-16	10004201	挑线簧	Spring	1	
C-17	10004177	夹线螺钉	Screw	1	
C-18	10012981	夹线螺母	Nut	1	
C-19	10004199	夹线制动板	Tension disc stopper	1	
C-20	10004176	夹线簧	Spring	1	
C-20	10005941	夹线簧	Spring	1	
C-21	10004179	松线板	Thread release disc	1	
C-22	10004180	夹线板	Tension disc holder	2	
C-23	10041354	夹线器	Thread take-up device	1	
C-23	10041543	夹线器	Thread take-up device	1	-5
C-24	10006264	螺钉	Screw	1	
C-25	10008934	螺钉	Screw	1	
C-26	10010640	三眼线钩	Three-hole thread eyelet	1	
C-27	10010308	螺钉	Screw	1	
C-28	10053109	导轨	Screw	1	
C-29	10012140	松线辅钉	Tension release supporting pin	1	
C-30	10010642	弹簧	Spring	1	

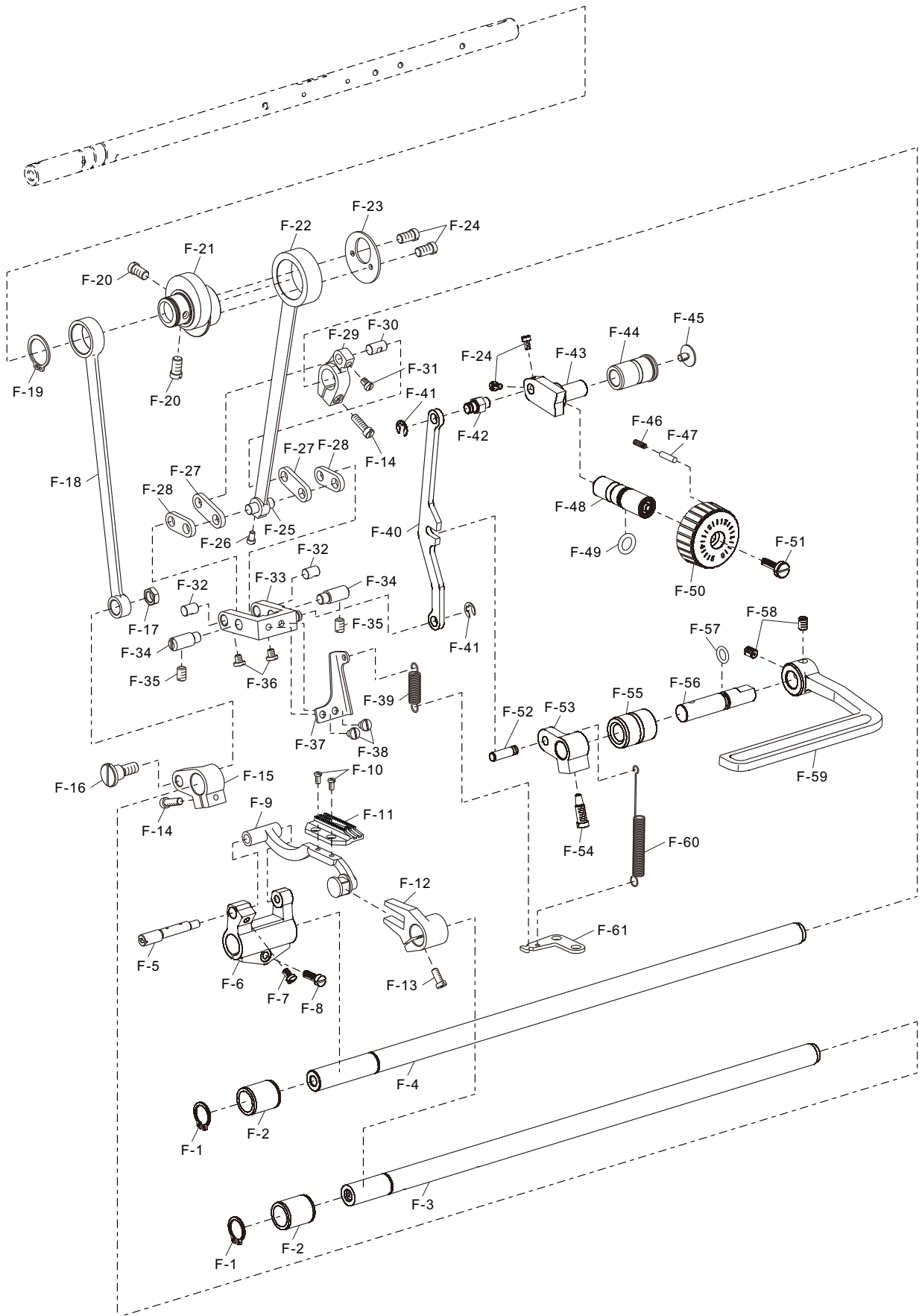
D

压料、松线分组件

Presser bar & tension release components







F

送料分组件

Feed mechanism components

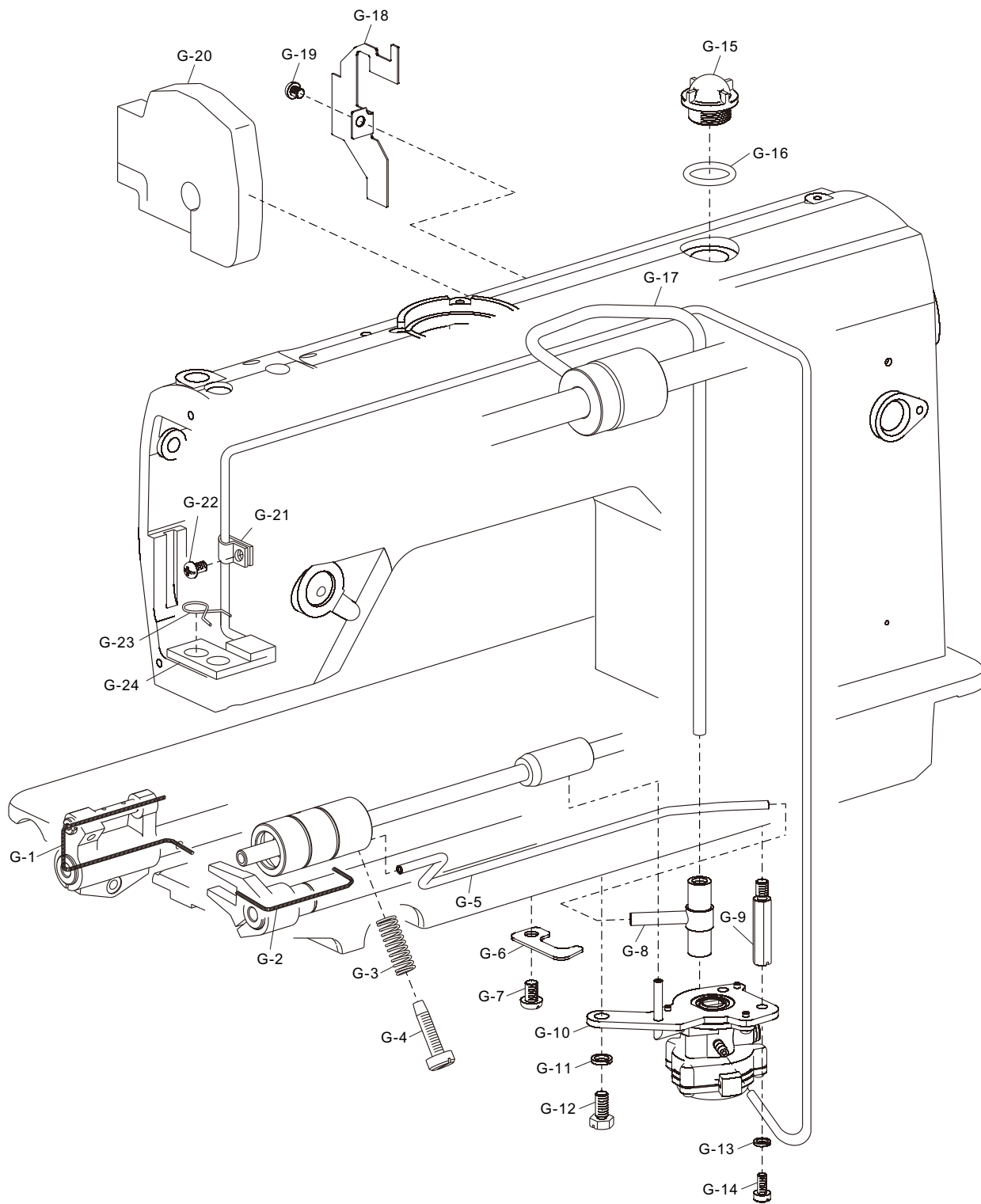
序号 Ref.No.	物料号 Part.No.	名称	Description	数量 Q'ty	备注 Remark
F-1	10010090	13.8×1挡圈	Closing ring 13.8×1	2	
F-2	10014116	送料抬牙轴轴套	Shaft sleeve	2	
F-3	10010097	抬牙轴	Feed driving shaft	1	
F-4	10010073	送料轴	Feed rocker shaft	1	
F-5	10004440	牙架座偏心销	Pin	1	
F-6	10004474	牙架座	Feed bar driving crank	1	
F-7	10010074	SM11/64"×40螺钉	Screw SM11/64"×40	1	
F-8	10004993	SM3/16"×28螺钉	Screw SM3/16"×28	1	
F-9	20001665	牙架部件	Feed bar ASM.	1	
F-10	10010099	SM1/8"×44螺钉	Screw SM1/8"×44	2	
F-11	10026545	送料牙	Feed dog	1	
F-11	10006005	送料牙	Feed dog	1	-5
F-11	10026357	送料牙	Feed dog	1	S7
F-12	10042079	抬牙叉形曲柄组件	Crank	1	
F-12	10043177	抬牙叉形曲柄组件	Crank	1	S7
F-13	10004628	SM11/64"×40螺钉	Screw SM11/64"×40	1	
F-14	10010095	SM3/16"×28螺钉	Screw SM3/16"×28	2	
F-15	10010086	抬牙后曲柄	Crank	1	
F-16	10010091	抬牙连杆轴位螺钉	Screw	1	
F-17	10004475	SM9/32"×28螺母	Nut SM9/32"×28	1	
F-18	10010084	抬牙连杆	Connecting rod	1	
F-19	10010089	18.5×1.2挡圈	Closing ring 18.5×1.2	1	
F-20	10010092	SM1/4"×40螺钉	Screw SM1/4"×40	2	
F-21	10010115	送料偏心轮	Feed drive eccentric cam	1	
F-21	10005991	送料偏心轮	Feed drive eccentric cam	1	S7
F-22	10010072	送料连杆	Connecting rod	1	
F-22	10006004	送料连杆	Connecting rod	1	S7
F-23	10010098	送料偏心轮盖板	Thrust cover	1	
F-23	10005992	送料偏心轮盖板	Thrust cover	1	S7
F-24	10010643	SM9/64"×40螺钉	Screw SM9/64"×40	4	
F-25	10010069	送料连杆销	Pin	1	
F-26	10010071	SM9/64"×40螺钉	Screw SM9/64"×40	1	
F-27	10010068	送料长摆动板	Connecting plate	2	
F-28	10010075	送料短摆动板	Connecting plate	2	
F-29	10010076	送料曲柄	Crank	1	
F-30	10010096	送料曲柄销	Pin	2	
F-31	10013015	SM11/64"×40螺钉	Screw SM11/64"×40	1	
F-32	10010087	短摆动板连接销	Pin	2	
F-33	10010088	送料摆动板座部件	Feed adjusting ASM.	1	
F-33	10028750	送料摆动板座部件	Feed adjusting ASM.	1	
F-34	10010102	送料摆动板座左右销	Pin	2	

F

送料分组件

Feed mechanism components

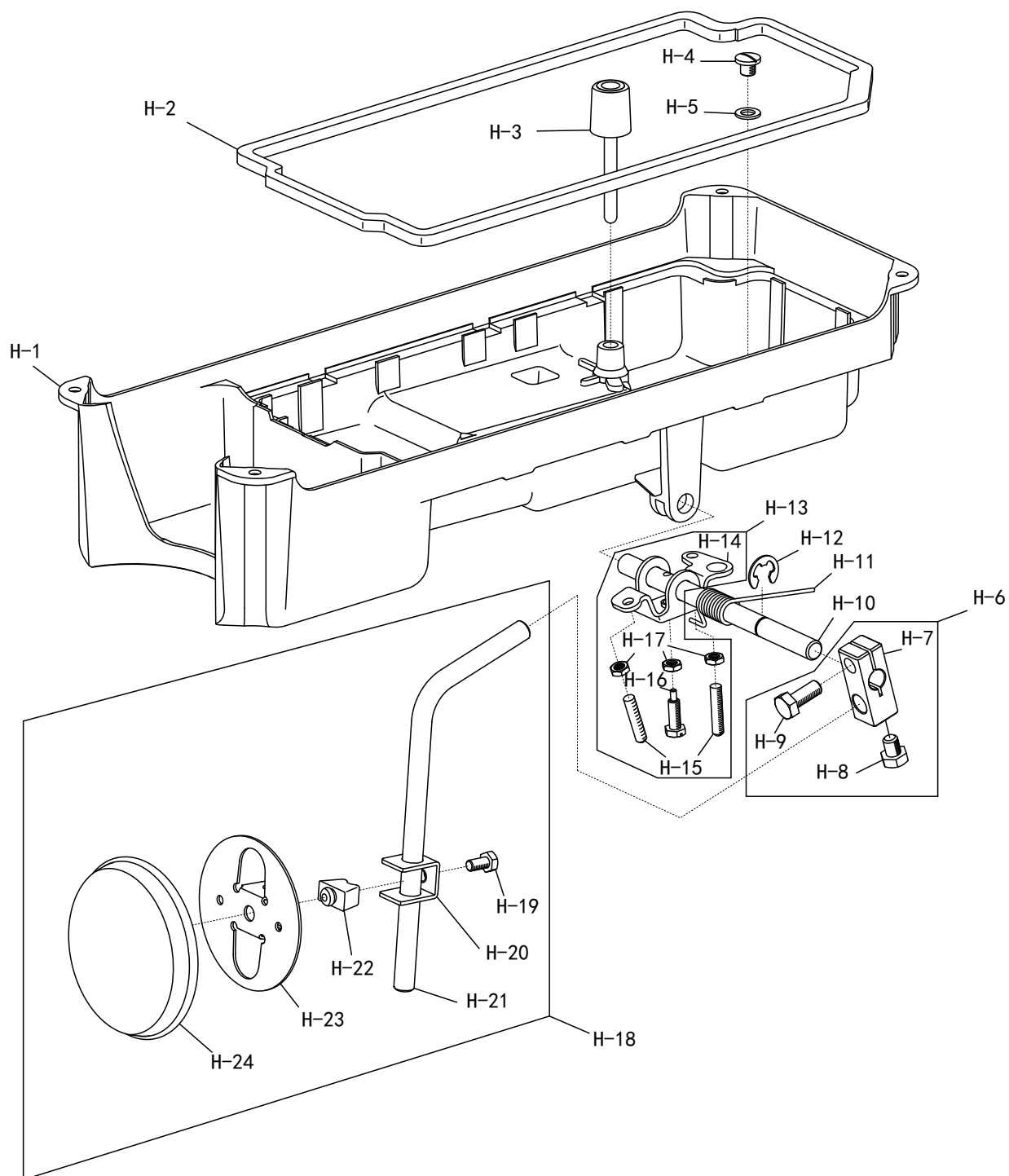
序号 Ref.No.	物料号 Part.No.	名称	Description	数量 Q'ty	备注 Remark
F-35	10010506	SM15/64"×28螺钉	Screw SM15/64"×28	2	
F-36	10010197	SM9/64"×40螺钉	Screw SM9/64"×40	2	
F-37	10010282	摆动板座复位板	Plate	1	
F-38	10010285	SM11/64"×40螺钉	Screw SM11/64"×40	2	
F-39	10010284	摆动板座复位簧	Spring	1	
F-39	10012990	摆动板座复位簧	Spring	1	-5/S7
F-40	10010283	倒送料连杆	Feed adjust rod	1	
F-40	10037069	倒送料连杆	Feed adjust rod	1	S7
F-41	10010649	5.1×0.6挡圈	Closing ring 5.1×0.6	2	
F-42	10010288	倒送料连杆销	Pin	1	
F-43	10010242	送料调节器	Feed regulator	1	
F-43	10027597	送料调节器	Feed regulator	1	S7
F-44	10014120	送料调节器轴套	Shaft sleeve	1	
F-45	10010238	螺钉	Screw	1	
F-46	10013869	旋钮锁簧	Spring	1	
F-47	10013870	旋钮锁销	Pin	1	
F-48	10011025	送料调节螺柱	Screw	1	
F-49	10010240	9.2×2.7 O形圈	O-ring 9.2×2.7	1	
F-50	10035275	送料距旋钮	Feed dial	1	
F-50	10027596	送料距旋钮	Feed dial	1	S7
F-51	10010281	SM3/16"×28螺钉	Screw SM3/16"×28	1	
F-52	10010287	倒送料曲柄销	Pin	1	
F-53	10053108	倒送料曲柄	Crank	1	
F-53	10031548	倒送料曲柄	Crank	1	S7
F-54	10010236	倒送料曲柄螺钉	Screw	1	
F-55	10014119	倒送料轴轴套	Shaft sleeve	1	
F-56	10010241	倒送料轴	Reverse feed shaft	1	
F-57	10010243	7.8×2 O形圈	O-ring 7.8×2	1	
F-58	10040504	M6螺钉	Screw M6	2	
F-59	20003459	倒送料扳手	Reverse feed control lever	1	
F-60	10010237	倒送料拉簧	Spring	1	
F-60	10012991	倒送料拉簧	Spring	1	-5/S7
F-61	10010235	拉簧固定板	Plate	1	
F-61	10012987	拉簧固定板	Plate	1	-5/S7



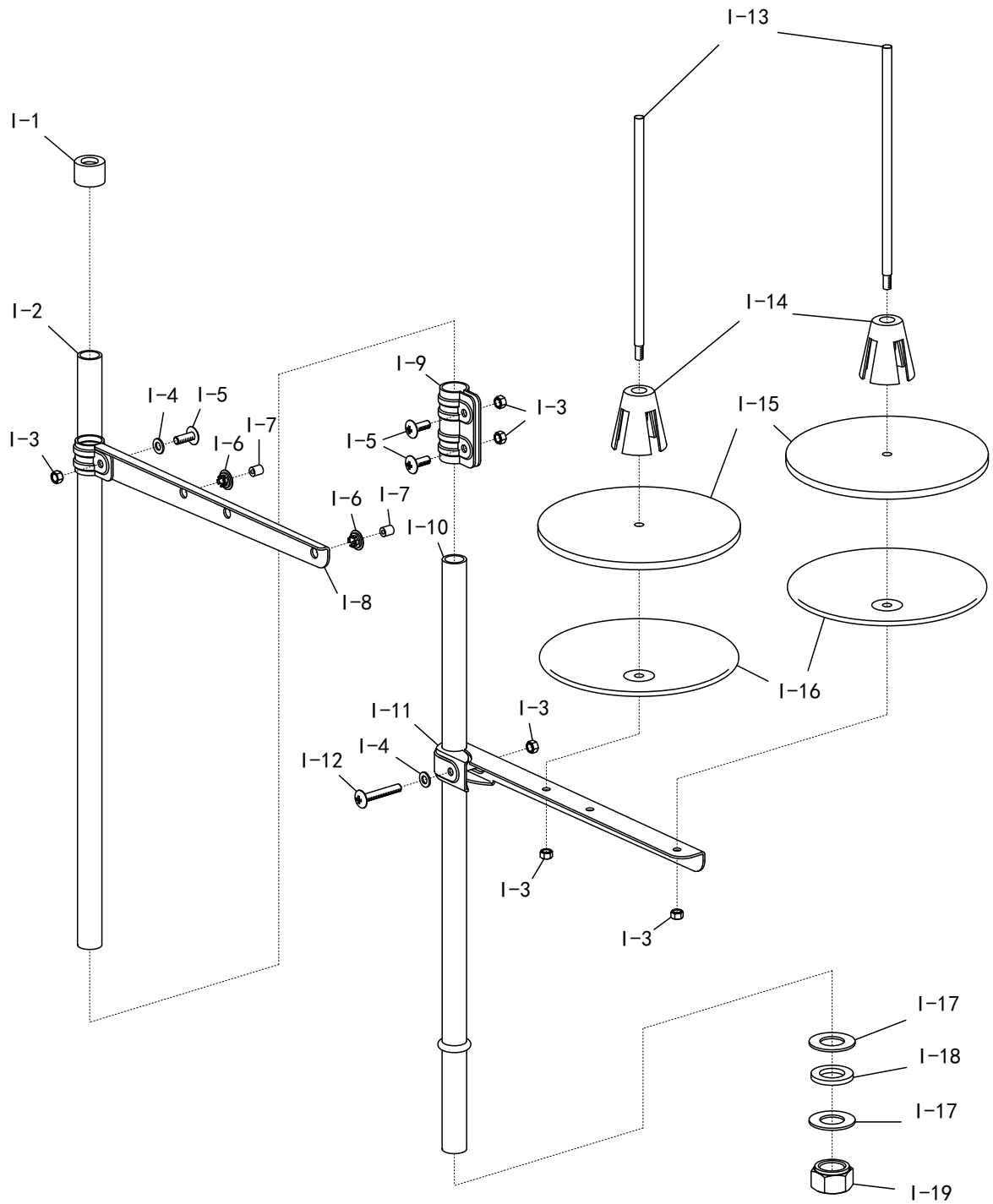


油盘、膝抬压脚分组件

Presser foot components of oil plate knee lift

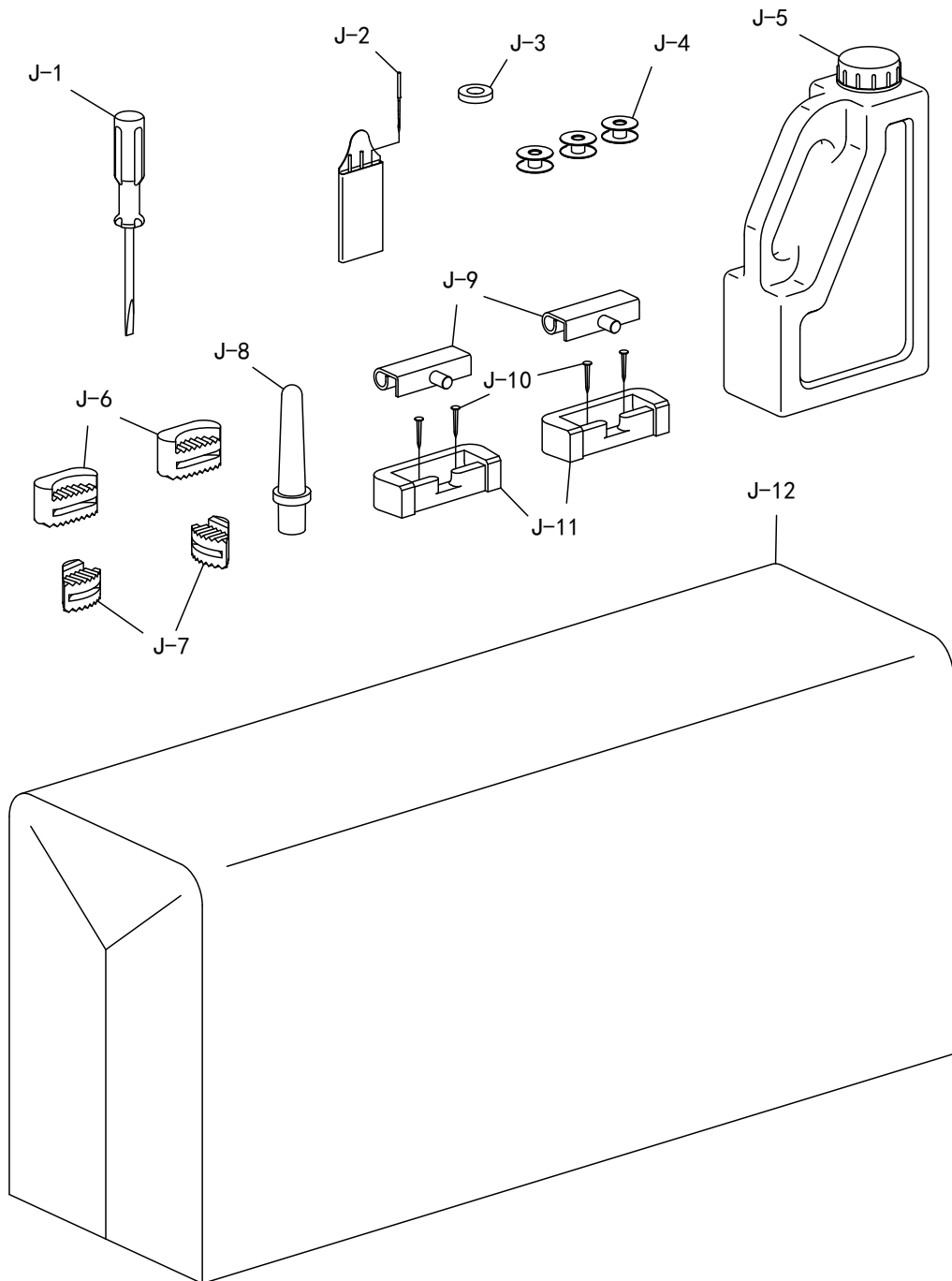


I 过线架分组件
Components of thread-running stand



J

附件 Accessories





浙江中捷缝纫科技有限公司
ZOJE SEWING MACHINE CO., LTD.

地址：浙江省玉环县大麦屿开发区
Add: damaiyu Development Zone, Yuhuanxian, Zhejiang 317604, China
国内营销中心：Domestic Business Center
Tel: 0576-87338345 87338215 Fax: 0576-87338222
国际营销中心：International Business Center
Tel: +86-576-87333222 87338299 Fax: +86-576-87332702
www.zoje.com E-mail: sales@zoje.com

