



# 高速包缝机 ZJ700系列

HIGH-SPEED OVERLOCK SEWING MACHINE

## 零件手册

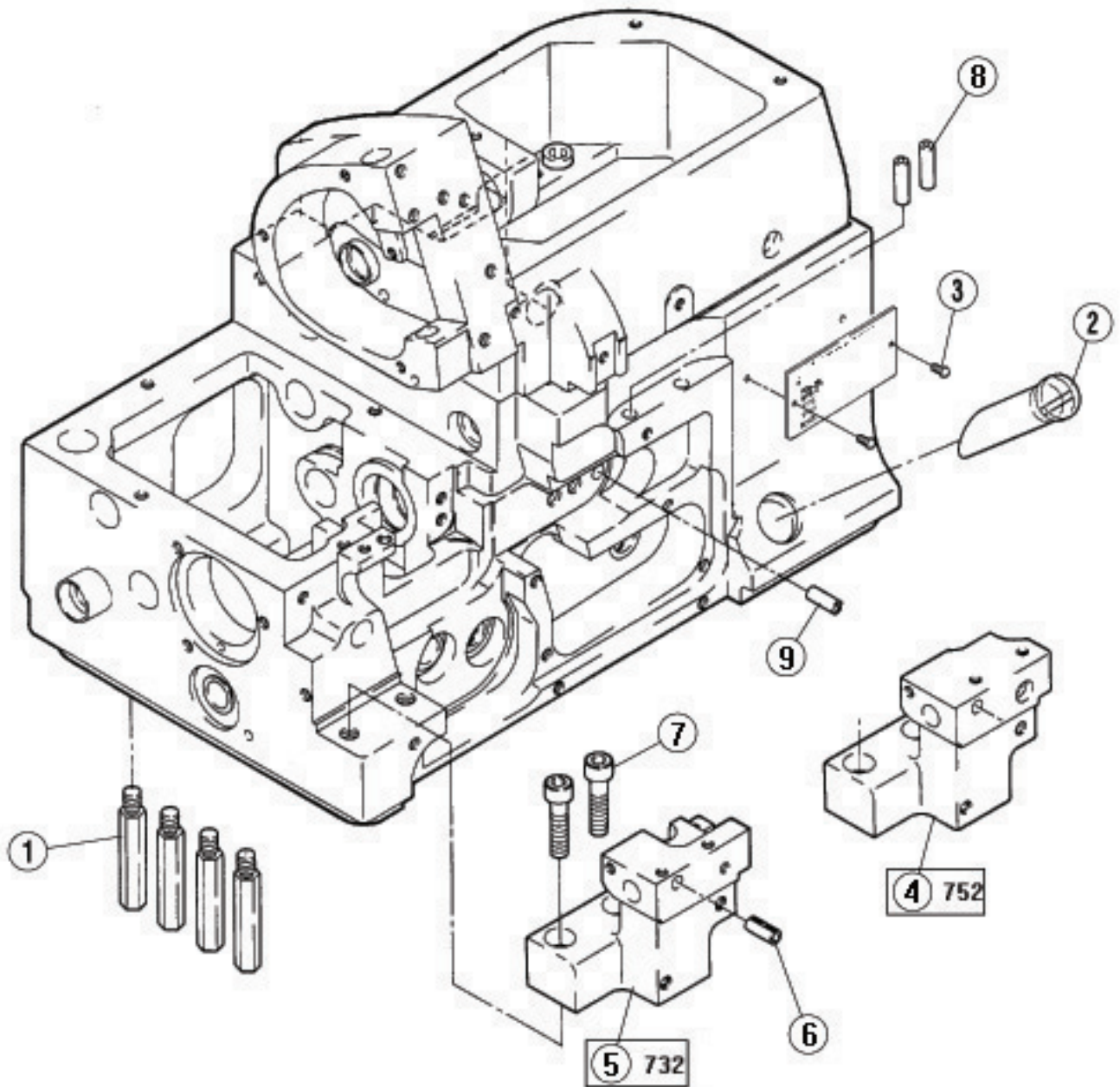
PARTS BOOK

中国·中捷缝纫机股份有限公司  
ZOJE SEWING MACHINE CO., LTD.

地址：浙江玉环大麦屿开发区  
ADD:DAMAIYU ZONE, YUHUAN, ZHEJIANG, 317604 CHINA  
免费咨询电话：TEL:800-857-6715

中国·中捷缝纫机股份有限公司  
ZOJE SEWING MACHINE CO., LTD.

1、机壳部件 / MACHINE BED FRAME

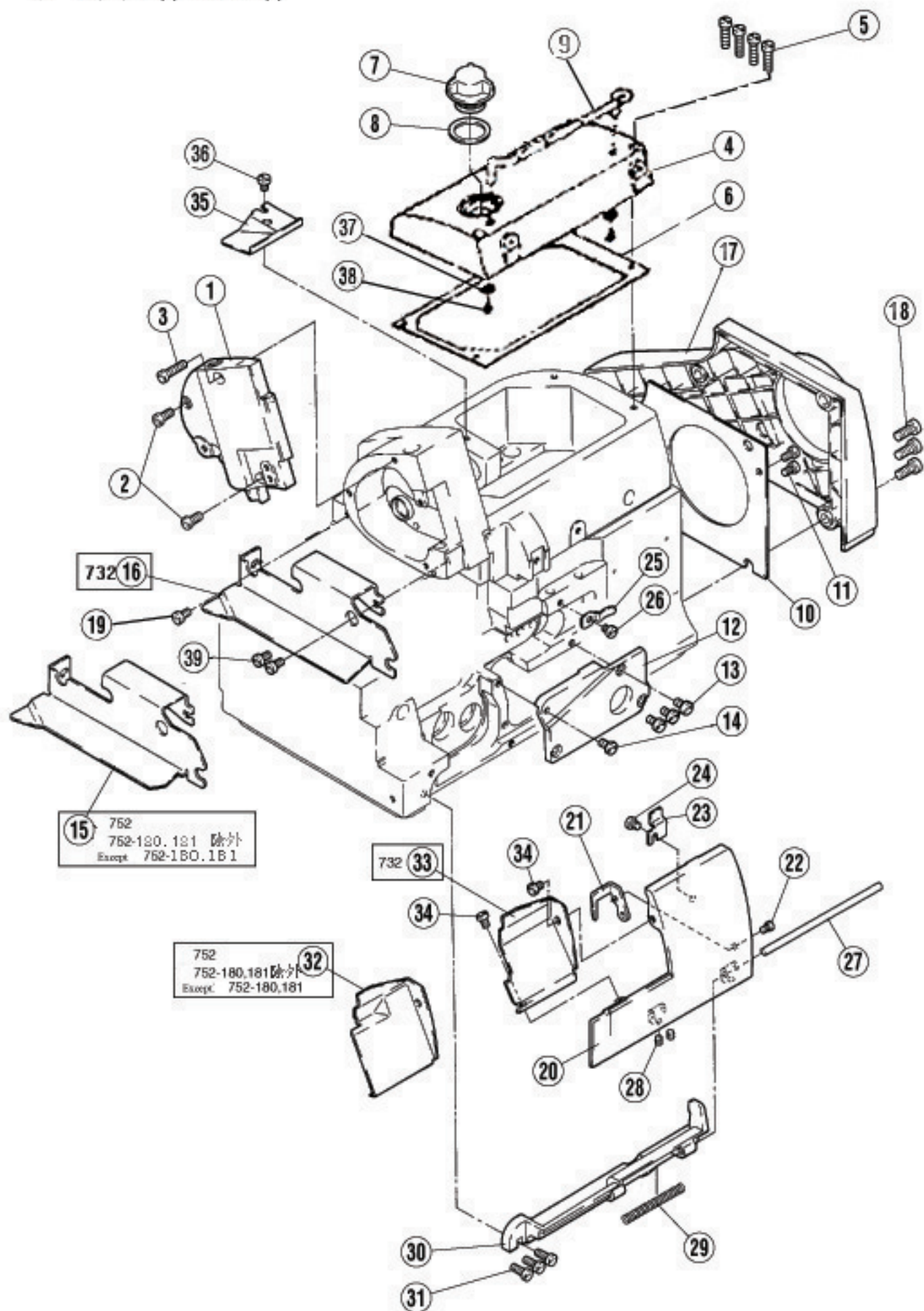


## 机壳部件

## MACHINE BED FRAME

序号 No.	件号 Pars No.	名称	Description	数量 Number
1	10011847	机壳支柱	BED PIN	4
2	10009055	油标	OIL SIGHT GAUGE	1
3	10002840	铆钉	PIN	4
4	10009276	下刀座(ZJ752)	BRACKET	1
5	10009505	下刀座(ZJ732)	BRACKET	1
6	10012905	弹性销	SPRING PIN	1
7	10009171	螺钉	BOLT	2
8	10009452	穿线管	PIPE	2
9	10012905	弹性销	SPRING PIN	1

## 2、外罩部件 (1)/COVER(1)

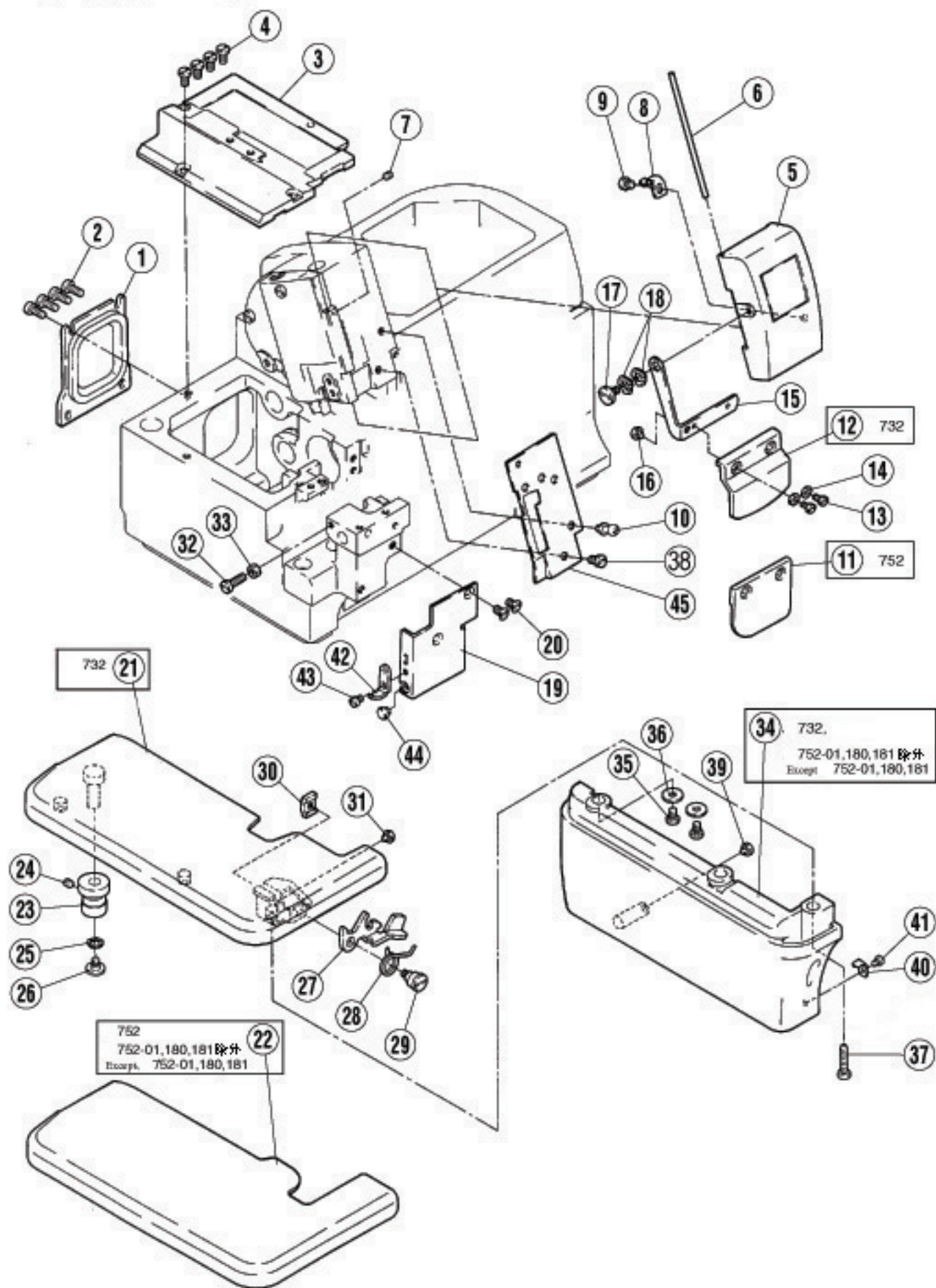


## 外罩部件(1)

## COVER(1)

序号 No.	件号 Pars No.	名称	Description	数量 Number
1	20003649	侧盖	SIDE COVER	1
2	10009104	螺钉	SCREW	2
3	10009101	螺钉	SCREW	1
4	20003672	上盖	TOP COVER	1
5	10009101	螺钉	SCREW	4
6	10008957	上盖密封垫	GASKET	1
7	10009155	油窗	OIL SIGHT WINDOW	1
8	10009156	油窗橡胶圈	GASKET	1
9	10009446	过线架	THREAD GUIDE	1
10	10009033	风扇盖	FAN COVER	1
11	10010595	螺钉	SCREW	2
12	10009545	上弯针架盖	COVER	1
13	10010595	螺钉	SCREW	3
14	10010594	螺钉	SCREW	1
15	10009292	内盖板	FABRIC GUARD	1
16	10009066	内盖板	FABRIC GUARD	1
17	10008933	皮带轮罩	BELT COVER	1
18	10002935	螺钉	SCREW	3
19	10009157	螺钉	SCREW	1
20	20003671	前盖右	FRONT COVER	1
21	10009507	导向板	LATCH	1
22	10009597	螺钉	SCREW	1
23	10009506	制动板	LATCH	1
24	10004171	螺钉	SCREW	1
25	10009035	弹簧板	FLAT SPRING	1
26	10004171	螺钉	SCREW	1
27	10009598	销	PIN	1
28	10009074	螺钉	SCREW	2
29	10009509	弹簧	SPRING	1
30	10009508	支架	HINGE	1
31	10009037	螺钉	SCREW	3
32	10009294	前盖中	FRONT COVER	1
33	10009160	前盖中	FRONT COVER	1
34	10010554	螺钉	SCREW	2
35	10009031	油板	OIL GUARD	1
36	10010554	螺钉	SCREW	1
37	10002980	垫圈	WASHER	2
38	10002979	螺钉	SCREW	2
39	10010595	螺钉	SCREW	2

### 3、外罩部件 (2)/COVER(2)

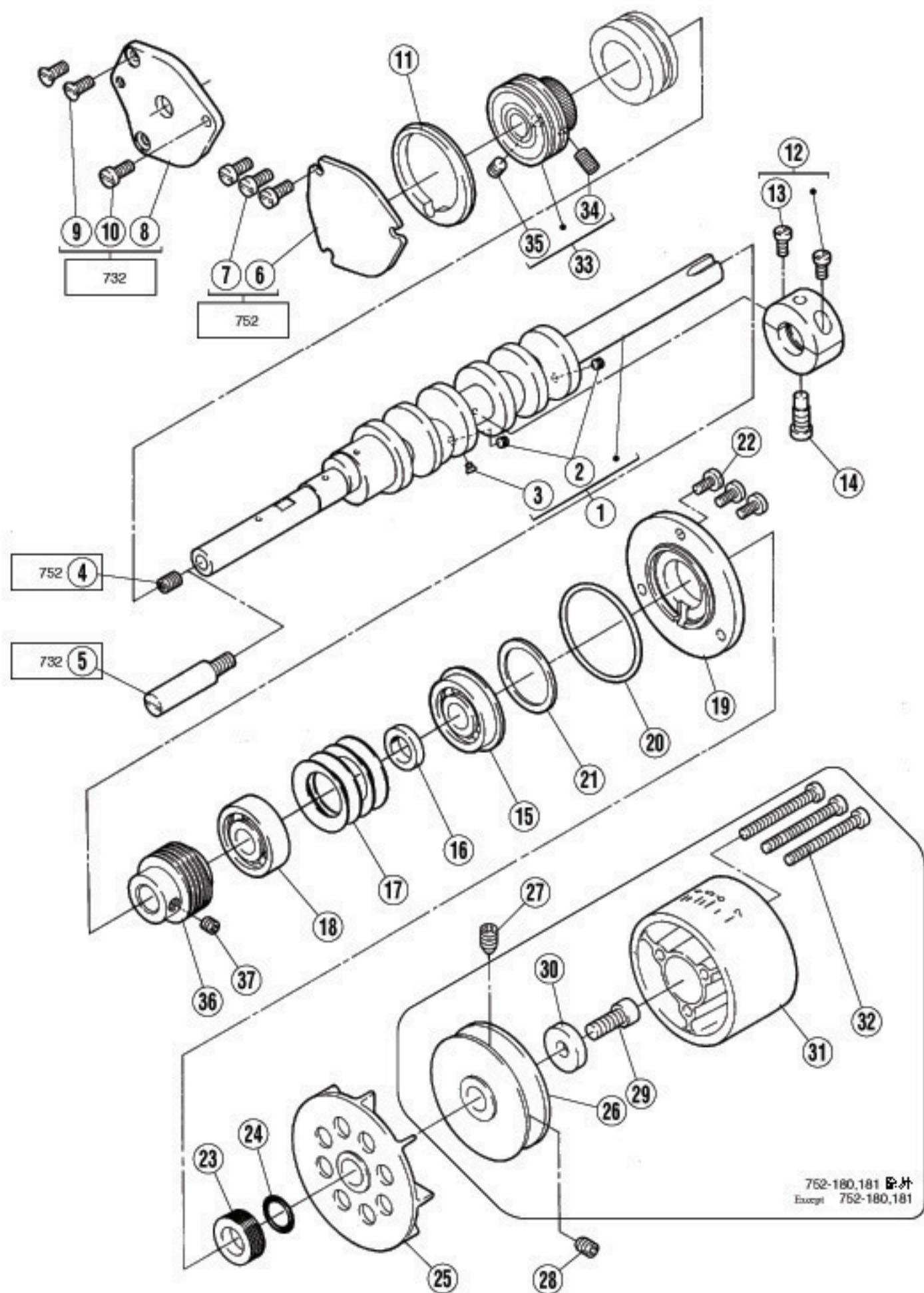


## 外罩部件(2)

## COVER(2)

序号 No.	件号 Pars No.	名称	Description	数量 Number
1	10009067	后盖板组件	COVER PLATE	1
2	10009104	螺钉	SCREW	4
3	10009069	左上盖	BED COVER PLATE	1
4	10009157	螺钉	SCREW	4
5	20003669	针杆罩	NEEDLE BAR COVER	1
6	10009615	销	PIN	1
7	10009074	螺钉	SCREW	1
8	10009504	弹簧	SPRING	1
9	10004171	螺钉	SCREW	1
10	10009047	螺钉	SCREW	1
11	10009275	安全罩	EYE GUARD	1
12	10009583	安全罩	EYE GUARD	1
13	10009600	螺钉	SCREW	2
14	10009599	垫圈	WASHER	2
15	10009511	安全罩架	BRACKET	1
16	10009582	防震橡胶垫	CUSHION RUBBER	1
17	10009044	螺钉	SCREW	1
18	10010596	垫圈	WASHER	2
19	10009512	前盖左	LEFT FRONT COVER	1
20	10009049	螺钉	SCREW	2
21	10012065	大盖组件	CLOTH PLATE ASSEMBLY	1
22	10011304	大盖组件	CLOTH PLATE ASSEMBLY	1
23	10009547	大盖铜套	BUSHING	1
24	10009074	螺钉	SCREW	1
25	10010596	垫圈	WASHER	2
26	10010556	螺钉	SCREW	1
27	10009535	大盖卡紧板	LEVER	1
28	10009536	弹簧	SPRING	1
29	10009546	螺钉	SCREW	1
30	10009548	锁紧板	BRACKET	1
31	10009582	防震橡胶垫	CUSHION RUBBER	1
32	10009075	螺钉	SCREW	1
33	10009471	螺母	NUT	1
34	10012099	横盖	SIDE COVER	1
35	10010554	螺钉	SCREW	2
36	10009537	垫圈	WASHER	2
37	10009291	螺钉	SCREW	1
38	10010594	螺钉	SCREW	1
39	10009582	防震橡胶垫	CUSHION RUBBER	1
40	10009295	横盖限位板	LATCH	1
41	10009529	螺钉	SCREW	1
42	10009513	挡板	LATCH	1
43	10009514	螺钉	SCREW	1
44	10009582	防震橡胶垫	CUSHION RUBBER	1
45	10009046	面板	FACE PLATE	1

#### 4、主轴机构 / CRANKSHAFT DRIVE MECHANISM



752-180,181 除外  
 Except 752-180,181

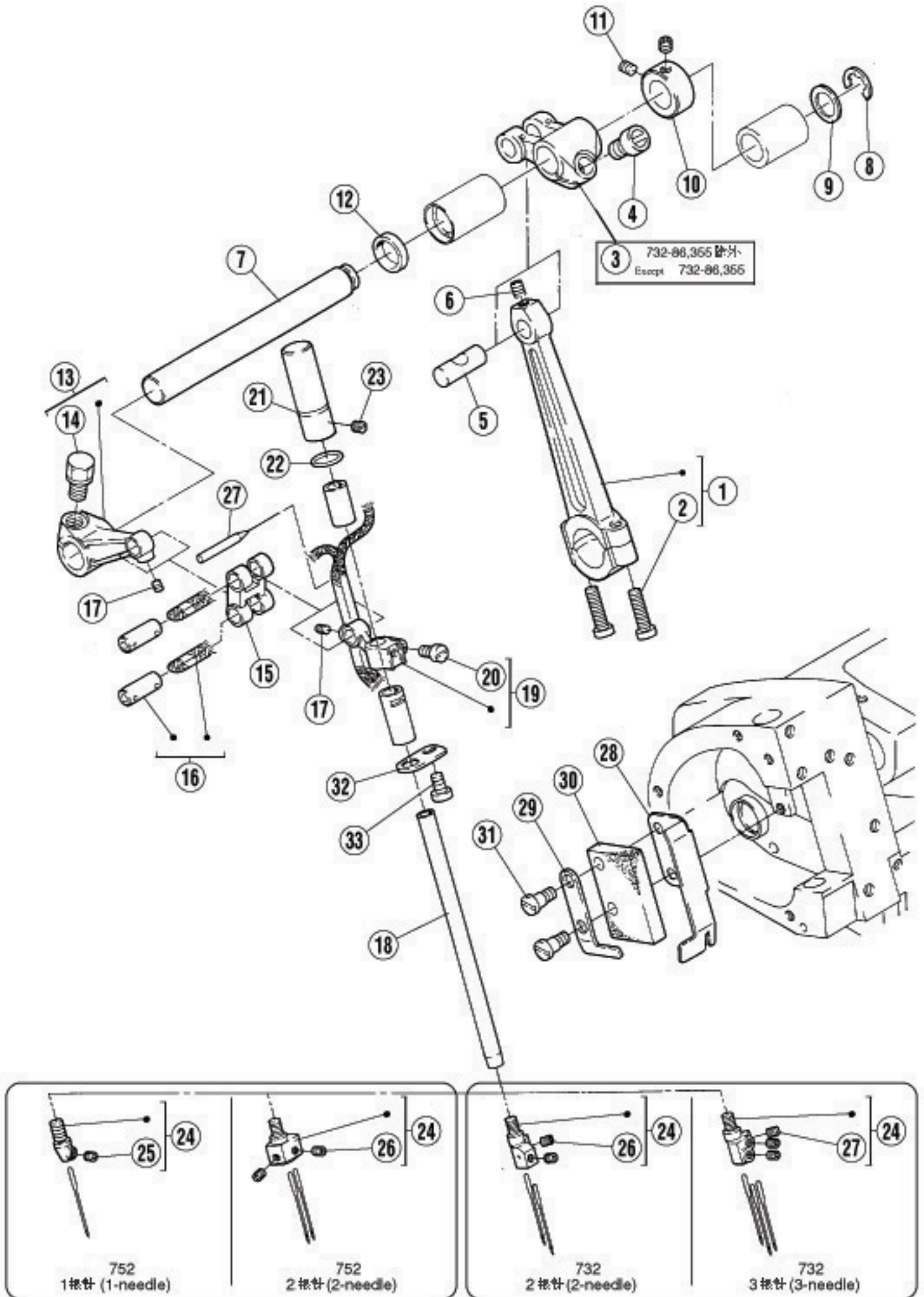


主轴机构

CRANKSHAFT DRIVE MECHANISM

序号 No.	件号 Pars No.	名称	Description	数量 Number
1	10009080	主轴	CRANK SHAFT	1
2	10002642	螺钉	SCREW	2
3	10002642	螺钉	SCREW	1
4	10009187	螺钉	SCREW	1
5	10009191	螺钉	SCREW	1
6	10009337	左盖	LEFT COVER	1
7	10010595	螺钉	SCREW	3
8	10012289	左盖	LEFT COVER	1
9	10009195	螺钉	SCREW	2
10	10009104	螺钉	SCREW	1
11	10009226	密封圈	GASKET	1
12	10022051	轴套组件	BUSHING	1
13	10009115	螺钉	SCREW	2
14	10009196	螺钉	SCREW	1
15	10009201	轴承	BEARING	1
16	10009199	垫圈	SPACER	1
17	10009197	垫圈	SPRING WASHER	4
18	10009227	轴承	BEARING	1
19	10009215	右盖	RIGHT COVER	1
20	10009204	O形圈	O RING	1
21	10009202	垫圈	PLATE	1
22	10009104	螺钉	SCREW	3
23	10009217	油封	OIL SEAL	1
24	10009219	O形圈	O RING	1
25	10009220	风扇	FAN	1
26	10009168	皮带轮	MACHINE PULLEY	1
27	10009170	螺钉	SCREW	1
28	10009187	螺钉	SCREW	1
29	10009008	螺钉	BOLT	1
30	10009222	垫圈	WASHER	1
31	20003600	手轮	HANDWHEEL	1
32	10009225	螺钉	SCREW	3
33	20000662	轴承套组件	BALL BEARING ASSEMBLY	1
34	10009167	螺钉	SCREW	1
35	10012162	螺钉	SCREW	1
36	10009138	蜗杆	WORM	1
37	10012162	螺钉	SCREW	1

5、针杆传动机构 (1) / NEEDLE DRIVE MECHANISM (1)



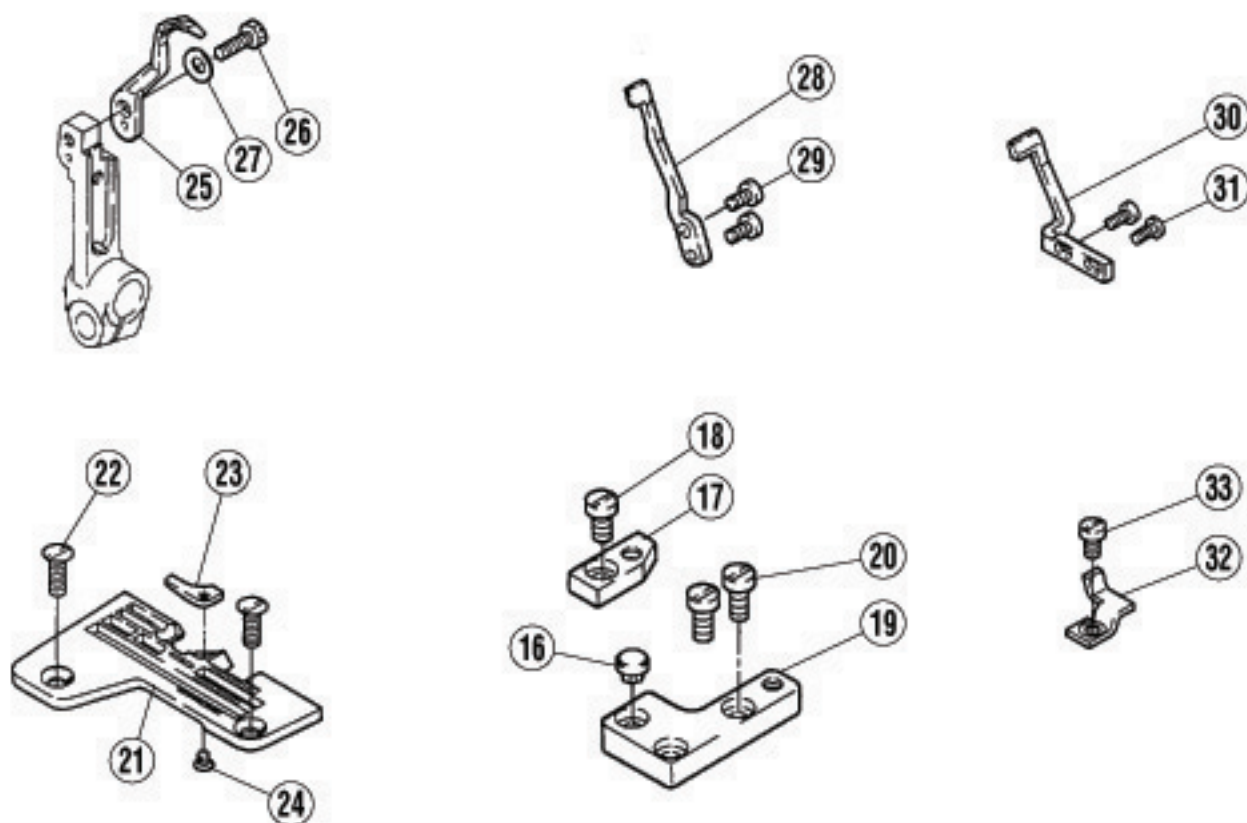
## 针杆传动机构 (1)

## NEEDLE DRIVE MECHANISM (1)

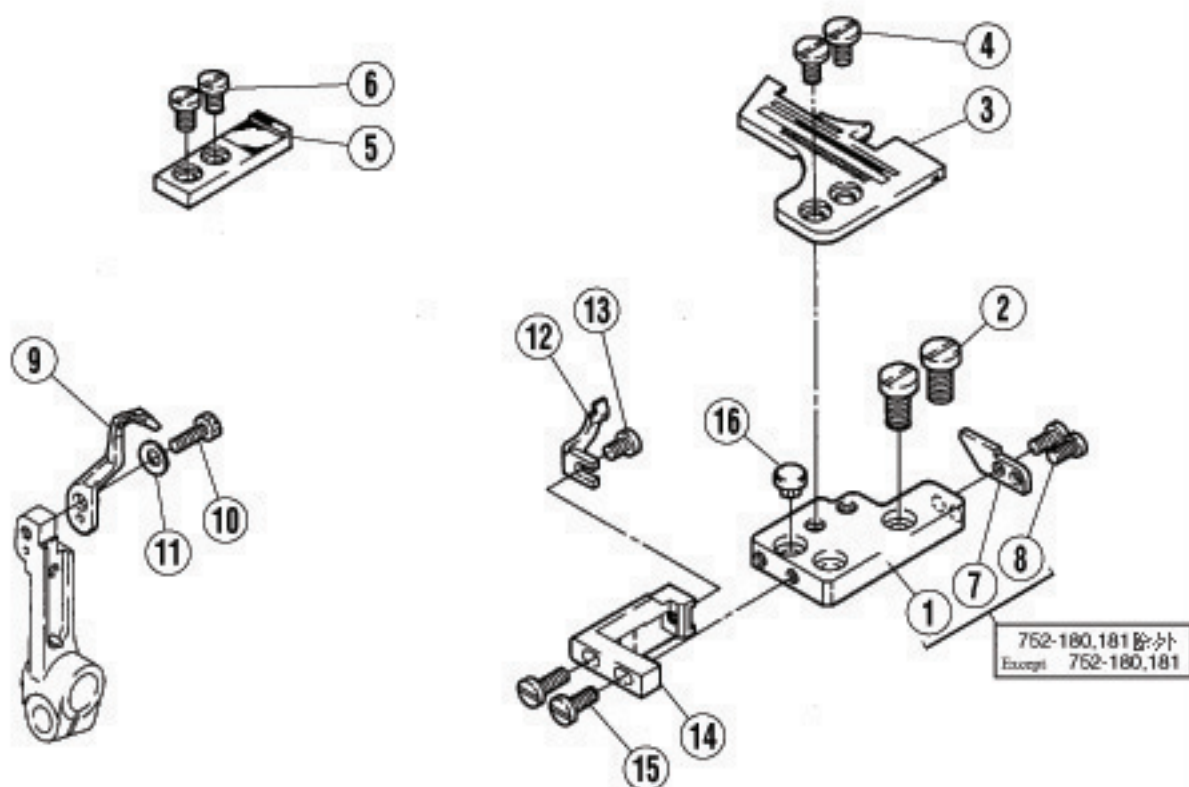
序号 No.	件号 Pars No.	名称	Description	数量 Number
1	10027701	连杆组件	ROD	1
2	10009103	螺钉	BOLT	2
3	10009108	曲柄	CRANK	1
4	10009164	螺钉	BOLT	1
5	10009165	销	PIN	1
6	10009109	螺钉	SCREW	1
7	10009229	针杆传动轴	SHAFT	1
8	10009239	挡圈	RING	1
9	10009232	垫圈	WASHER	1
10	10009231	挡圈	COLLAR	1
11	10009074	螺钉	SCREW	2
12	10009230	油封	OIL SEAL	1
13	10009244	针杆曲柄	LEVER	1
14	10009245	螺钉	BOLT	1
15	10009242	针杆双脚古	NEEDLE BAR DRIVE	1
16	20001001	双脚古销组件	PIN ASSEMBLY	2
17	10009240	螺钉	SCREW	2
18	10009250	针杆	NEEDLE BAR	1
19	10009243	针杆连接头	NEEDLE BAR CLAMP	1
20	10009115	螺钉	SCREW	1
21	10008997	针杆帽	CAP	1
22	10008990	O形圈	O RING	1
23	10009074	螺钉	SCREW	1
24	*	机针接头	NEEDLE HOLDER	1
25	10009255	螺钉	SCREW	1
26	10009255	螺钉	SCREW	2
27	10009255	螺钉	SCREW	3
28	10009002	油毡架	RACK	1
29	10009017	毛毡压板	COVER	1
30	10009016	毛毡	FELT	1
31	10009019	螺钉	SCREW	2
32	10009544	针杆挡油板	COVER	1
33	10009157	螺钉	SCREW	1

## 6. 针杆传动机构 (2) / NEEDLE DRIVE MECHANISM (2)

732



752

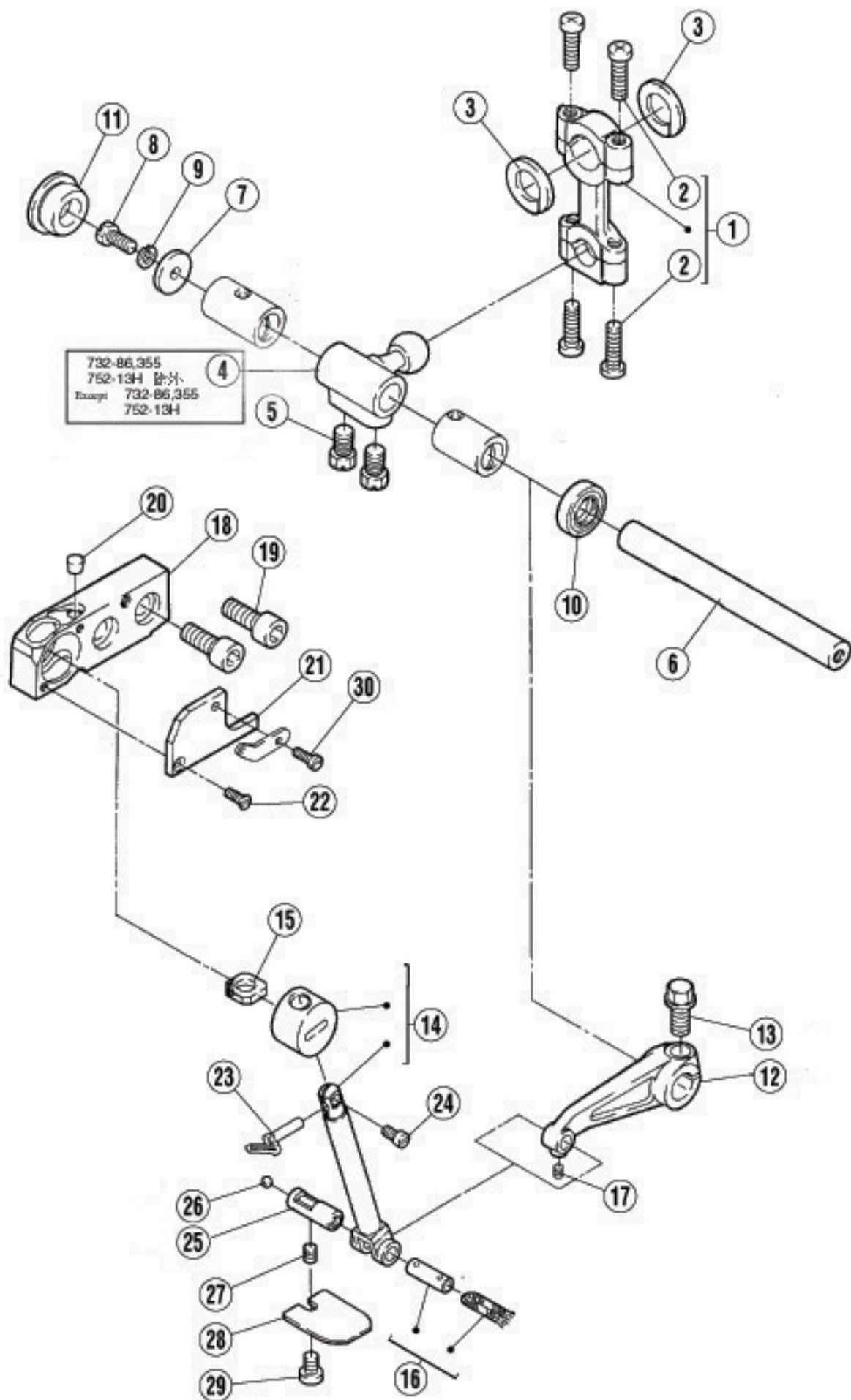


## 针杆传动机构 (2)

## NEEDLE DRIVE MECHANISM (2)

序号 No.	件号 Pars No.	名称	Description	数量 Number
1	10009297	针板座	BRACKET	1
2	10009104	螺钉	SCREW	2
3	*	针板	NEEDLE PLATE	1
4	10009481	螺钉	SCREW	2
5	10009466	针板托	NEEDLE PLATE SUPPORT	1
6	10010595	螺钉	SCREW	2
7	10009312	针板键	KEY	1
8	10009589	螺钉	SCREW	2
9	*	直针后护针架	NEEDLE REAR GUARD	1
10	10006624	螺钉	SCREW	1
11	10009464	垫圈	SPRING WASHER	1
12	*	直针前护针架	NEEDLE FRONT GUARD	1
13	10009589	螺钉	SCREW	1
14	10009314	护针座	BRACKET	1
15	10009487	螺钉	SCREW	2
16	10009582	防震橡胶垫	CUSHION RUBBER	1
17	10009694	针板后安装板	BRACKET	1
18	10010595	螺钉	SCREW	1
19	10009965	针板前安装板	BRACKET	1
20	10009104	螺钉	SCREW	2
21	*	针板	NEEDLE PLATE	1
22	10009678	螺钉	SCREW	2
23	*	吐线舌	NEEDLE FINGER PLATE	1
24	10004164	螺钉	SCREW	1
25	*	直针后护针架	NEEDLE GUARD	1
26	10006624	螺钉	SCREW	1
27	10009464	垫圈	SPRING WASHER	1
28	*	直针前护针架	NEEDLE FRONT GUARD	1
29	10010555	螺钉	SCREW	2
30	*	链直针后护针架	NEEDLE REAR GUARD	1
31	10009676	螺钉	SCREW	2
32	*	链直针前护针架	NEEDLE FRONT GUARD	1
33	10010555	螺钉	SCREW	1

# 7、上弯针传动机构 / UPPER LOOPER DRIVE MECHANISM

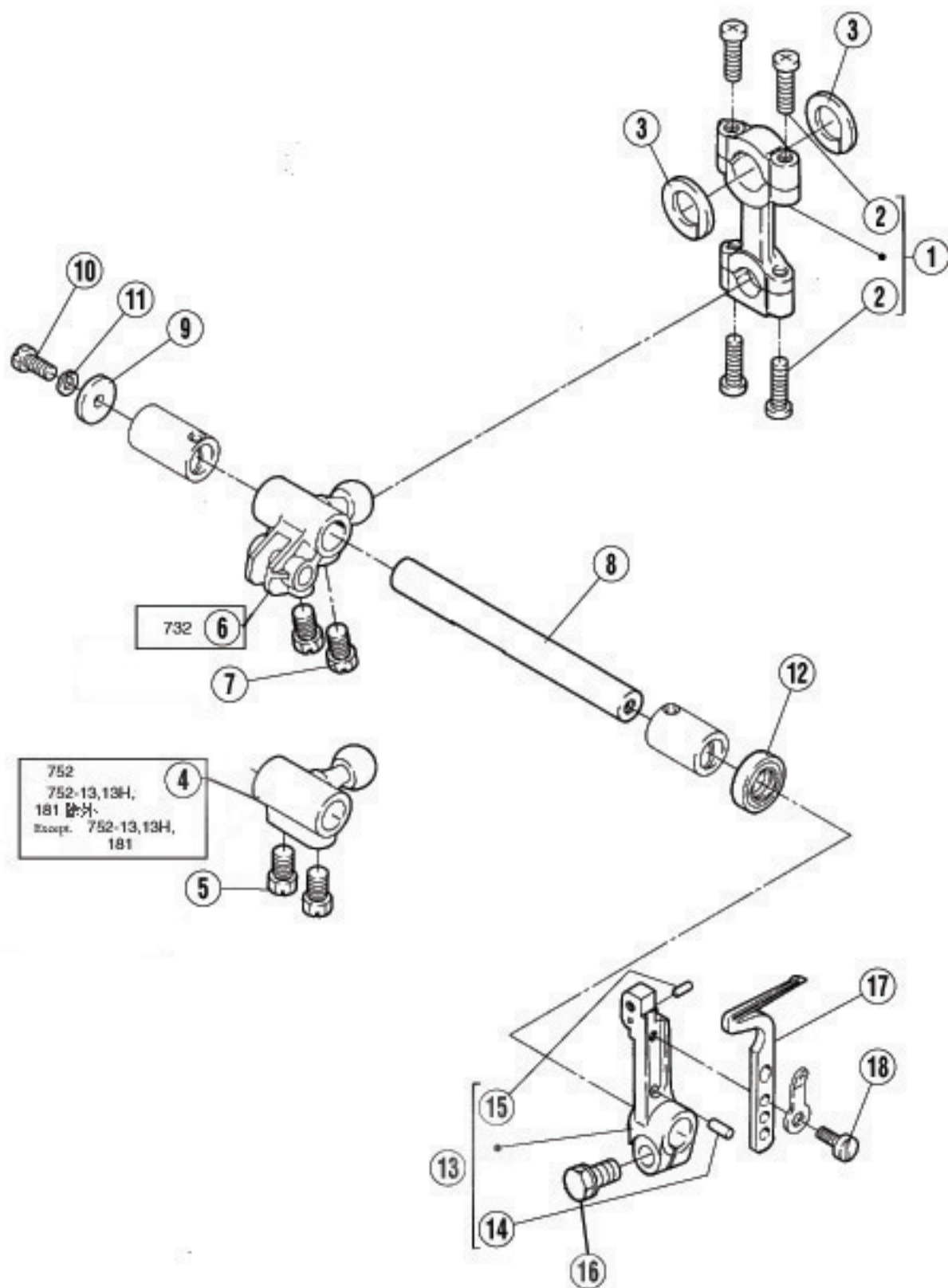


## 上弯针传动机构

## UPPER LOOPER DRIVE MECHANISM

序号 No.	件号 Pars No.	名称	Description	数量 Number
1	10027700	连杆组件	ROD	1
2	10009103	螺钉	BOLT	4
3	10009111	挡圈	GUIDE	2
4	10002662	曲柄	CRANK	1
5	10009163	螺钉	SCREW	2
6	10009387	上弯针轴	SHAFT	1
7	10009367	垫圈	WASHER	1
8	10009349	螺钉	SCREW	1
9	10005537	垫圈	SPRING WASHER	1
10	10009399	油封	OIL SEAL	1
11	10009381	橡胶塞	PLUG	1
12	10009372	上弯针摇杆	LEVER	1
13	10009245	螺钉	SCREW	1
14	10009371	上弯针滑杆组件	UPPER LOOPER HOLDER ASSEMBLY	1
15	10009405	毛毡	FELT	1
16	20001060	销组件	PIN ASSEMBLY	1
17	10009240	螺钉	SCREW	1
18	10002906	滑杆座	UPPER LOOPER HOLDER	1
19	10009008	螺钉	BOLT	2
20	10009397	毛毡	FILTER	1
21	10009378	盖板	COVER	1
22	10009379	螺钉	SCREW	1
23	*	上弯针	UPPER LOOPER	1
24	10009352	螺钉	SCREW	1
25	10012322	销	PIN	1
26	10009826	钢球	PLUG	1
27	10009074	螺钉	SCREW	1
28	10009393	挡板	COVER	1
29	10010554	螺钉	SCREW	1
30	10009353	螺钉	SCREW	1

# 8、下弯针传动机构 / LOWER LOOPER DRIVE MECHANISM



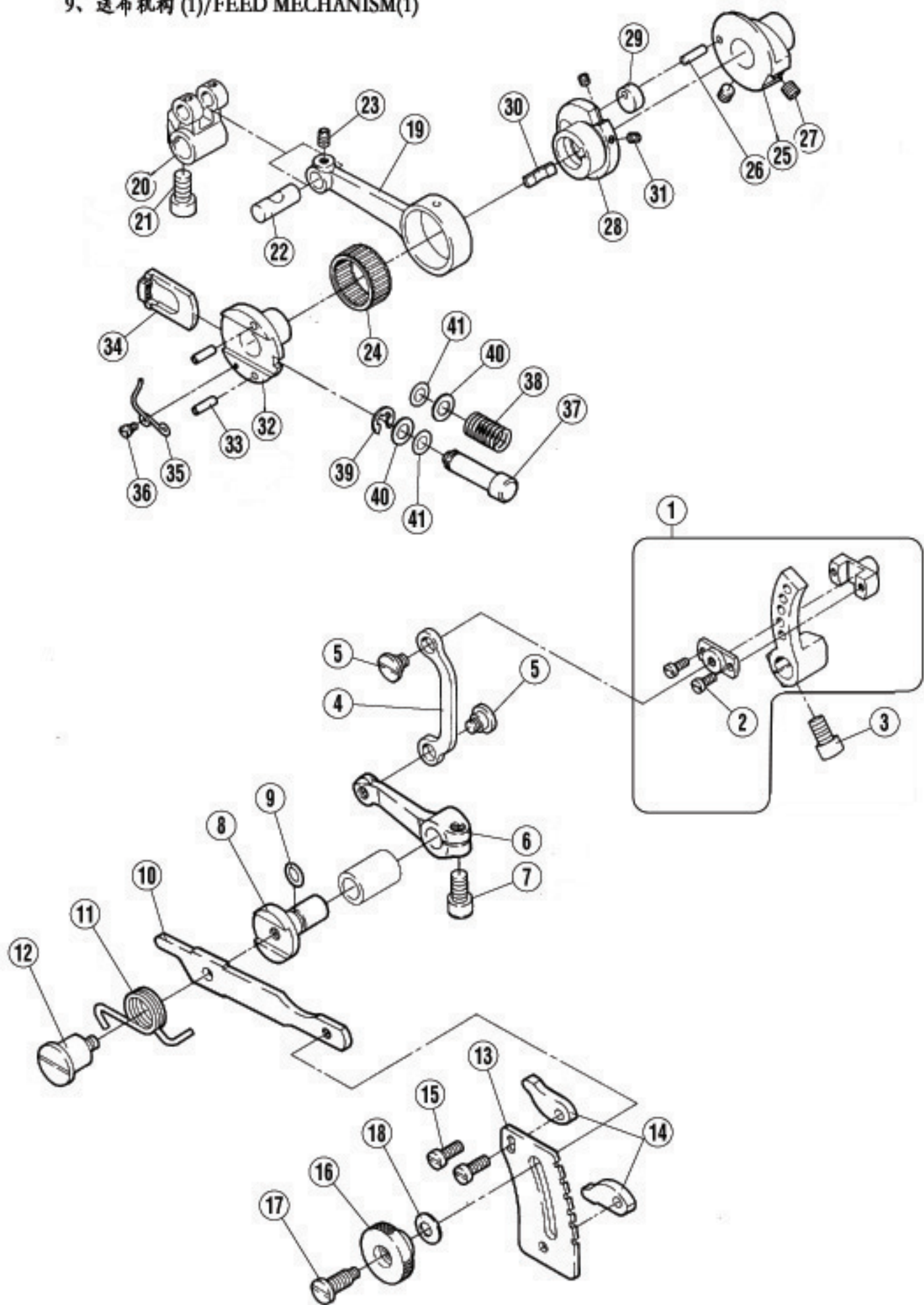


## 下弯针传动机构

## LOWER LOOPER DRIVE MECHANISM

序号 No.	件号 Pars No.	名称	Description	数量 Number
1	10027700	连杆组件	ROD	1
2	10009103	螺钉	BOLT	4
3	10009111	挡圈	GUIDE	2
4	10004358	曲柄	CRANK	1
5	10009163	螺钉	SCREW	2
6	10002663	曲柄	CRANK	1
7	10009163	螺钉	SCREW	2
8	10009387	轴	SHAFT	1
9	10009367	垫圈	WASHER	1
10	10009349	螺钉	SCREW	1
11	10005537	垫圈	SPRING WASHER	1
12	10009399	油封	OIL SEAL	1
13	10002929	下弯针架组件	LOWER LOOPER HOLDER ASSEMBLY	1
14	10002956	销	PIN	1
15	10009480	销	PIN	1
16	10009245	螺钉	BOLT	1
17	*	下弯针	LOWER LOOPER	1
18	10009601	螺钉	SCREW	1

# 9、送布机构 (1)/FEED MECHANISM(1)

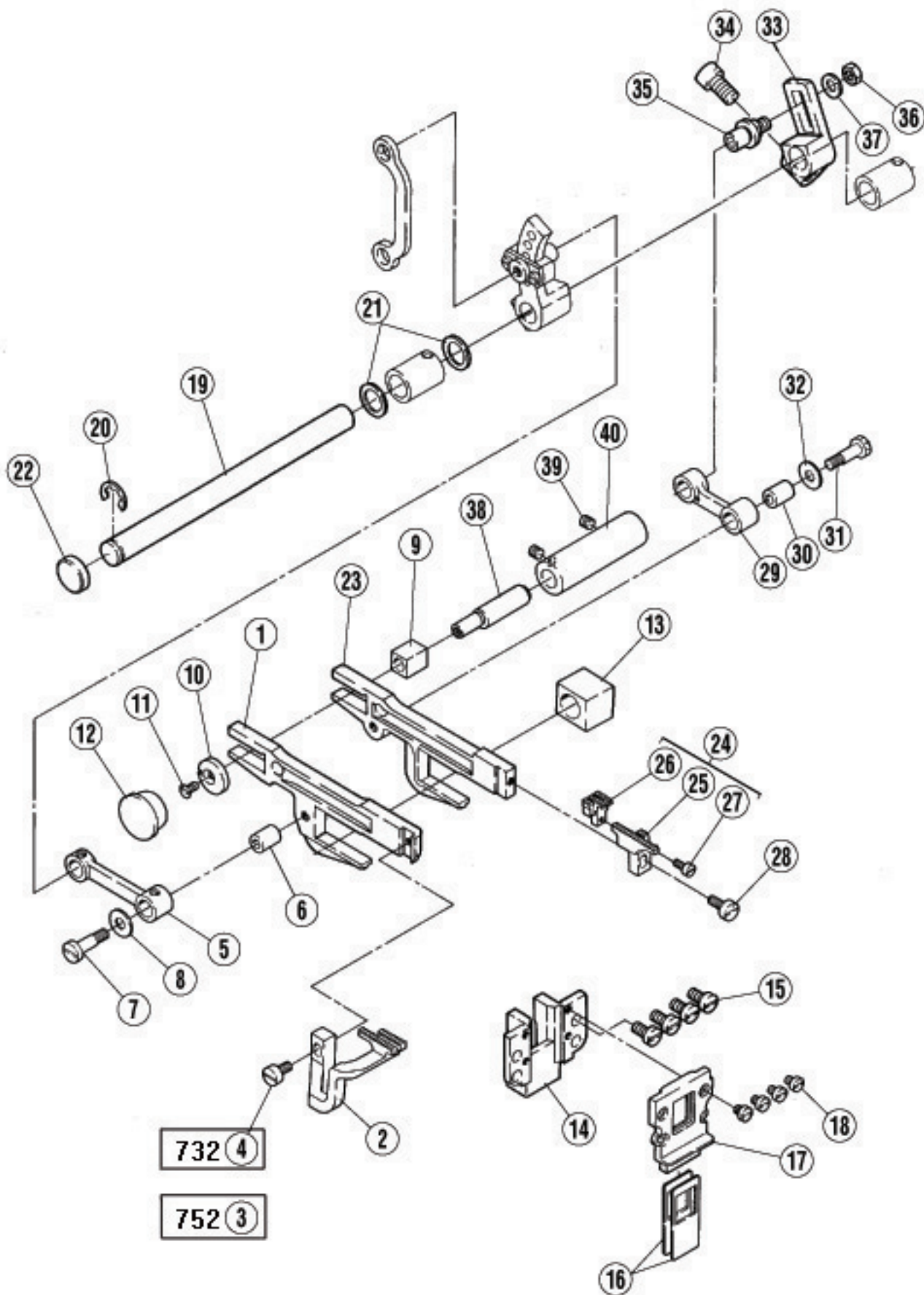


## 送布机构(1)

## FEED MECHANISM(1)

序号 No.	件号 Pars No.	名称	Description	数量 Number
1	10009259	曲柄组件	CRANK ASSEMBLY	1
2	10009625	螺钉	SCREW	2
3	10009164	螺钉	BOLT	1
4	10009605	差动调节连杆	DIFFERENTIAL FEED REGULATING LINK	1
5	10009624	螺钉	SCREW	2
6	10009607	差动调节左曲柄	LEVER	1
7	10009164	螺钉	BOLT	1
8	10009606	差动调节轴	SHAFT	1
9	10009608	O形圈	O RING	1
10	10009560	调节杆	LEVER	1
11	10009563	弹簧	SPRING	1
12	10009560	螺钉	SCREW	1
13	10009561	调节指示板	REGULATOR PLATE	1
14	10009566	限位片	STOPPER	2
15	10009037	螺钉	SCREW	2
16	10009565	螺母	NUT	1
17	10009562	螺钉	SCREW	1
18	10009564	垫圈	SPRING WASHER	1
19	10002886	滚针轴承连杆	ROD	1
20	10009260	送布曲柄	CRANK	1
21	10009164	螺钉	BOLT	1
22	10009165	销	PIN	1
23	10009109	螺钉	SCREW	1
24	10002888	轴承	NEEDLE BEARING	1
25	10003217	针距调节偏心轮片	REGULATOR	1
26	10003219	销	PIN	1
27	10012162	螺钉	SCREW	2
28	10009327	送布偏心轮	ECCENTRIC	1
29	10003218	送布偏心轮导轮	GUIDE	1
30	10009326	弹簧	FLAT SPRING	1
31	10013019	螺钉	SCREW	2
32	10002885	针距调节凸轮	ECCENTRIC	1
33	10009298	销	SPRING PIN	2
34	10002889	内齿锁紧块	RATCHET	1
35	10002887	弹簧	SPRING	1
36	10002890	螺钉	SCREW	1
37	10009258	按钮轴	PUSH BUTTON	1
38	10009262	弹簧	SPRING	1
39	10009654	挡圈	RING	1
40	10009257	垫圈	WASHER	2
41	10009261	O形圈	O RING	2

10、送料机构 (2)/FEED MECHANISM(2)

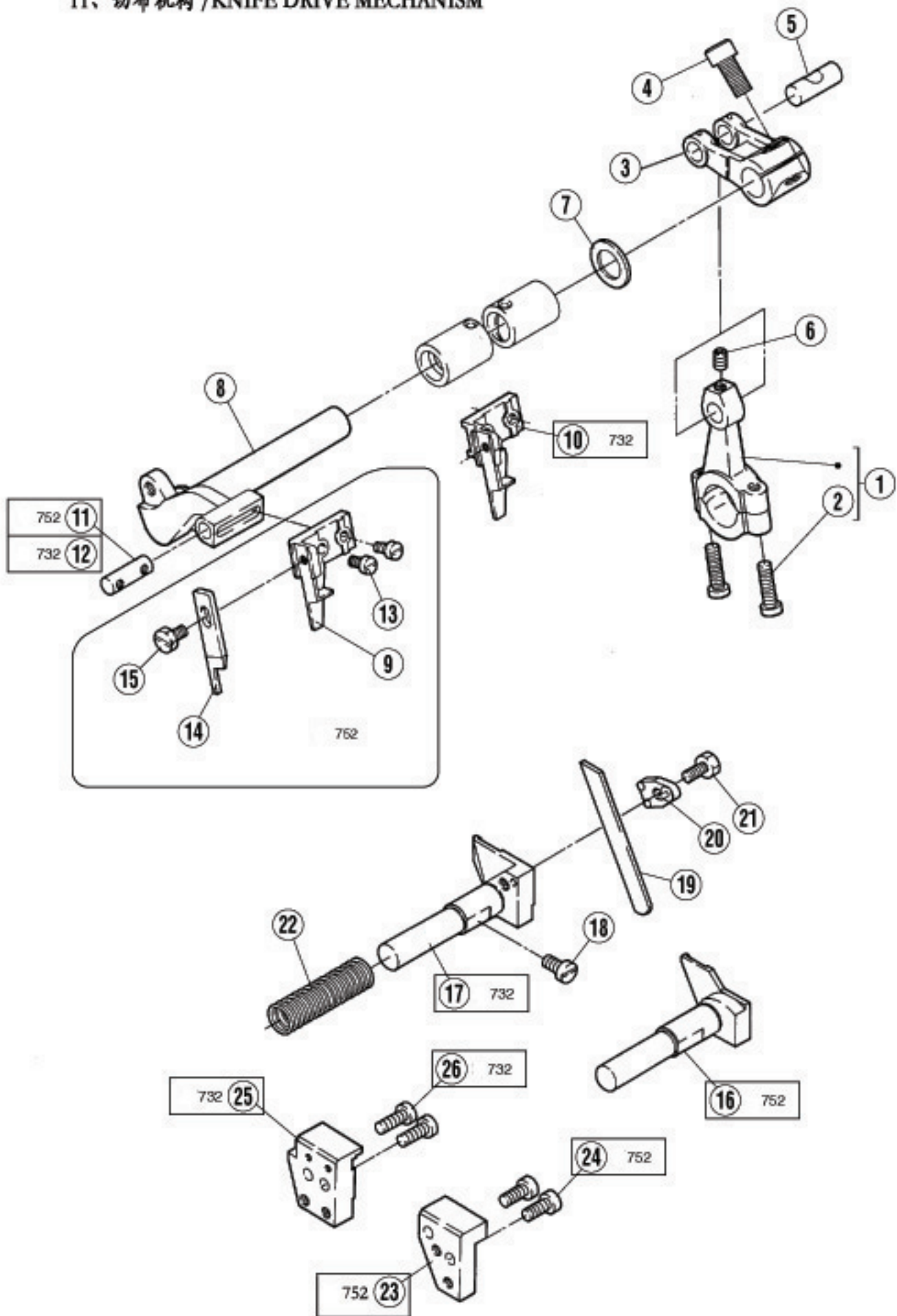


## 送料机构(2)

## FEED MECHANISM(2)

序号 No.	件号 Pars No.	名称	Description	数量 Number
1	10009631	差动牙架	DIFFERENTIAL FEED BAR	1
2	*	差动送料牙	DIFFERENTIAL FEED DOG	1
3	10009586	螺钉	SCREW	1
4	10009601	螺钉	SCREW	1
5	10009630	差动送料连杆	DIFFERENTIAL FEED LINK	1
6	10009569	连杆销套	BUSHING	1
7	10009573	螺钉	SCREW	1
8	10009571	垫圈	WASHER	1
9	10009633	方型滑块	BLOCK	1
10	10009627	垫圈	WASHER	1
11	10009626	螺钉	SCREW	1
12	10009576	橡胶塞	PLUG	1
13	10009629	抬牙滑块	FEED BAR LIFT	1
14	10009587	牙架导板	FEED BAR GUIDE	1
15	10010595	螺钉	SCREW	4
16	10009585	油封	OIL SHIELD	2
17	10009575	油封架	GUIDE	1
18	10009597	螺钉	SCREW	4
19	10009559	送布轴	SHAFT	1
20	10009239	挡圈	RING	1
21	10009232	垫圈	WASHER	2
22	10009572	橡胶塞	PLUG	1
23	10009567	送布牙架	MAIN FEED BAR	1
24	*	主送料牙组件	MAIN FEED DOG ASSEMBLY	1
25	*	主送料牙主体	MAIN FEED DOG	1
26	*	辅助送料牙	ASSISTANT FEED DOG	1
27	10010555	螺钉	SCREW	1
28	10009586	螺钉	SCREW	1
29	10009568	送料连杆	MAIN FEED LINK	1
30	10009569	连杆销套	BUSHING	1
31	10009573	螺钉	SCREW	1
32	10009571	垫圈	WASHER	1
33	10009574	方口曲柄	CRANK	1
34	10009164	螺钉	BOLT	1
35	10009570	销	PIN	1
36	10009467	螺母	NUT	1
37	10012393	垫圈	WASHER	1
38	10009634	偏心轴	ECCENTRIC PIN	1
39	10009074	螺钉	SCREW	2
40	10009632	轴套	BUSHING	1

# 11、切布机构 / KNIFE DRIVE MECHANISM

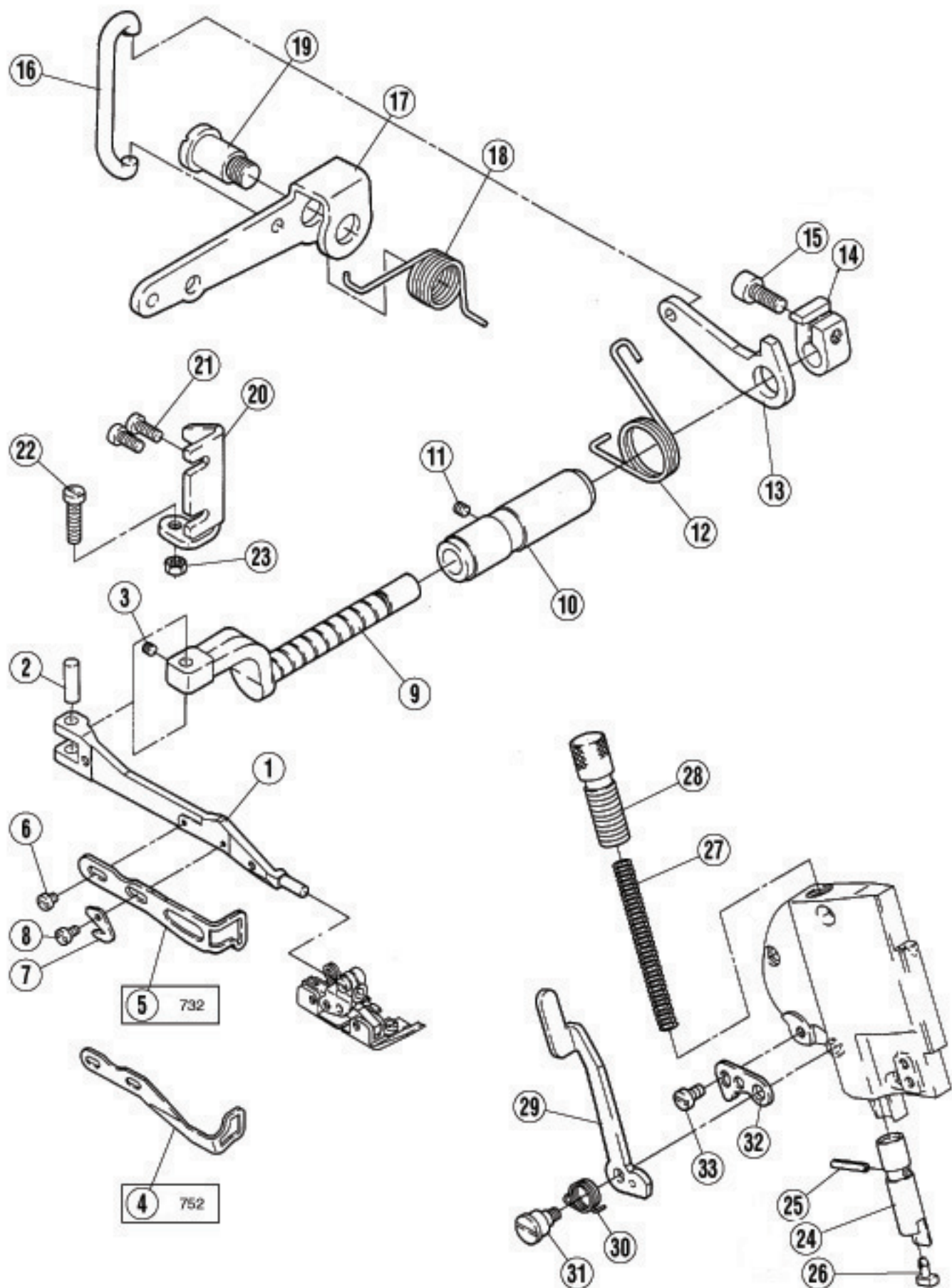


## 切布机构

## KNIFE DRIVE MECHANISM

序号 No.	件号 Pars No.	名称	Description	数量 Number
1	10027702	连杆组件	ROD	1
2	10009103	螺钉	BOLT	2
3	10009110	上刀曲柄	CRANK	1
4	10009164	螺钉	BOLT	1
5	10009165	销	PIN	1
6	10009109	螺钉	SCREW	1
7	10009709	垫圈	WASHER	1
8	10009484	上刀轴	UPPER BLADE LEVER	1
9	10009488	上刀架	UPPER BLADE CLAMP	1
10	10009764	上刀架	UPPER BLADE CLAMP	1
11	10009489	销	PIN	1
12	10009711	销	PIN	1
13	10009115	螺钉	SCREW	2
14	*	上刀	UPPER BLADE	1
15	10009483	螺钉	SCREW	1
16	10009490	下刀架	LOWER BLADE HOLDER	1
17	10009773	下刀架	LOWER BLADE HOLDER	1
18	10010595	螺钉	SCREW	1
19	*	下刀	LOWER BLADE	1
20	10009485	下刀压板	LOWER BLADE CLAMP	1
21	10009486	螺钉	SCREW	1
22	10009746	弹簧	SPRING	1
23	10009482	下刀架托板	GUIDE	1
24	10009104	螺钉	SCREW	2
25	10009673	针板座托	GUIDE	1
26	10009037	螺钉	SCREW	2

12、压脚机构 (1)/PRESSER FOOT MECHANISM(1)





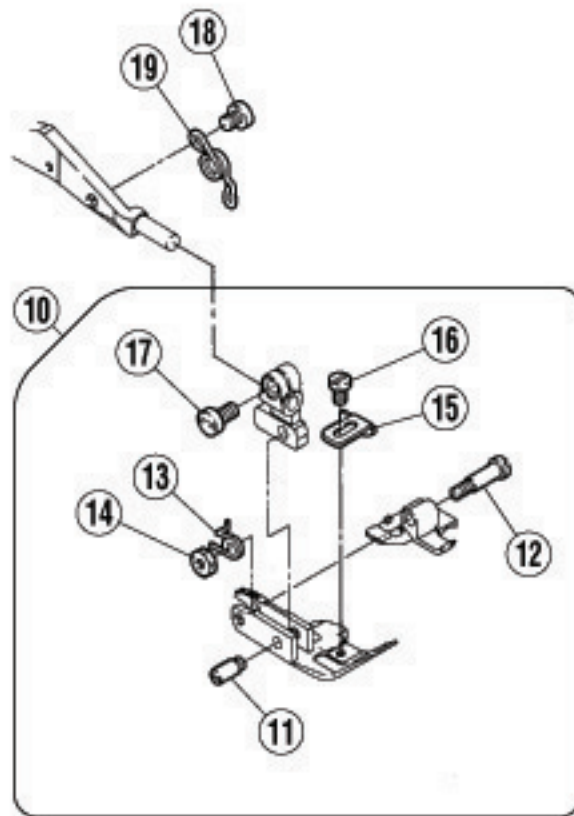
## 压脚机构(1)

## PRESSER FOOT MECHANISM(1)

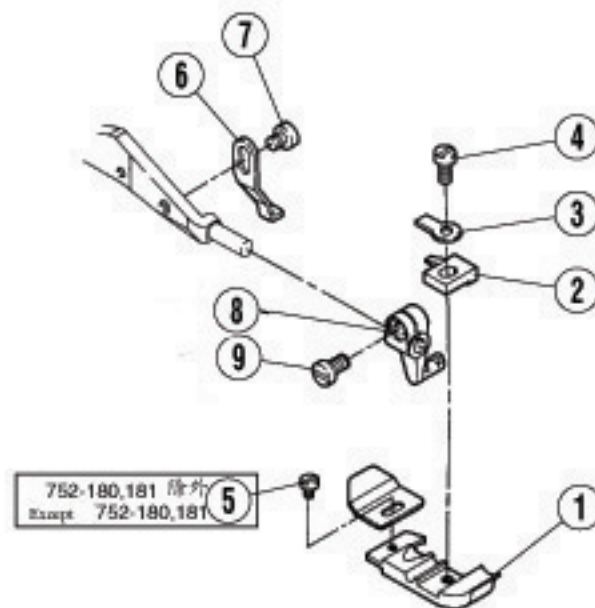
序号 No.	件号 Pars No.	名称	Description	数量 Number
1	10009315	压脚臂	PRESSER ARM	1
2	10009319	销	PIN	1
3	10014216	螺钉	SCREW	1
4	10009320	防护架	FINGER GUARD	1
5	10009650	防护架	FINGER GUARD	1
6	10009529	螺钉	SCREW	1
7	10009318	割线刀	CHAIN CUTTER	1
8	10009597	螺钉	SCREW	1
9	10009316	压脚轴	SHAFT	1
10	10012066	轴套	BUSHING	1
11	10009074	螺钉	SCREW	1
12	10012101	弹簧	SPRING	1
13	10013288	抬压脚连杆	LEVER	1
14	10009617	抬压脚曲柄	COLLAR	1
15	10009616	螺钉	BOLT	1
16	10009622	抬压脚拉杆	LINK	1
17	10009618	抬压脚杠杆	FOOT LIFT	1
18	10009620	弹簧	SPRING	1
19	10009621	螺钉	SCREW	1
20	10009619	制动板	STOPPER	1
21	10009104	螺钉	SCREW	2
22	10009623	螺钉	SCREW	1
23	10009467	螺母	NUT	1
24	10009554	压脚杆	PRESSER BAR	1
25	10002844	销	SPRING PIN	1
26	10009454	塑料垫	PIN	1
27	10009557	弹簧	SPRING	1
28	10009581	螺钉	SCREW	1
29	10009472	压脚扳手	LEVER	1
30	10009473	弹簧	SPRING	1
31	10009474	螺钉	SCREW	1
32	10009555	挡板	STOPPER	1
33	10009556	螺钉	SCREW	1

### 13、压脚机构 (2)/PRESSER FOOT MECHANISM(2)

732  
( 732-86 除外 )  
(Except 732-86)



752

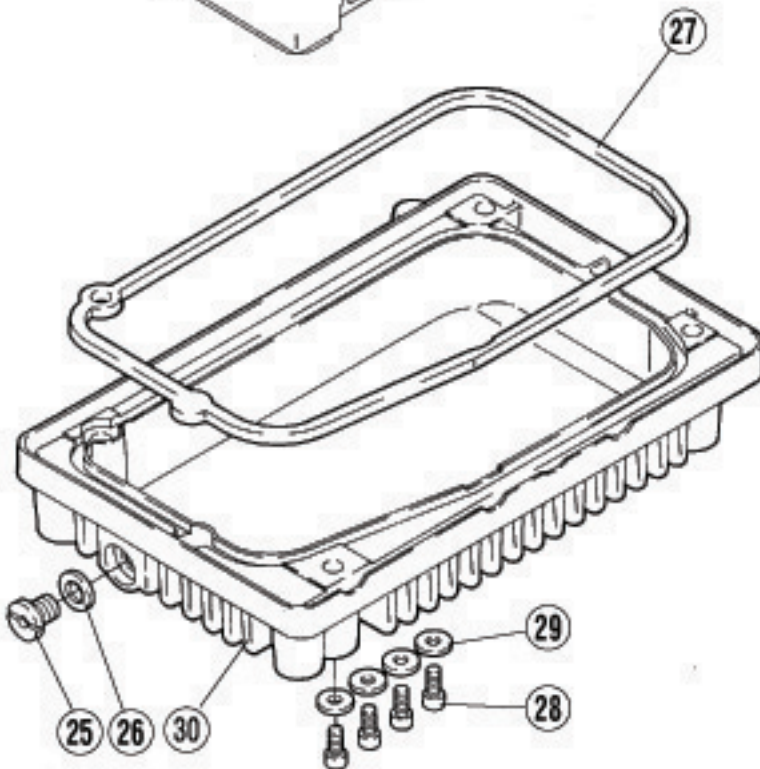
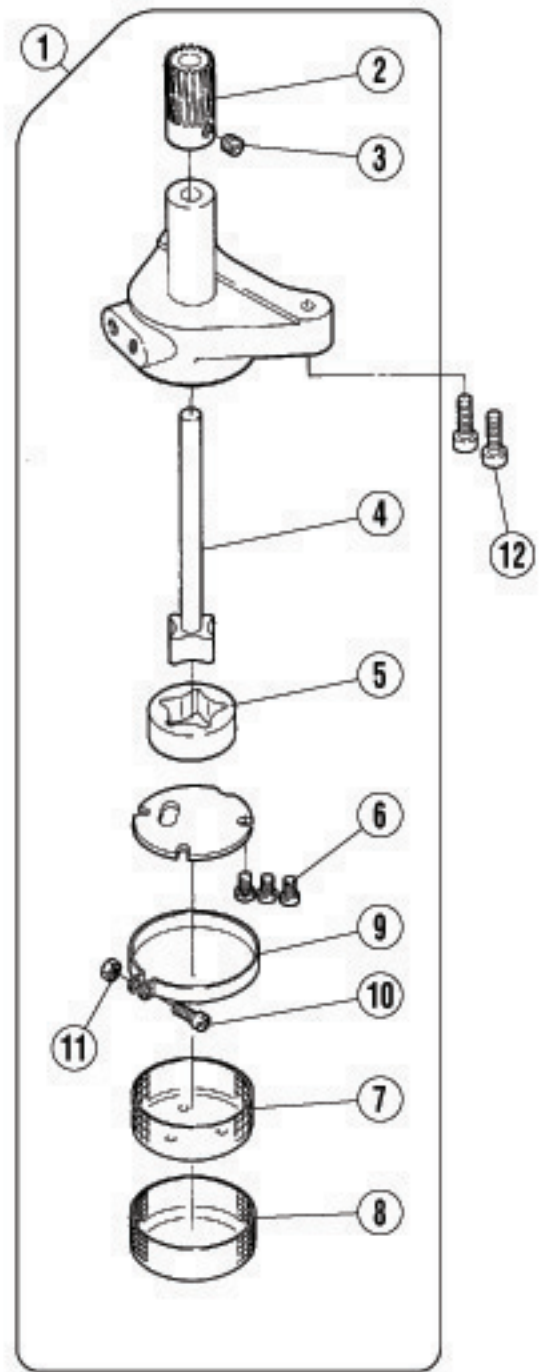
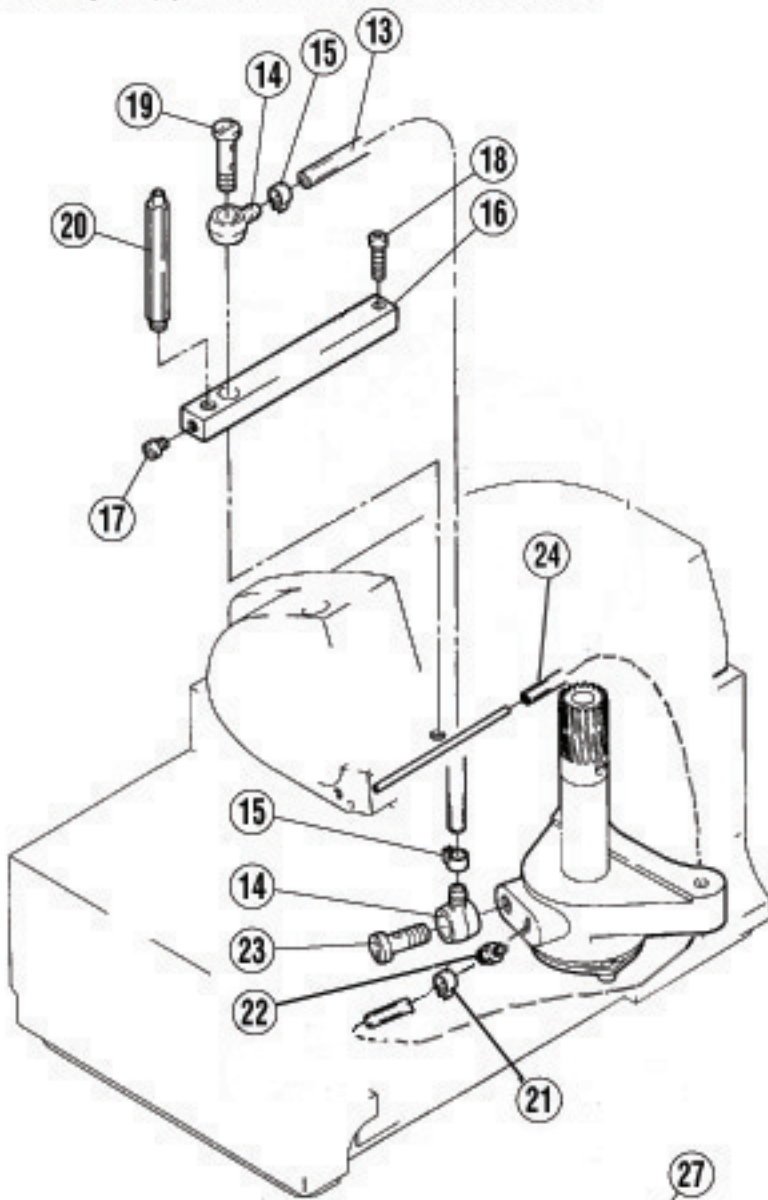


压脚机构(2)

PRESSER FOOT MECHANISM(2)

序号 No.	件号 Pars No.	名称	Description	数量 Number
1	*	压脚底板	PRESSER FOOT	1
2	*	压脚吐线舌	PRESSER FOOT FINGER	1
3	10003188	弹簧压板	SET PLATE	1
4	10003192	螺钉	SCREW	1
5	10003189	螺钉	SCREW	1
6	10009317	压脚限位板	REGULATOR	1
7	10009529	螺钉	SCREW	1
8	10002850	压脚连接柄	BRACKET	1
9	10009580	螺钉	SCREW	1
10	*	压脚组件	PRESSER FOOT ASSEMBLY	1
11	10003268	销	PIN	1
12	10003272	螺钉	SCREW	1
13	10002757	弹簧	SPRING	1
14	10002759	螺母	NUT	1
15	10003270	挡板	FABRIC GUIDE	1
16	10003189	螺钉	SCREW	1
17	10009580	螺钉	SCREW	1
18	10009529	螺钉	SCREW	1
19	10009651	弹簧	SPRING	1

# 14、润滑机构 / LUBRICATION MECHANISM



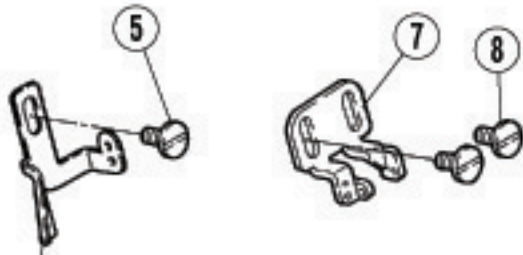
润滑机构

LUBRICATION MECHANISM

序号 No.	件号 Pars No.	名称	Description	数量 Number
1	10014382	油泵组件	PUMP ASSEMBLY	1
2	10003175	斜齿轮	WORM WHEEL	1
3	10012162	螺钉	SCREW	1
4	10003174	油泵轴组件	SHAFT	1
5	10003197	油泵外转子	OUTSIDE ROTOR	1
6	10009589	螺钉	SCREW	3
7	10003201	内过滤网	INSIDE FILTER	1
8	10003199	外过滤网	OUTSIDE FILTER	1
9	10003200	紧固圈	CLAMP	1
10	10003203	螺钉	SCREW	1
11	10003025	螺母	NUT	1
12	10009103	螺钉	BOLT	2
13	10007796	油管	OIL TUBE	1 (220mm)
14	10009588	塑料接头	JOINT	2
15	10011471	油管夹	CLAMP	2
16	10009593	油分配器	OIL DISTRIBUTOR	1
17	10009595	螺钉	SCREW	1
18	10009075	螺钉	SCREW	1
19	10009590	螺钉接头	JOINT SCREW	1
20	10009594	喷油螺钉	SCREW	1
21	10009496	油管夹	CLAMP	1
22	10009591	螺钉接头	JOINT SCREW	1
23	10009592	螺钉接头	JOINT SCREW	1
24	10007793	油管	OIL TUBE	1 (240mm)
25	10009264	螺钉	SCREW	1
26	10009263	垫圈	WASHER	1
27	10009266	油盘垫	GASKET	1
28	10014210	螺钉	BOLT	4
29	10009447	垫圈	WASHER	8
30	10009265	油盘	OIL RESERVOIR	1
31				
32				
33				
34				
35				
36				
37				
38				
39				
40				

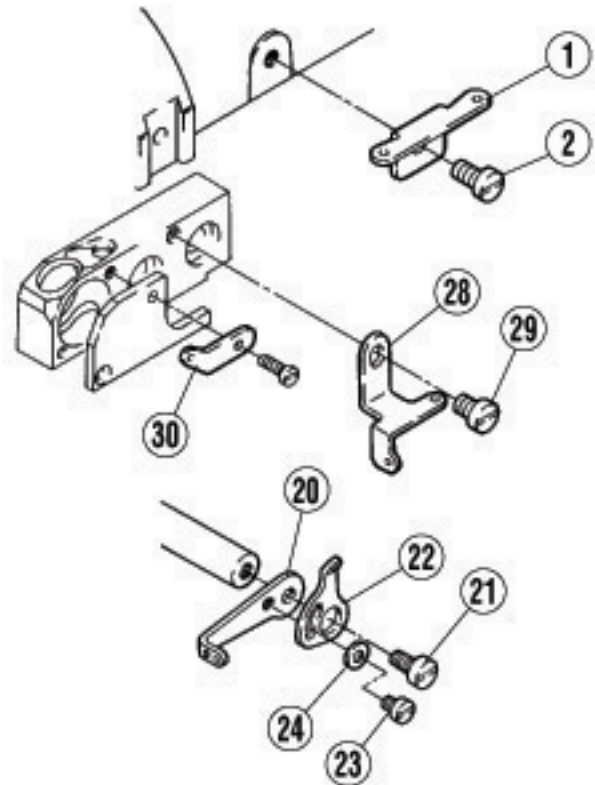
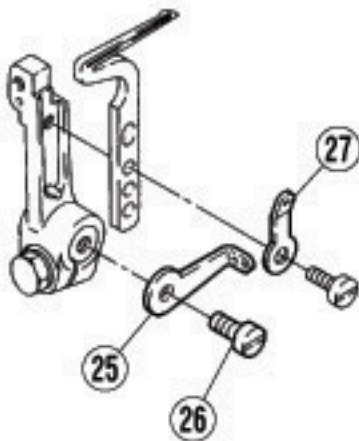
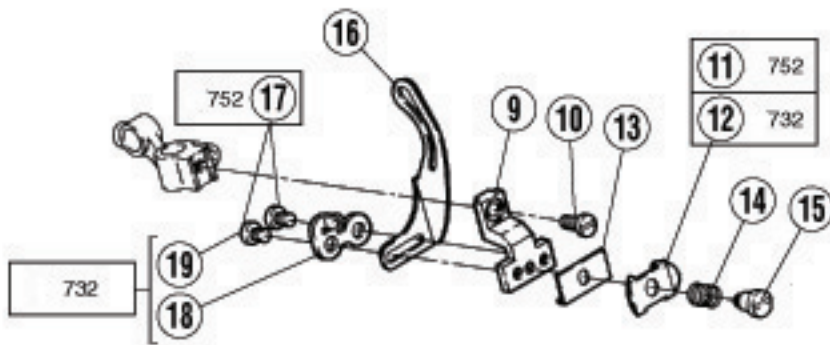
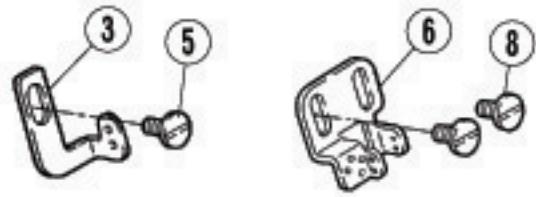
15、过线、打线机构部件 / THREAD GUIDE & THREAD TAKEUP

732



4 732-355 除外  
Except 732-355

752

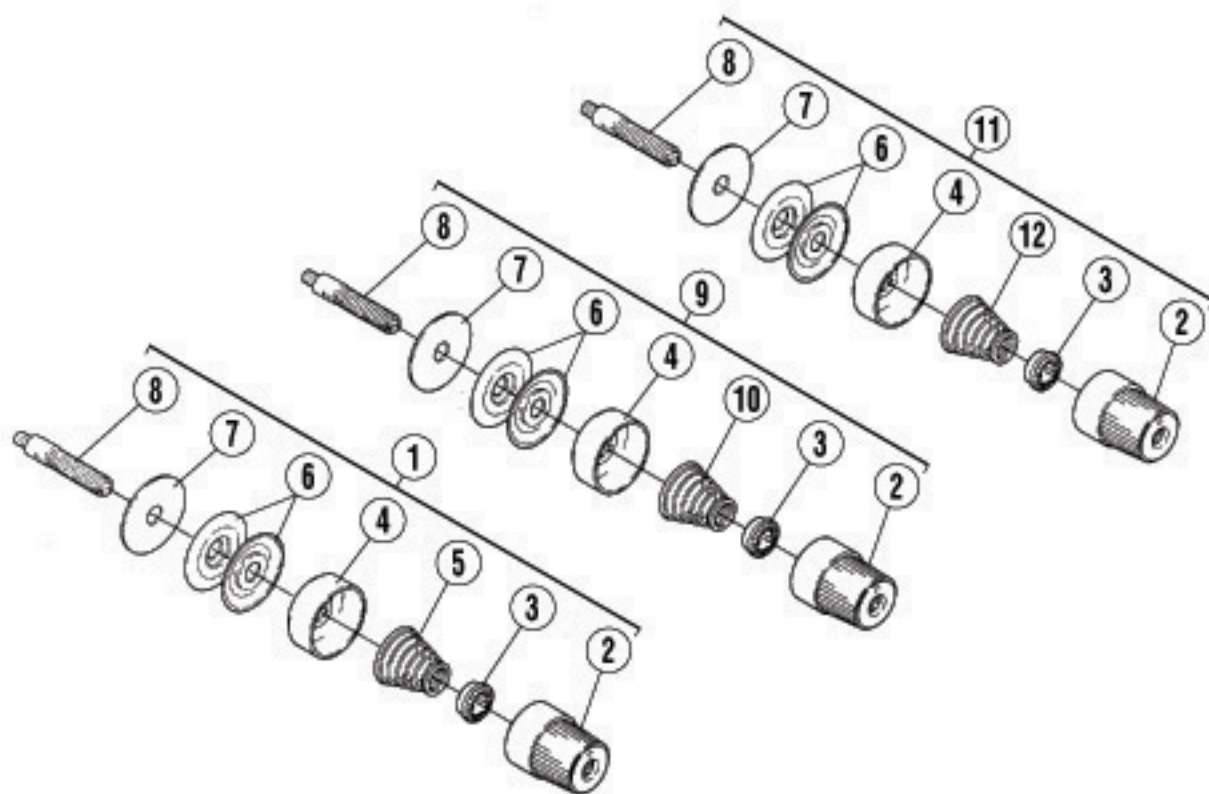


## 过线、打线机构部件

## THREAD GUIDE &amp; THREAD TAKEUP

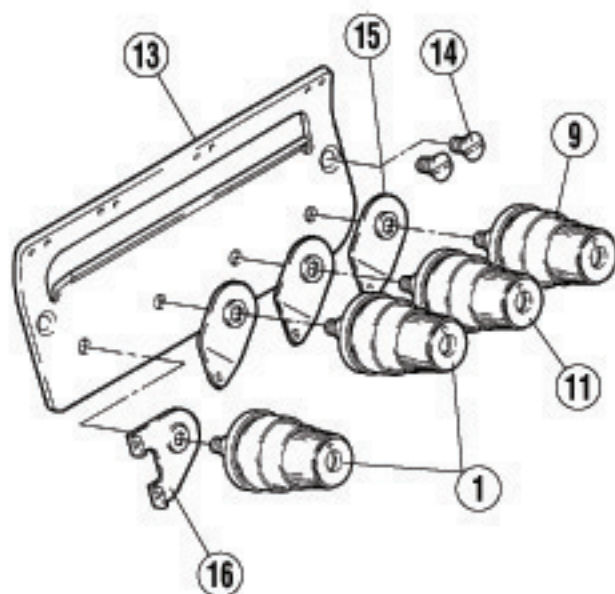
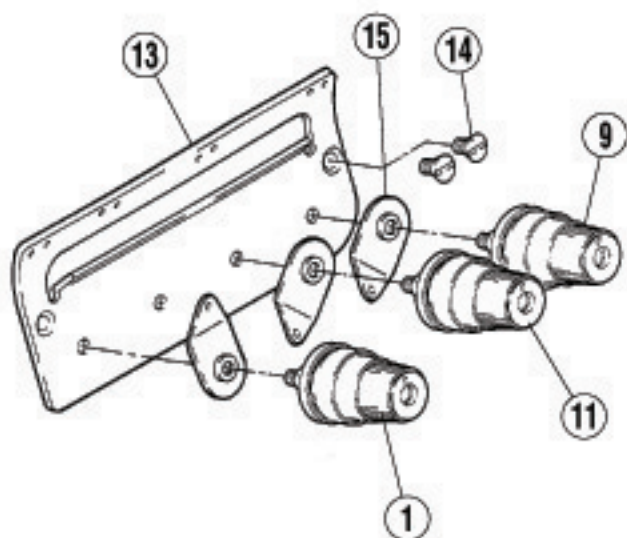
序号 No.	件号 Pars No.	名称	Description	数量 Number
1	10009499	弯针上过线板	THREAD GUIDE	1
2	10010595	螺钉	SCREW	1
3	10009491	直针左过线架	NEEDLE THREAD GUIDE	1
4	10010601	直针左过线架	NEEDLE THREAD GUIDE	1
5	10010594	螺钉	SCREW	1
6	10009495	直针右过线架	NEEDLE THREAD GUIDE	1
7	10010597	直针右过线架	NEEDLE THREAD GUIDE	1
8	10010594	螺钉	SCREW	2
9	10009497	小夹线座	THREED RETAINER	1
10	10010555	螺钉	SCREW	1
11	10009522	夹线板	THREED RETAINER	1
12	10009525	夹线板	THREED RETAINER	1
13	10010608	夹线板	GUIDE	1
14	10009500	弹簧	SPRING	1
15	10009501	螺钉	SCREW	1
16	*	挺线架	NEEDLE THREAD TAKE-UP	1
17	10009521	螺钉	SCREW	2
18	10010606	链直针过线板	THREED GUIDE	1
19	10010607	螺钉	SCREW	2
20	10009530	上弯针轴内过线板	THREED TAKE-UP	1
21	10010595	螺钉	SCREW	1
22	10009527	上弯针轴外过线板	THREED TAKE-UP	1
23	10009529	螺钉	SCREW	1
24	10009599	垫圈	WSHER	
25				
26				
27				
28				
29				
30				
31				
32				
33				
34				
35				
36				
37				
38				
39				
40				

## 16、线张力调节机构 / THREAD TENSION MECHANISM



752  
 ( 752-13A, 13H, 181 除外 )  
 (Except 752-13A, 13H, 181)

732  
 ( 732-355 除外 )  
 (Except 732-355)  
 752-13A, 13H





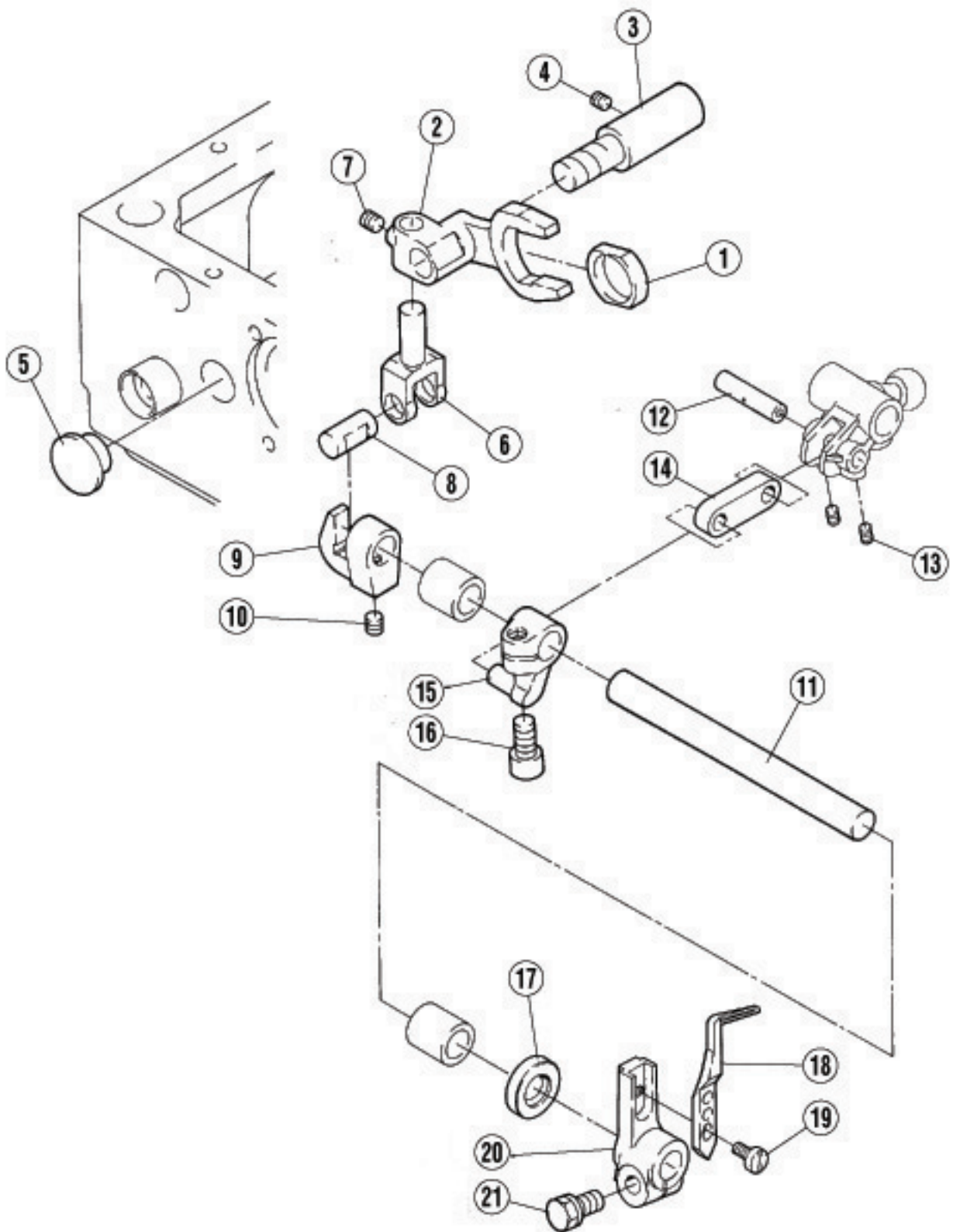
线张力调节机构

THREAD TENSION MECHANISM

序号 No.	件号 Pars No.	名称	Description	数量 Number
1	10003110	直针夹线器组件	THREAD TENSION ASSEMBLY	1
2	10009531	夹线螺母	NUT	1
3	10003111	防松垫	RATCHET	1
4	10003113	夹线碗	CUP	1
5	10009534	弹簧	SPRING	1
6	10003116	夹线盘	TENSION DISC	2
7	10003117	布垫	FELT	1
8	10003112	螺钉	SCREW STUD	1
9	10003114	下弯针夹线器组件	THREAD TENSION ASSEMBLY	1
10	10009532	弹簧	SPRING	1
11	10003118	上弯针夹线器组件	THREAD TENSION ASSEMBLY	1
12	10009533	弹簧	SPRING	1
13	10003109	夹线器座	THREAD GUIDE	1
14	10009290	螺钉	SCREW	2
15	10003115	过线板	THREAD GUIDE	3
16	10004185	二孔过线板	THREAD GUIDE	1

17、链缝机构(1)/CHAINSTITCH LOOPER DRIVE MECHANISM(1)

732



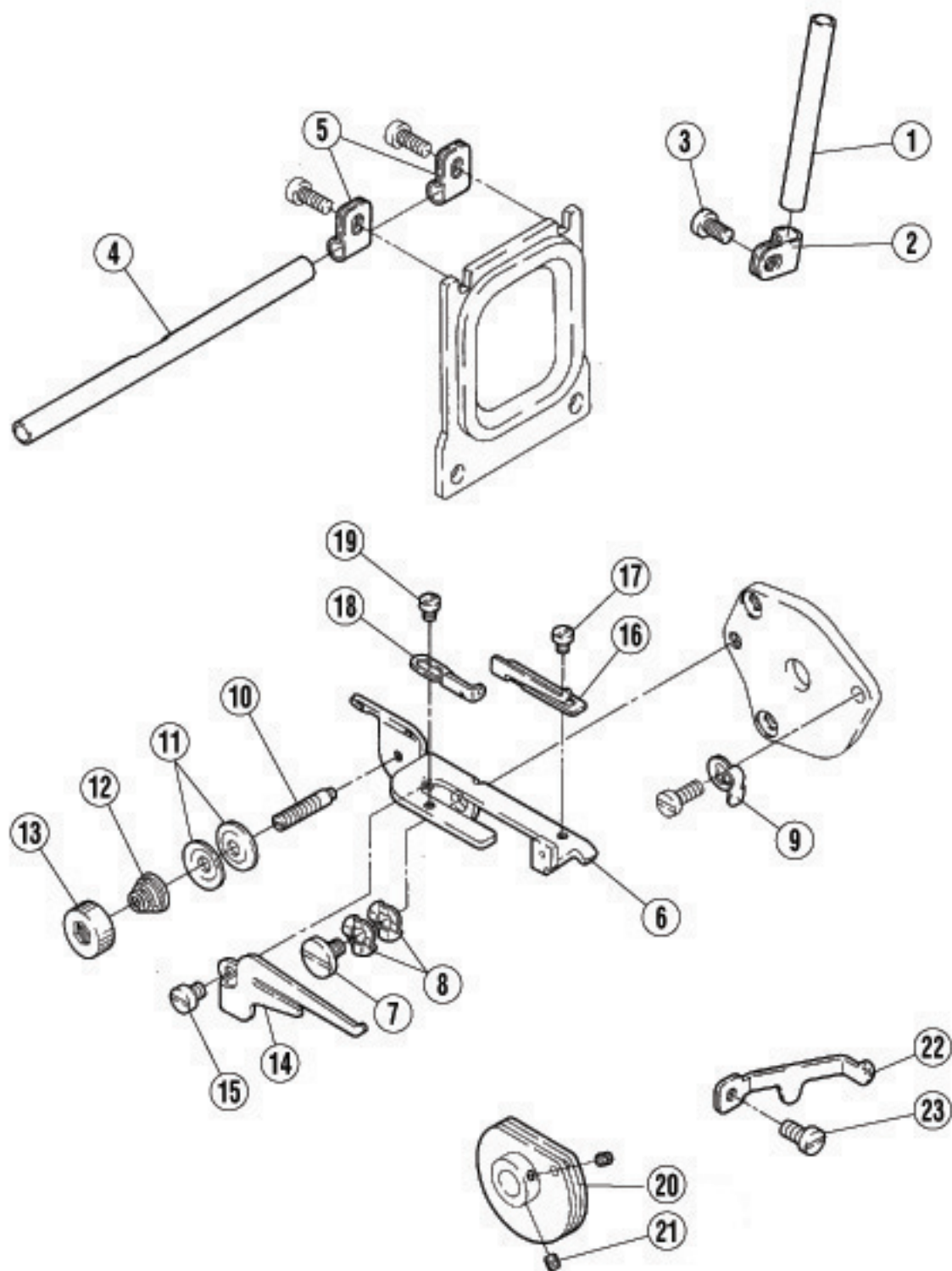
链缝机构(1)

CHAINSTITCH LOOPER DRIVE MECHANISM(1)

序号 No.	件号 Pars No.	名称	Description	数量 Number
1	10009863	拨叉滑块	BLOCK	1
2	10009862	链弯拨叉	LEVER	1
3	10009699	拨叉轴	SHAFT	1
4	10012162	螺钉	SCREW	1
5	10009576	橡胶塞	PLUG	1
6	10009697	推移调节杆	PIN	1
7	10012162	螺钉	SCREW	1
8	10009698	调节杆轴	SHAFT	1
9	10009603	摆动叉	HOLDER	1
10	10012162	螺钉	SCREW	1
11	10009695	链弯针轴	SHAFT	1
12	10009132	销	PIN	1
13	10013019	螺钉	SCREW	2
14	10009116	链弯针连杆	LINK	1
15	10009540	链弯摆动曲柄	CRANK	1
16	10009164	螺钉	BOLT	1
17	10009399	油封	OIL SEAL	1
18	*	链弯针	CHAINSTITCH LOOPER	1
19	10009325	螺钉	SCREW	1
20	10009584	链弯针架	LOOPER HOLDER	1
21	10009245	螺钉	BOLT	1

18、链缝机构 (2)/CHAINSTITCH LOOPER DRIVE MECHANISM(2)

732

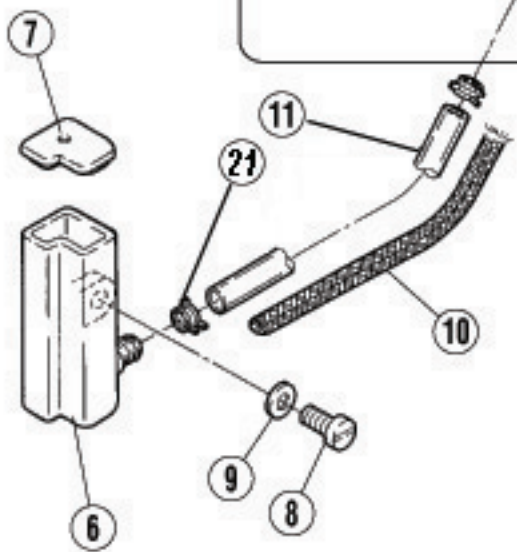
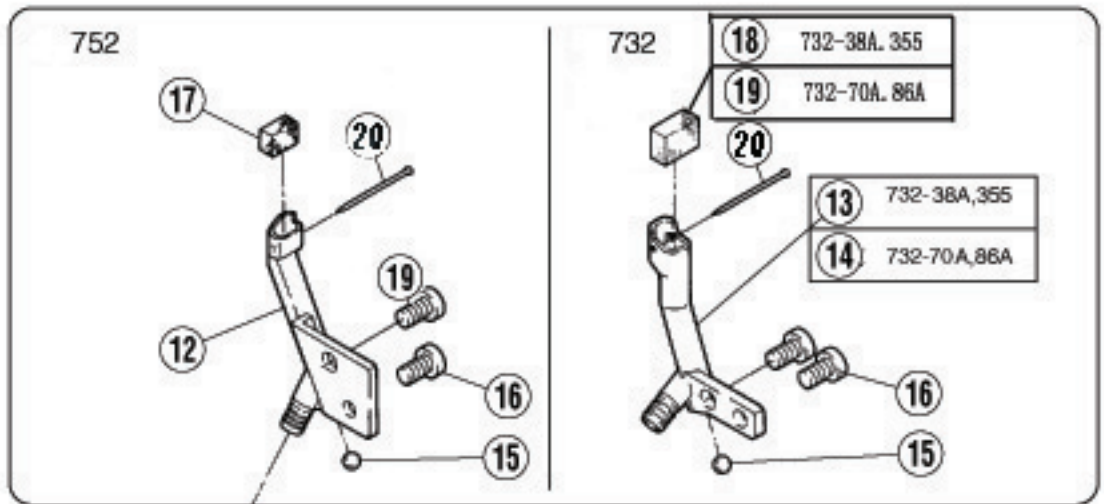
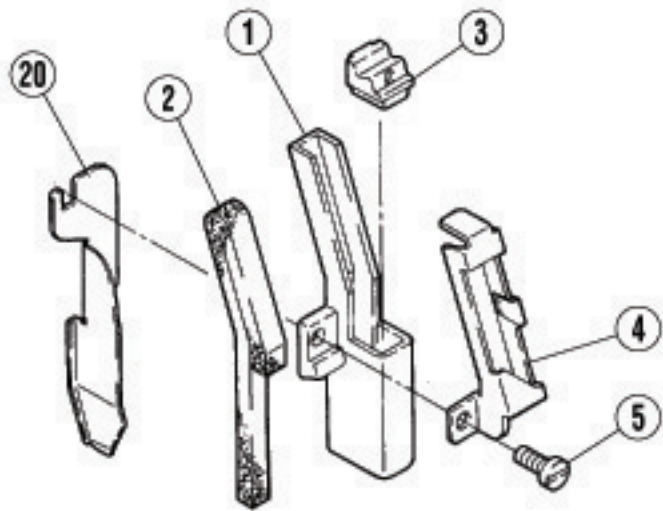


链缝机构(2)

CHAINSTITCH LOOPER DRIVE MECHANISM(2)

序号 No.	件号 Pars No.	名称	Description	数量 Number
1	10010598	链弯竖过线管	THREAD GUIDE PIPE	1
2	10010603	过线管夹簧	BRACKET	1
3	10010594	螺钉	SCREW	1
4	10010604	链弯横过线管	THREAD GUIDE PIPE	1
5	10010603	过线管夹簧	BRACKET	2
6	10010611	夹线架	BRACKET	1
7	10010556	螺钉	SCREW	1
8	10010596	垫圈	WASHER	2
9	10010602	弹簧	FLAT SPRING	1
10	10010610	螺钉	SCREW	1
11	10010613	夹线板	TENSION DISC	2
12	10010612	弹簧	SPRING	1
13	10010609	夹线螺母	KNOB	1
14	10010605	打线架	THREAD GUIDE	1
15	10004171	螺钉	SCREW	1
16	10010614	过线板	THREAD GUIDE	1
17	10009529	螺钉	SCREW	1
18	10010654	过线板	THREAD GUIDE	1
19	10009529	螺钉	SCREW	1
20	10010664	打线凸轮组件	LOOPER THREAD TAKE-UP ASSEMBLY	1
21	10010196	螺钉	SCREW	2
22	10010600	链弯前过线板	THREAD GUIDE	1
23	10010595	螺钉	SCREW	1

19. H.R. 装置 / H.R.DEVICE

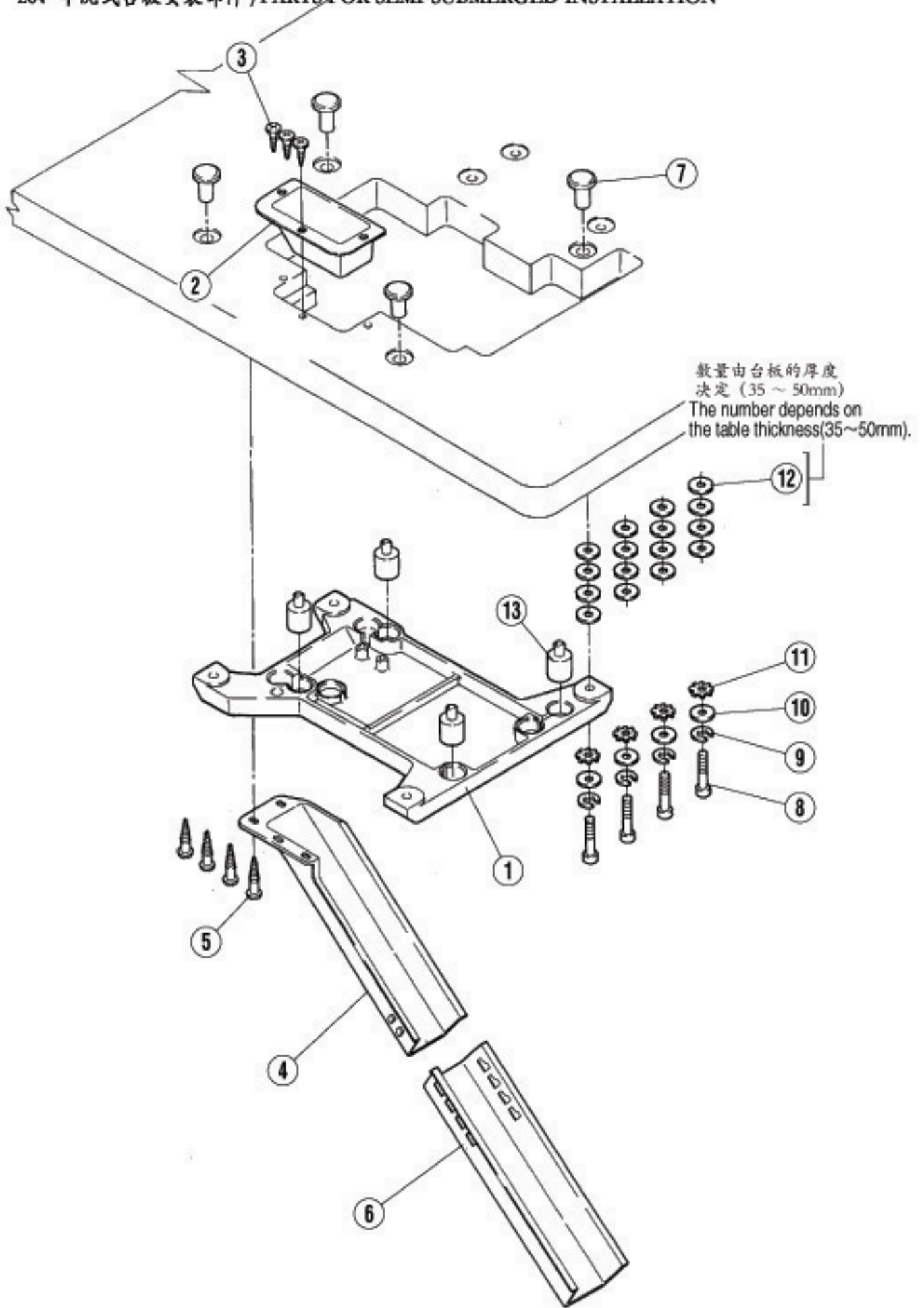


H. R. 装置

H. R. DEVICE

序号 No.	件号 Pars No.	名称	Description	数量 Number
1	10009331	上硅油盒	UPPER OIL BOX	1
2	10009330	毛毡	FELT	1
3	10009635	盒盖	COVER	1
4	10009329	毛毡盖	THREAD GUIDE	1
5	10009104	螺钉	SCREW	1
6	10010471	硅油盒	OIL BOX	1
7	10009492	盒盖	COVER	1
8	10009104	螺钉	SCREW	1
9	10003083	垫圈	WASHER	1
10	10008072	油线	OIL WICK	1
11	10007796	油管	OIL TUBE	1
12	10009498	硅油盒	NEEDLE THREAD LUBRICATOR	1
13	10010471	硅油盒	NEEDLE THREAD LUBRICATOR	1
14	10010473	硅油盒	NEEDLE THREAD LUBRICATOR	1
15	10009826	钢球	PLUG	1
16	10010595	螺钉	SCREW	2
17	10009494	油毡	OIL FELT	1
18	10010472	油毡	OIL FELT	1
19	10010474	油毡	OIL FELT	1
20	70000122	大头针	PIN	1
21	10011471	油管夹	CLAMP	2

20、半沉式台板安装部件 / PARTS FOR SEMI-SUBMERGED INSTALLATION





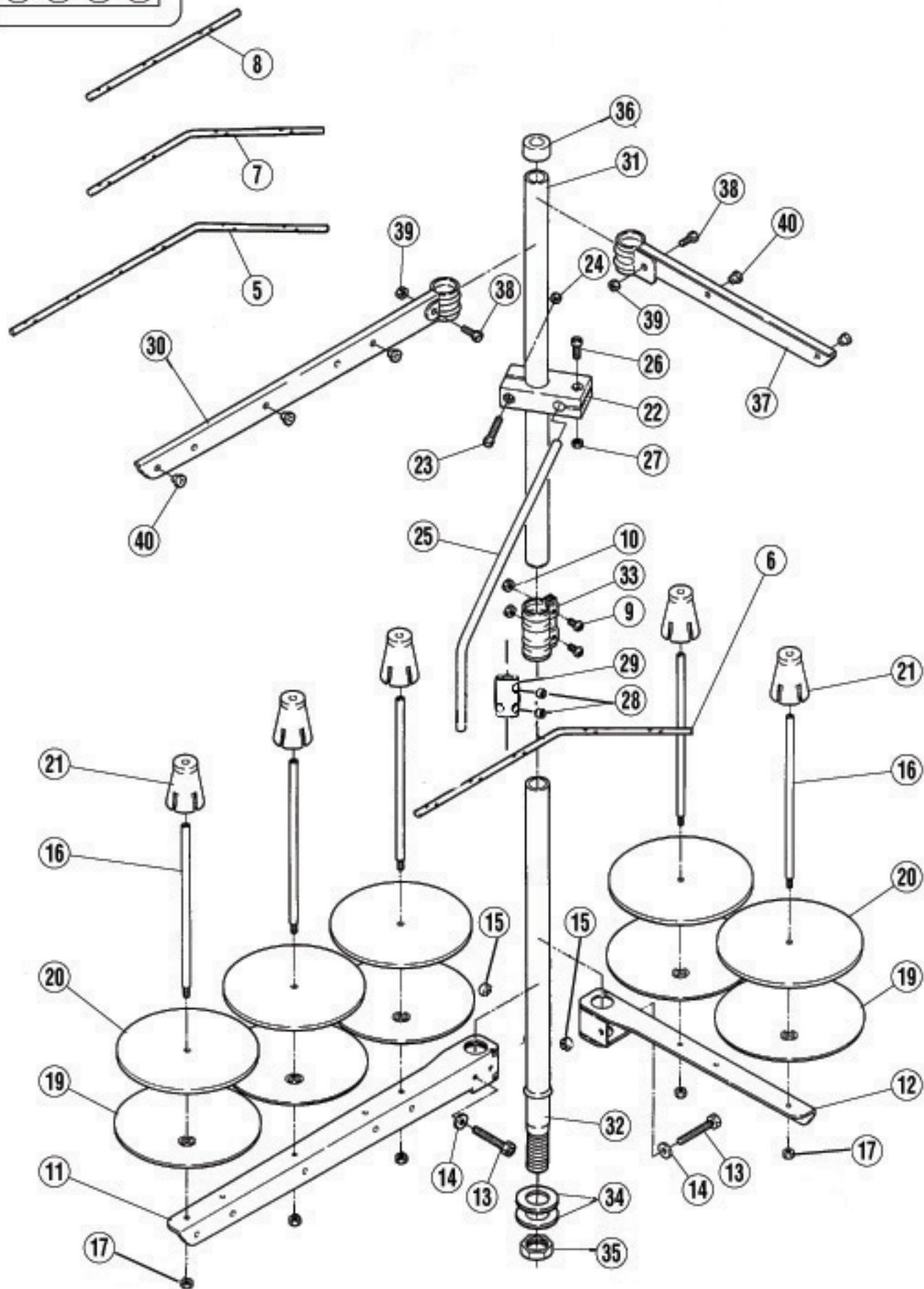
半沉式台板安装部件

PARTS FOR SEMI-SUBMERGED INSTALLATION

序号 No.	件号 Pars No.	名称	Description	数量 Number
1	10009333	安装托板	MACHINE REST BOARD	1
2	10003944	下料口	WASTE CHUTE	1
3	10008197	螺钉	SCREW	3
4	10002891	下料槽上节	WASTE CHUTE	1
5	10008197	螺钉	SCREW	4
6	10003225	下料槽下节	WASTE CHUTE	1
7	10009596	螺套	NUT	4
8	10003106	螺钉	BOLT	4
9	10003331	垫圈	SPRING WASHER	4
10	10009272	垫圈	WASHER	4
11	10009273	垫圈	WASHER	4
12	10009272	垫圈	WASHER	8
13	10012469	机头垫组件	CUSHION RUBBER	4

# 21、过线架 / THREAD STAND

1 2 3 4



## 过线架

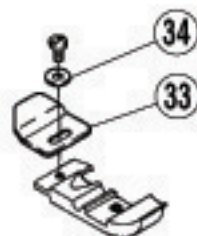
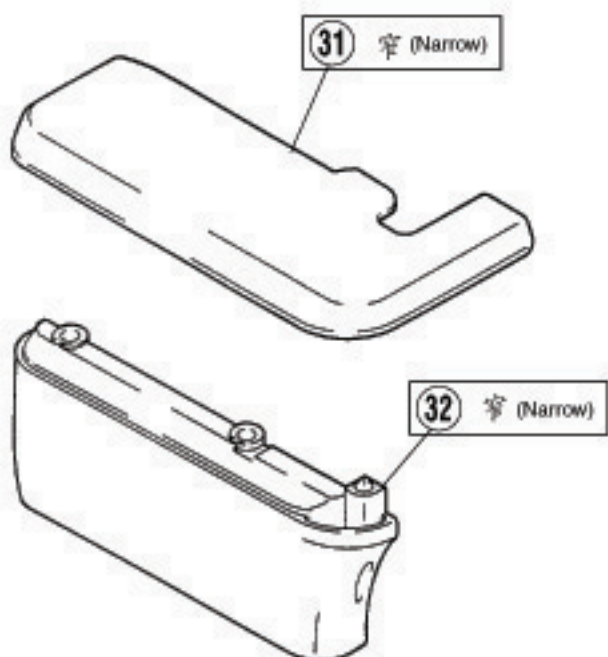
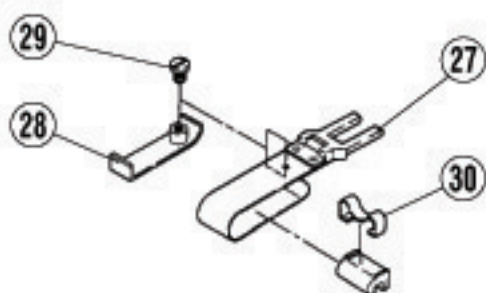
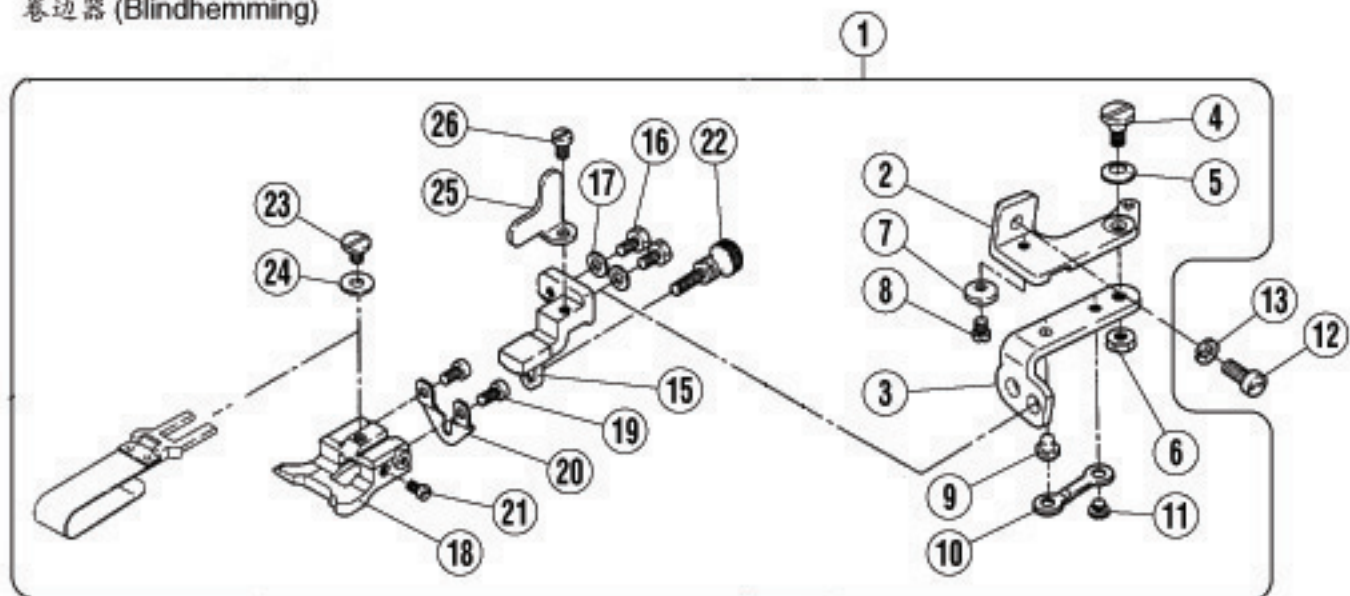
## THREAD STAND

序号 No.	件号 Pars No.	名称	Description	数量 Number
1	10005969	六线线架部件	6-SPOOL THREAD STAND ASSEMBLY	1
2	10004956	五线线架部件	5-SPOOL THREAD STAND ASSEMBLY	1
3	10007906	四线线架部件	4-SPOOL THREAD STAND ASSEMBLY	1
4	10008015	三线线架部件	3-SPOOL THREAD STAND ASSEMBLY	1
5	10005759	过线杆	THREAD GUIDE BAR	1
6	10006076	过线杆	THREAD GUIDE BAR	1
7	10004359	过线杆	THREAD GUIDE BAR	1
8	10004438	过线杆	THREAD GUIDE BAR	1
9	10003301	螺钉	SCREW	2 2 2 2
10	10002953	螺母	NUT	2 2 2 2
11	10006351	下过线架	BRACKET	2 1 1
12	10004284	下过线架	BRACKET	1 2
13	10003312	螺钉	SCREW	2 2 2 1
14	10003022	垫圈	WASHER	2 2 2 1
15	10002953	螺母	NUT	2 2 2 1
16	10004288	线轴	SPOOL PIN	6 5 4 3
17	10002953	螺母	NUT	6 5 4 3
19	10004299	线盘	SPOOL TRAY	6 5 4 3
20	10004281	线盘软垫	CUSHION	6 5 4 3
21	10004287	线盘塑料压块	SPOOL RETAINING FIN	6 5 4 3
22	10004335	保持架	BRACKET	1 1 1 1
23	10002937	螺钉	SCREW	1 1 1 1
24	10005297	螺母	NUT	1 1 1 1
25	10004346	过线杆支杆	THREAD GUIDE BAR ROD	1 1 1 1
26	10002958	螺钉	SCREW	1 1 1 1
27	10005297	螺母	NUT	1 1 1 1
28	10002851	螺钉	SCREW	2 2 2 2
29	10004334	过线杆支柱	HOLDER	1 1 1 1
30	10006345	上过线架	BRACKET (3-SPOOL)	2 1 1
31	10004293	线架上撑管	THREAD STAND ROD	1 1 1 1
32	10004291	线架下撑管	THREAD STAND ROD	1 1 1 1
33	10004286	撑管夹	JOINT	1 1 1 1
34	10004290	垫圈	WASHER	2 2 2 2
35	10002985	螺母	NUT	1 1 1 1
36	10004282	线架上撑管套	ROD CAP	1 1 1 1
37	10004298	上过线架	BRACKET (2-SPOOL)	1 2
38	10003301	螺钉	SCREW	2 2 2 1
39	10002953	螺母	NUT	2 2 2 1
40	10004289	过线管	THREAD EYELET	6 5 4 3

## 22、专用部件 (1)/SPECIFIC PARTS(1)

752-01

卷边器 (Blindhemming)



## 专用部件(1)

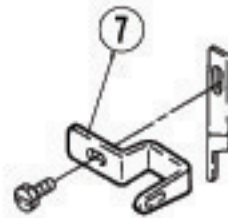
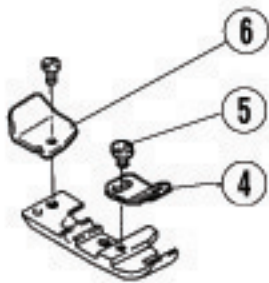
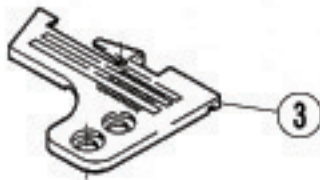
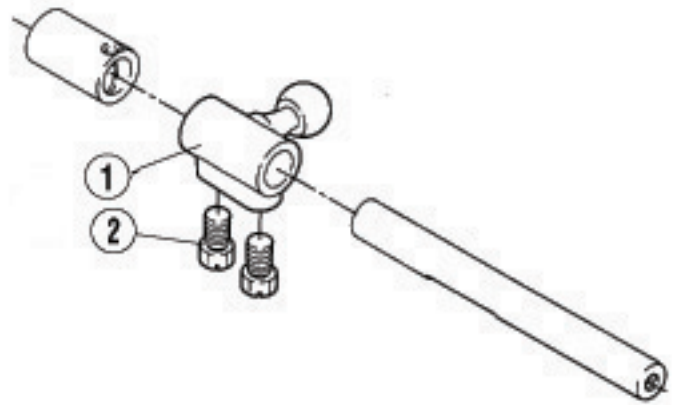
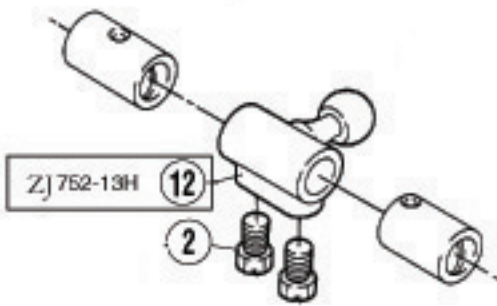
## SPECIFIC PARTS(1)

序号 No.	件号 Pars No.	名称	Description	数量 Number
1	10010978	折边器组件	HEMMING ASSEMBLY	1
2	10004418	折边器固定板	BRACKET	1
3	10004423	中连接板	HINGE	1
4	10010968	螺钉	SCREW	1
5	10010963	垫圈	SPRING WASHER	1
6	10004424	螺母	NUT	1
7	10004413	偏心垫	WASHER	1
8	10010970	螺钉	SCREW	1
9	10004422	弹簧板定位柱	PIN	1
10	10004411	弹簧板	FLAT SPRING	1
11	10010971	螺钉	SCREW	1
12	10009104	螺钉	SCREW	1
13	10002991	垫圈	SPRING WASHER	1
15	10004415	前连接板	BRACKET	1
16	10010969	螺钉	SCREW	2
17	10004416	垫圈	WASHER	2
18	10004420	折边座	BRACKET	1
19	10004414	螺钉	SCREW	2
20	10004412	折边座固定板	BRACKET	1
21	10010964	螺钉	SCREW	1
22	10010966	折边座调节螺钉	SCREW	1
23	10004421	螺钉	SCREW	1
24	10010967	垫圈	WASHER	1
25	10004419	扳动板	ADJUSTING PLATE	1
26	10010965	螺钉	SCREW	1
27	10004417	折边嘴	FOLDER ASSEMBLY	1
28	10004429	折边上护板组件	AUXILIARY PLATE	1
29	10004443	螺钉	SCREW	1
30	10004446	弹簧板	FLAT SPRING	1
31	10004124	大盖	CLOTH PLATE ASSEMBLY	1
32	10010010	横盖	SIDE COVER	1
33	10004452	压脚辅助板	UNCURLER	1
34	10004450	垫圈	WASHER	1

23、专用部件 (2)/SPECIFIC PARTS(2)

752-13 A, 13H

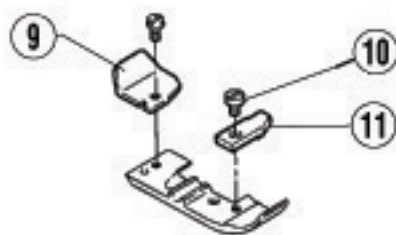
过带装置 (Tape attaching)



752-16S2,17A

卷边缝 · 平缝

(Turn down hemming · Plain seaming)



专用部件(2)

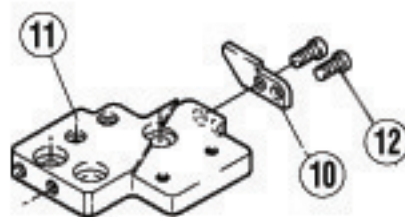
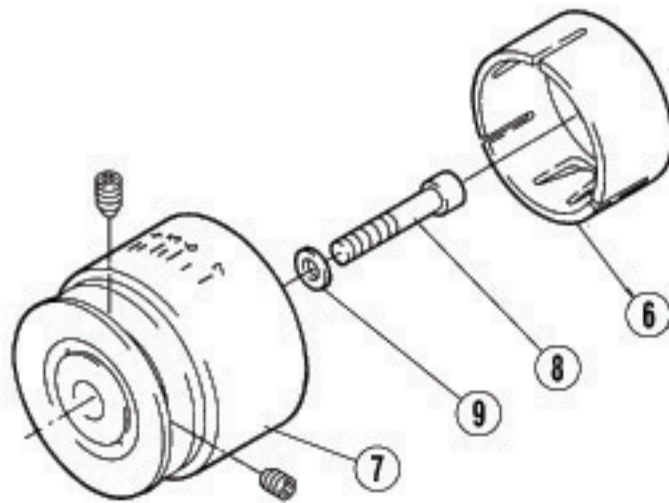
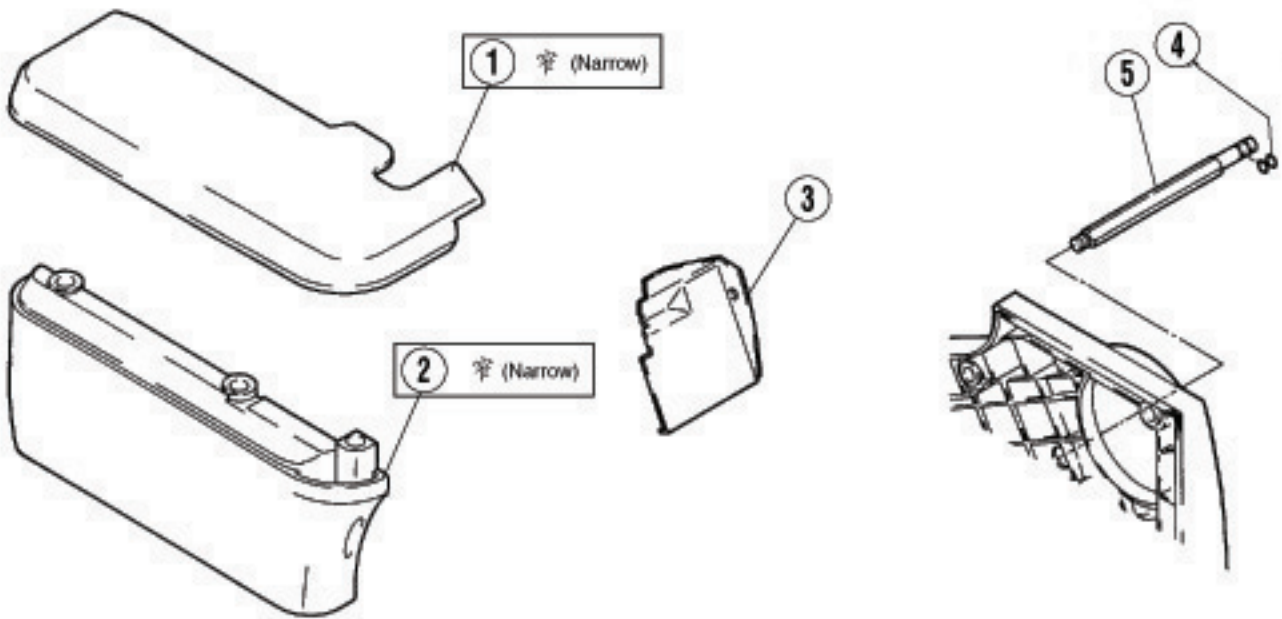
SPECIFIC PARTS(2)

序号 No.	件号 Pars No.	名称	Description	数量 Number
1	10002662	上弯针球曲柄	CRANK	1
2	10009163	螺钉	BOLT	2
3	*	针板	NEEDLE PLATE	1
4	10004344	导向带	FABRIC GUARD	1
5	10004343	螺钉	SCREW	1
6	10003190	压脚辅助板	UNCURLER	1
7	10010870	中导带架	TAPE TAKE-UP	1
8	10010895	上导带架	TAPE GUIDE	1
9	10003190	压脚辅助板	UNCURLER	1
10	10003191	螺钉	SCREW	1
11	10003187	挡板	FABRIC GUARD	1
12	10004358	上弯针球曲柄	CRANK	1

## 24、专用部件 (3)/SPECIFIC PARTS(3)

752-180,181

回针倒缝  
(Backlatching)





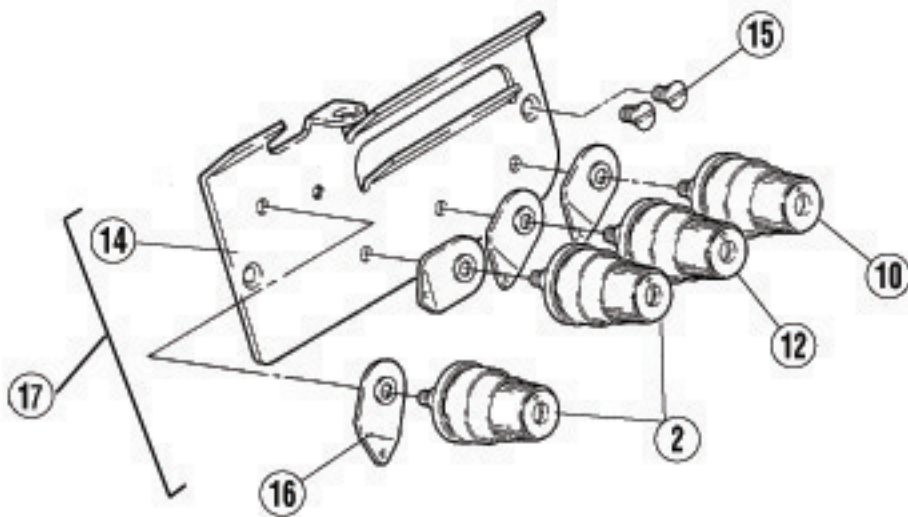
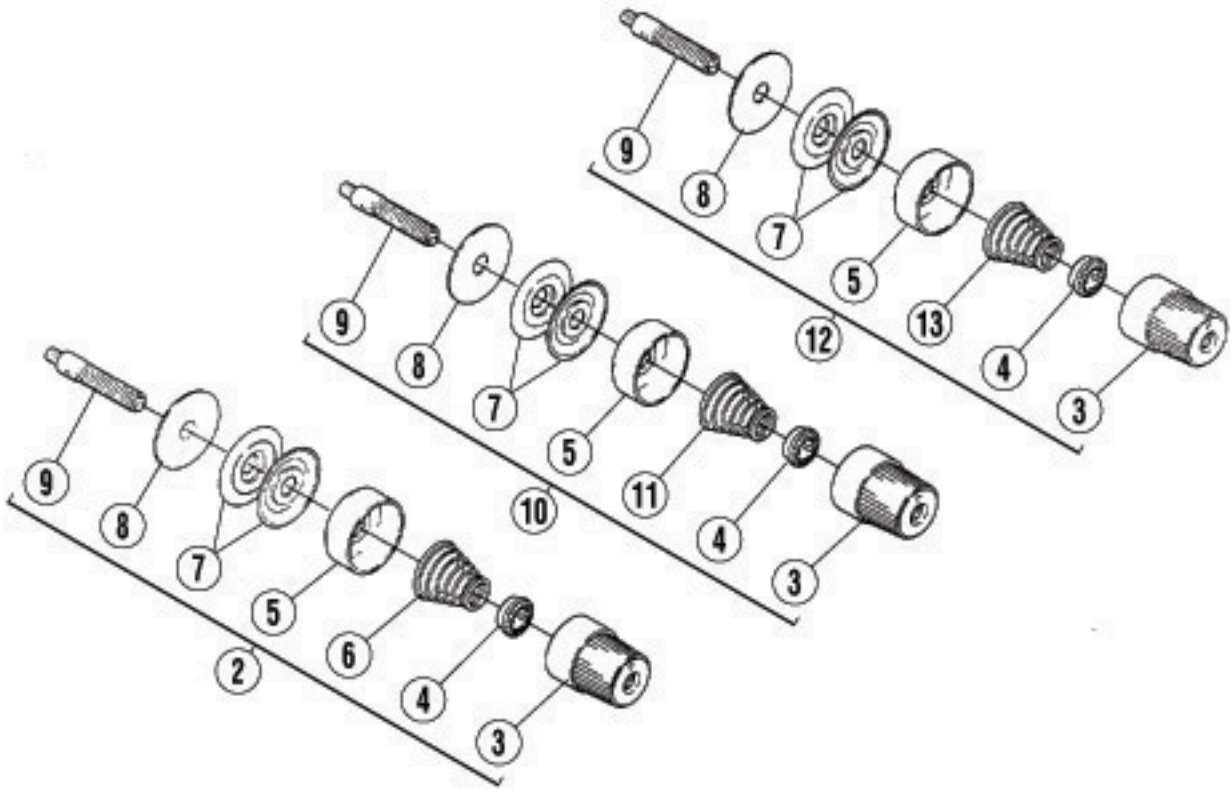
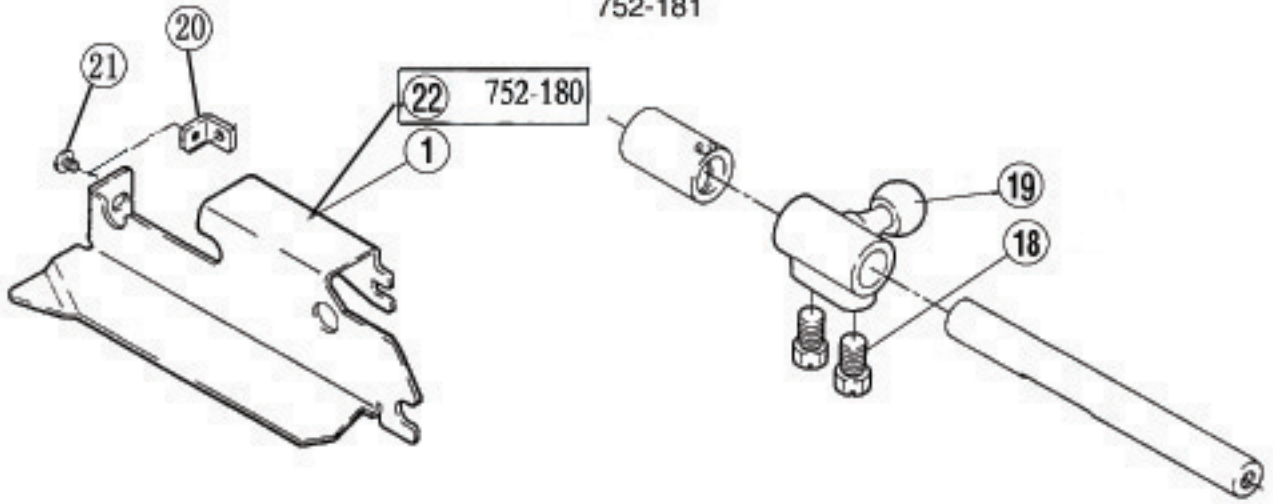
专用部件(3)

SPECIFIC PARTS(3)

序号 No.	件号 Pars No.	名称	Description	数量 Number
1	10012758	大盖组件	CLOTH PLATE ASSEMBLY	1
2	10010010	横盖	SIDE COVER	1
3	10012719	前盖中	FRONT COVER	1
4	10009647	O型圈	O RING	2
5	10009646	支柱	PIN	1
6	10014397	手轮盖	PULLEY COVER	1
7	20003820	手轮	PULLEY	1
8	10014387	螺钉	BOLT	1
9	10003249	垫圈	WASHER	1
10	10012761	针板键	NEEDLE PLATE KEY	1
11	10012762	针板前安装板	BRACKET	1
12	10010888	螺钉	SCREW	2

25、专用部件(4)/SPECIFIC PARTS(4)

752-181



专用部件(4)

SPECIFIC PARTS(4)

序号 No.	件号 Pars No.	名称	Description	数量 Number
1	10012661	内盖板	FABRIC GUARD	1
2	10003110	直针夹线器组件	THREAD TENSION ASSEMBLY	2
3	10009531	夹线螺母	NUT	1
4	10003111	防松垫	RATCHET	1
5	10003113	夹线碗	CUP	1
6	10009534	弹簧	SPRING	1
7	10003116	夹线盘	TENSION DISC	2
8	10003117	布垫	FELT	1
9	10003112	螺钉	SCREW STUD	1
10	10003114	下弯针夹线器组件	THREAD TENSION ASSEMBLY	1
11	10009532	弹簧	SPRING	1
12	10003118	上弯针夹线器组件	THREAD TENSION ASSEMBLY	1
13	10009533	弹簧	SPRING	1
14	10005979	夹线器座	THREAD GUIDE	1
15	10009290	螺钉	SCREW	2
16	10003115	过线板	THREAD GUIDE	4
17	10012814	直、弯针夹线器组件	THREAD TENSION ASSEMBLY	1
18	10009163	螺钉	BOLT	2
19	10002662	上弯针球曲柄	CRANK	1
20	10012660	内盖板支架	BRACKET	1
21	10012659	螺钉	SCREW	1
22	10013123	内盖板	FABRIC GUARD	1

## 26、专用部件 (5)/SPECIFIC PARTS(5)

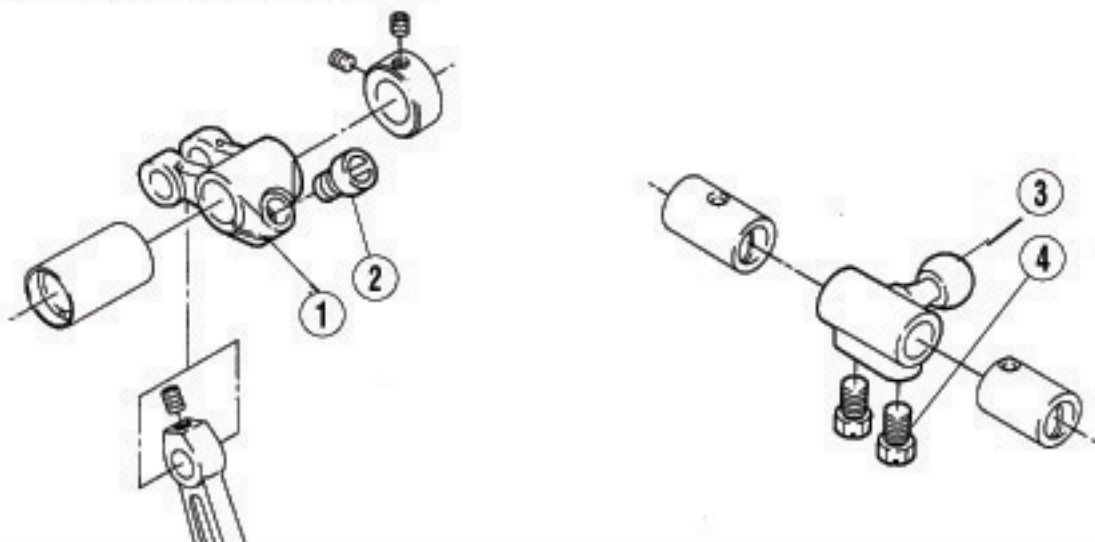
732-86A,355

-355:中厚料六线包缝

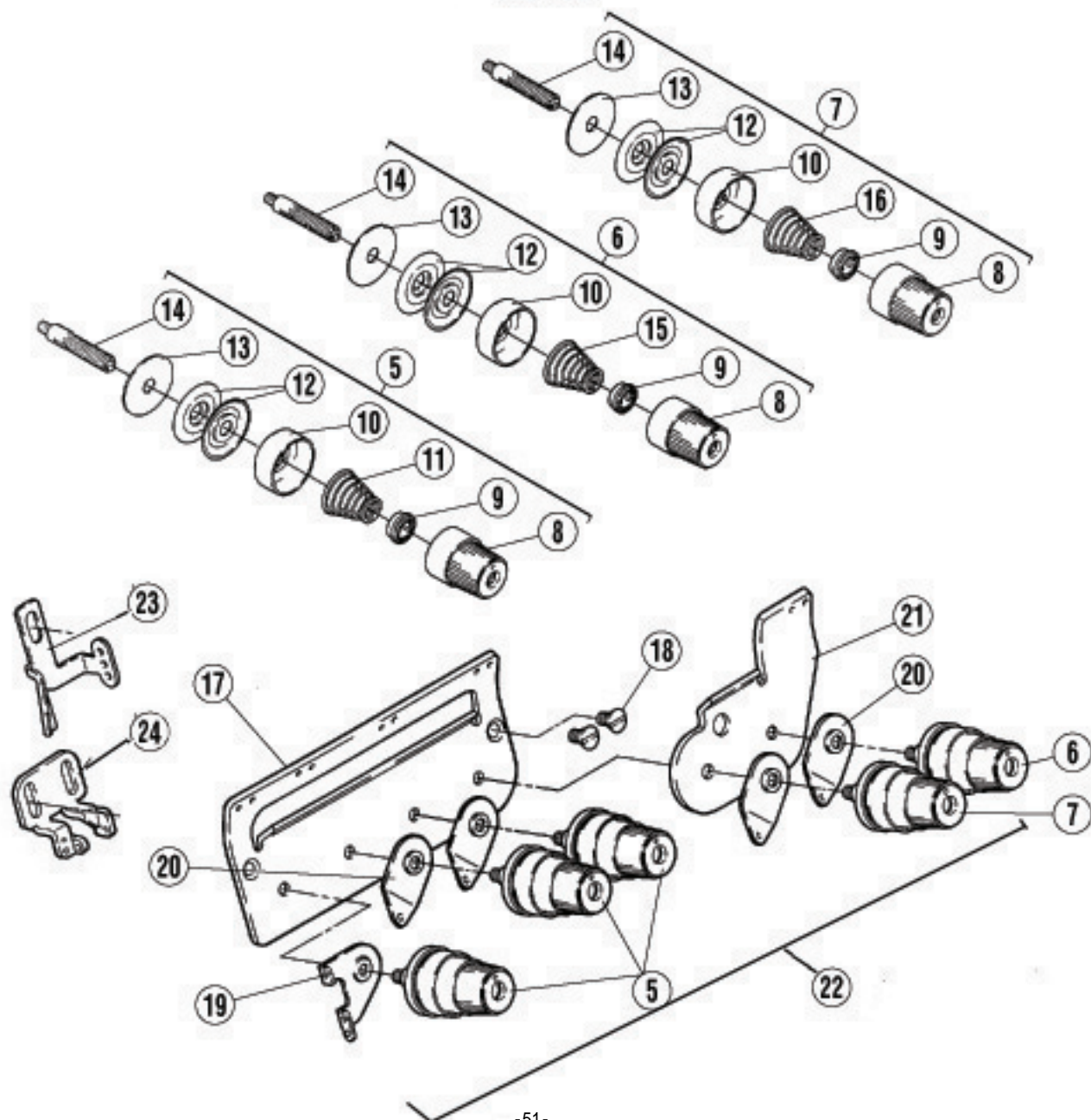
-86A:机厚料五线包缝

(-355:Plain seaming on medium weight fabric)

(-86:Plain seaming on heavy weight fabric)



732-355



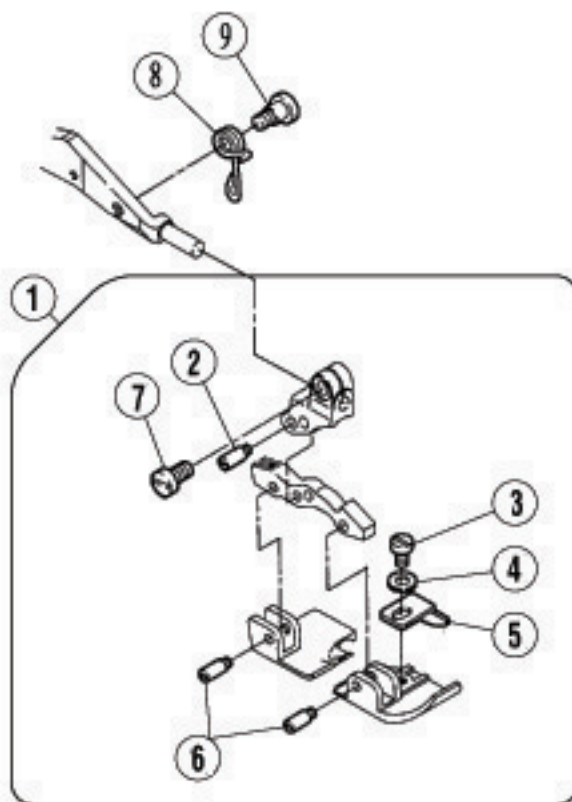
专用部件(5)

SPECIFIC PARTS(5)

序号 No.	件号 Pars No.	名称	Description	数量 Number
1	10012245	针杆传动轴曲柄	CRANK	1
2	10009164	螺钉	BOLT	1
3	10004358	上弯针球曲柄	CRANK	1
4	10009163	螺钉	BOLT	2
5	10003110	直针夹线器组件	THREAD TENSION ASSEMBLY	3
6	10003114	下弯针夹线器组件	THREAD TENSION ASSEMBLY	1
7	10003118	上弯针夹线器组件	THREAD TENSION ASSEMBLY	1
8	10009531	夹线螺母	NUT	1
9	10003111	防松垫	RATCHET	1
10	10003113	夹线碗	CUP	1
11	10009534	弹簧	SPRING	1
12	10003116	夹线盘	TENSION DISC	2
13	10003117	布垫	FELT	1
14	10003112	螺钉	SCREW STUD	1
15	10009532	弹簧	SPRING	1
16	10009533	弹簧	SPRING	1
17	10003109	夹线器座	THREAD GUIDE	1
18	10009290	螺钉	SCREW	2
19	10004185	二孔过线板	THREAD GUIDE	1
20	10003115	过线板	THREAD GUIDE	4
21	10005934	下弯针夹线器座	THREAD GUIDE	1
22	10012477	直、弯针夹线器组件	THREAD TENSION ASSEMBLY	1
23	10012479	直针右过线架	THREAD GUIDE	1
24	10012478	直针左过线架	THREAD GUIDE	1

27、专用部件 (6)/SPECIFIC PARTS(6)

732-86A



专用部件(6)

SPECIFIC PARTS(6)

序号 No.	件号 Pars No.	名称	Description	数量 Number
1	*	压脚组件	PRESSER FOOT ASSEMBLY	1
2	10003268	销	PIN	1
3	10005223	螺钉	SCREW	1
4	10005222	垫圈	WASHER	1
5	10012261	挡板	FABRIC GUARD	1
6	10003268	销	PIN	2
7	10009580	螺钉	SCREW	1
8	10012260	弹簧	SPRING	1
9	10009501	螺钉	SCREW	1



机器型号 MACHINE TYPE /SPEC	规格		针板 NEEDLE PLATE	提线架 THREAD TAKE-UP	主送料牙组件 MAIN FEED DOG ASSM.	主送料牙主体 MAIN FEED DOG	辅助送料牙 AUX. FEED DOG	差动送料牙 DIFF. FEED DOG	压脚组件 PRESSER FOOT ASSM.	上弯针 UPPER LOOPER	下弯针 LOWER LOOPER	链弯针 CHAINSTITCH LOOPER
	GAUGE NG	SW										
732-38A	3	4	10010549	10009523	10010552	10004166	10004167	10009628	10010553	10009403	10009516	10009602
732-70A	5	5	10003338	10009523	10012455	10005715	10005694	10012465	10009652	10009403	10009516	10009602
732-86A	5	6	10012263	10012262	10012264	10005133	10005134	10012287	10012259	10012288	10009516	10009602
732-355	3×2	4	10009677	10012755	10010552	10004166	10004167	10009628	10012698	10011061	10009516	10009602



机器型号 MACHINE TYPE /SPEC	规格		上刀 UPPER KNIFE	下刀 LOWER KNIFE	直针护针				链针护针	机针接头 NEEDLE HOLDER	机针 NEEDLE
	GAUGE NG	SW			OVERLOCK FRONT	NEEDLE REAR	CHAINSTITCH FRONT	NEEDLE REAR			
732-38A	3	4	10009611	10009765	10009674	10009517	10009517	10010551	10010550	10009254	10004900
732-70A	5	5	10009611	10009765	10009674	10009517	10009517	10009677	10009675	10010110	10004900
732-86A	5	6	10009611	10009765	10009674	10009517	10009517	10009677	10009675	10010110	10004901
732-355	3×2	4	10009611	10009765	10009674	10009517	10009517	10009677	10009675	10010039	10004900



机器型号 MACHINE TYPE /SPEC	规格		针板 NEEDLE PLATE	提线架 THREAD TAKE-UP	主送料牙组件 MAIN FEED DOG ASSM.	主送料牙主体 MAIN FEED DOG	辅助送料牙 AUX. FEED DOG	差动送料牙 DIFF. FEED DOG	压脚组件 PRESSER FOOT ASSM.	吐线舌 PRESSER FOOT FINGER	上弯针 UPPER LOOPER	下弯针 LOWER LOOPER
	NG	SW										
752-01	-	4	10010961	10009523	10010977	10004426	10003208	10010974	10011036	10004451	10009609	10009516
752-13A	2	4	10012190	10009523	10009579	10003209	10003208	10009610	10010867	10004342	10011061	10009516
752-13H	2	4	10012190	10009523	10009579	10003209	10003208	10009610	10010867	10004342	10013135	10009516
752-16S2	-	1.5	10013122	10012262	10013121	10006250	10006251	10013120	10009612	10004337	10009609	10009516
752-17A	-	4	10009578	10009523	10009579	10003209	10003208	10009610	10011305	10004564	10009609	10009516
752-180	-	4	10013132	10009523	10013130	10006268	10003208	10013133	10013129	10006253	10009609	10009516
752-181	2	4	10012760	10009523	10012809	10005899	10005903	10012810	10012811	10005977	10012759	10009516

机器型号 MACHINE TYPE /SPEC	规格		上刀 UPPER KNIFE	下刀 LOWER KNIFE	护针		机针接头 NEEDLE HOLDER	机针 NEEDLE
	NG	SW			前	后		
	NG	SW	FRONT	REAR				
752-01	-	4	10009611	10010866	10009313	10009517	10009296	10004899
752-13A	2	4	10009611	10010866	10009313	10009517	10010104	10004899
752-13H	2	4	10009611	10010866	10009313	10009517	10010104	10004899
752-16S2	-	1.5	10009611	10010866	10009313	10009517	10009296	10004899
752-17A	-	4	10009611	10010866	10009313	10009517	10009296	10004899
752-180	-	4	10009611	10010866	10009313	10009517	10009296	10004899
752-181	2	4	10009611	10010866	10009313	10009517	10010104	10004899